

R2E225-BD92-09/A05

AC centrifugal fan

backward curved, single inlet



R2E225-BD92-09/A05 ebmpapst Datasheet

Barbara 2
sales@fansco.com

74673 Mulfingen
www.fansco.com

Phone: +49 7938 81-0

Fax: +49 7938 81-110

Nominal data

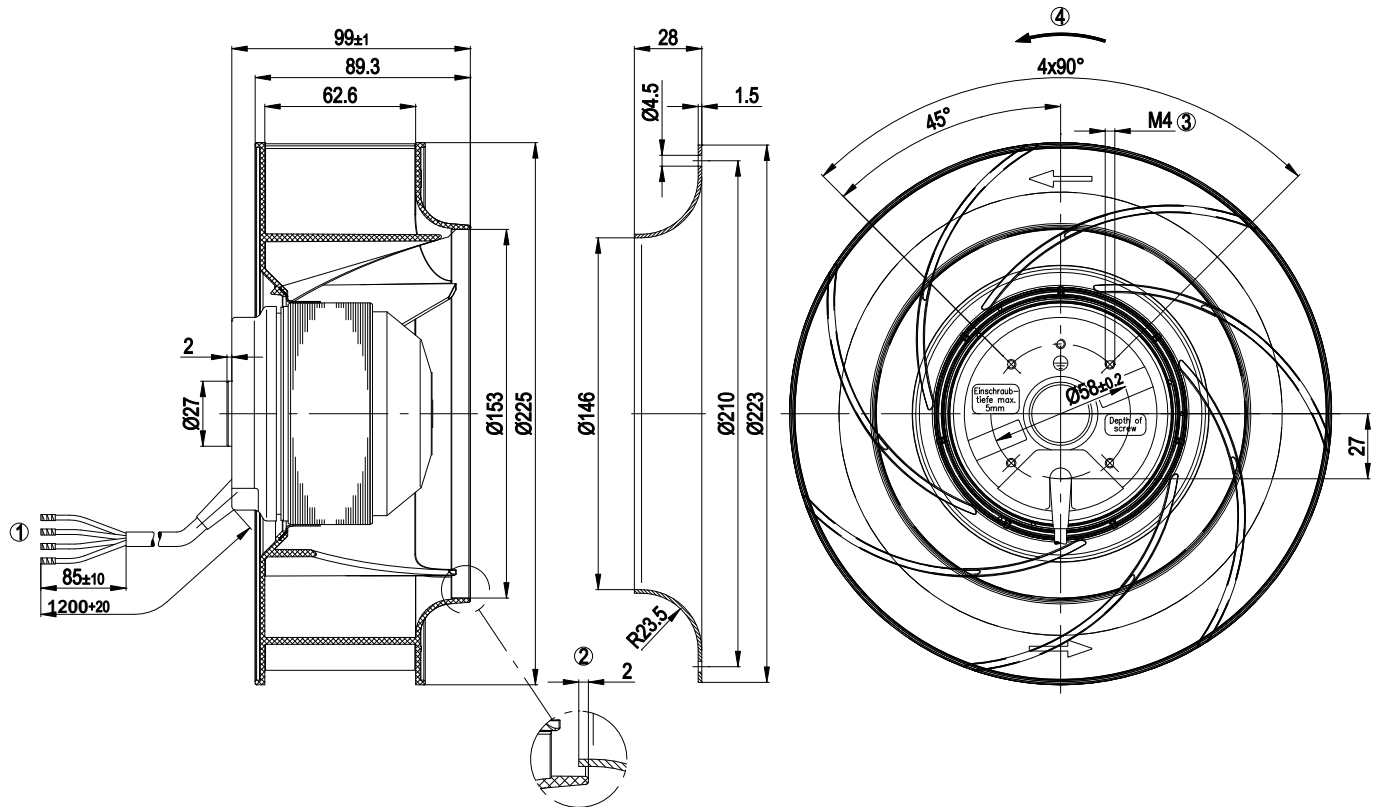
Type	R2E225-BD92-09/A05		
Motor	M2E068-DF		
Phase		1~	1~
Nominal voltage	[V]	230	230
Frequency	[Hz]	50	60
Type of data definition		rfa	rfa
Valid for approval / standard		CE	CE
Speed	[min ⁻¹]	2650	2950
Power input	[W]	135	200
Current draw	[A]	0.6	0.88
Motor capacitor	[μF]	4	4
Capacitor voltage	[VDB]	450	450
Min. back pressure	[Pa]	0	0
Max. ambient temperature	[°C]	55	55
Air flow	[m ³ /h]	1200	1340
Back pressure	[Pa]	0	0
Sound pressure level	[dB(A)]	69	71

ml = max. load · me = max. efficiency · rfa = running at free air · cs = customer specs · cu = customer unit
Subject to alterations

Technical features

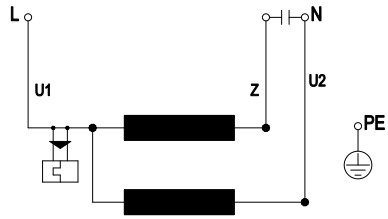
Leakage current	< 0,75 mA
Size	225 mm
Operation mode	S1
Mounting position	Shaft horizontal or rotor on bottom; rotor on top on request
Direction of rotation	Clockwise, seen on rotor
Insulation class	"F"
Cable exit	Variable
Condensate discharge holes	Rotor-side
Bearing-motor	Ball bearing
Mass	2.28 kg
Material of impeller	PA plastic 6, fiberglass-reinforced
Motor protection	Thermal overload protector (TOP) wired internally
Product conforming to standard	CE; EN 60335-1
Surface of rotor	Coated in black
Number of blades	7
Type of protection	IP 44
Protection class	I
Approval	CCC

Product drawing



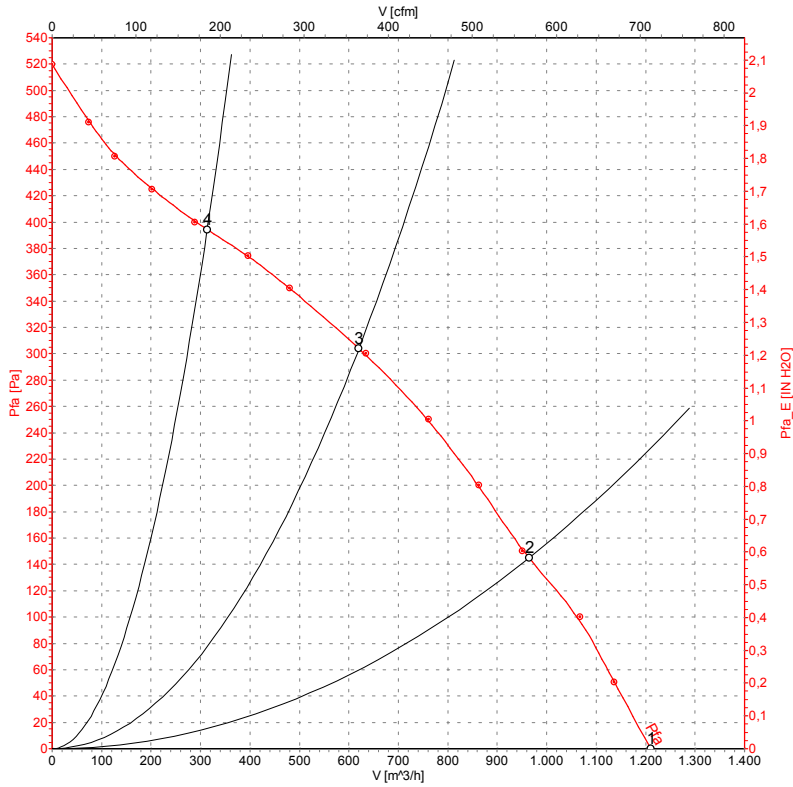
1	Connection line silicone, 4x brass lead tips crimped
2	Accessory part: Inlet nozzle 96358-2-4013, not included in the standard scope of delivery
3	Screw depth max. 5 mm
4	Direction of rotation clockwise, seen on rotor

Connection screen



U1	blue	Z	brown	U2	black
PE	green/yellow				

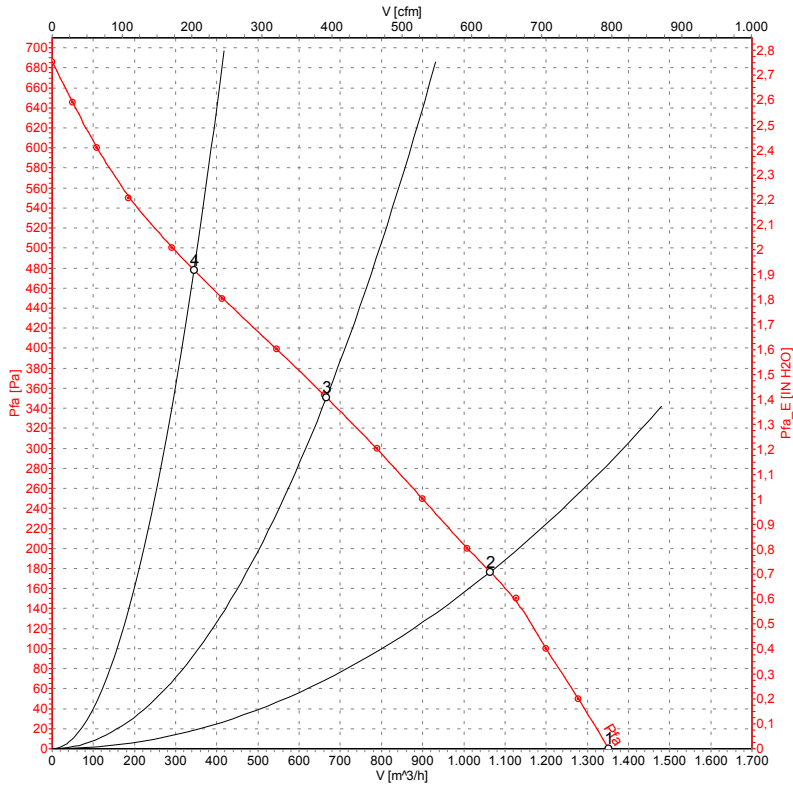
Charts: Air flow 50 Hz



Measured values

	U	f	n	P ₁	I	Ŷ	P _{fa}
	[V]	[Hz]	[min ⁻¹]	[W]	[A]	[m³/h]	[Pa]
1	230	50	2705	129	0.56	1210	0
2	230	50	2660	138	0.60	965	144
3	230	50	2595	150	0.65	620	305
4	230	50	2670	135	0.59	315	394

Charts: Air flow 60 Hz



Measured values

	U	f	n	P ₁	I	\hat{V}	P _{fa}
	[V]	[Hz]	[min ⁻¹]	[W]	[A]	[m ³ /h]	[Pa]
1	230	60	3025	195	0.86	1350	0
2	230	60	2905	207	0.91	1065	176
3	230	60	2780	216	0.94	665	351
4	230	60	2935	202	0.88	345	478