

AC centrifugal fan

backward curved, single inlet

R2E225-BD58-60 ebmpapst Datasheet

sales@fansco.com

www.fansco.com

Limited partnership · Headquarters Muldingen
County court Stuttgart · HRA 590344

General partner Elektrobau Muldingen GmbH · Headquarters Muldingen
County court Stuttgart · HRB 590142

Nominal data

Type	R2E225-BD58-60	
Motor	M2E068-DF	
Phase		1~
Nominal voltage	VAC	230
Frequency	Hz	50
Type of data definition		cu
Valid for approval / standard		-
Speed	min ⁻¹	2300
Power input	W	150
Current draw	A	0.66
Motor capacitor	µF	4
Capacitor voltage	VDB	400
Capacitor standard		P2 (CE)
Min. back pressure	Pa	0
Min. ambient temperature	°C	-25
Max. ambient temperature	°C	60
Starting current	A	0.79

ml = Max. load · me = Max. efficiency · fa = Running at free air · cs = Customer specs · cu = Customer unit
Subject to alterations



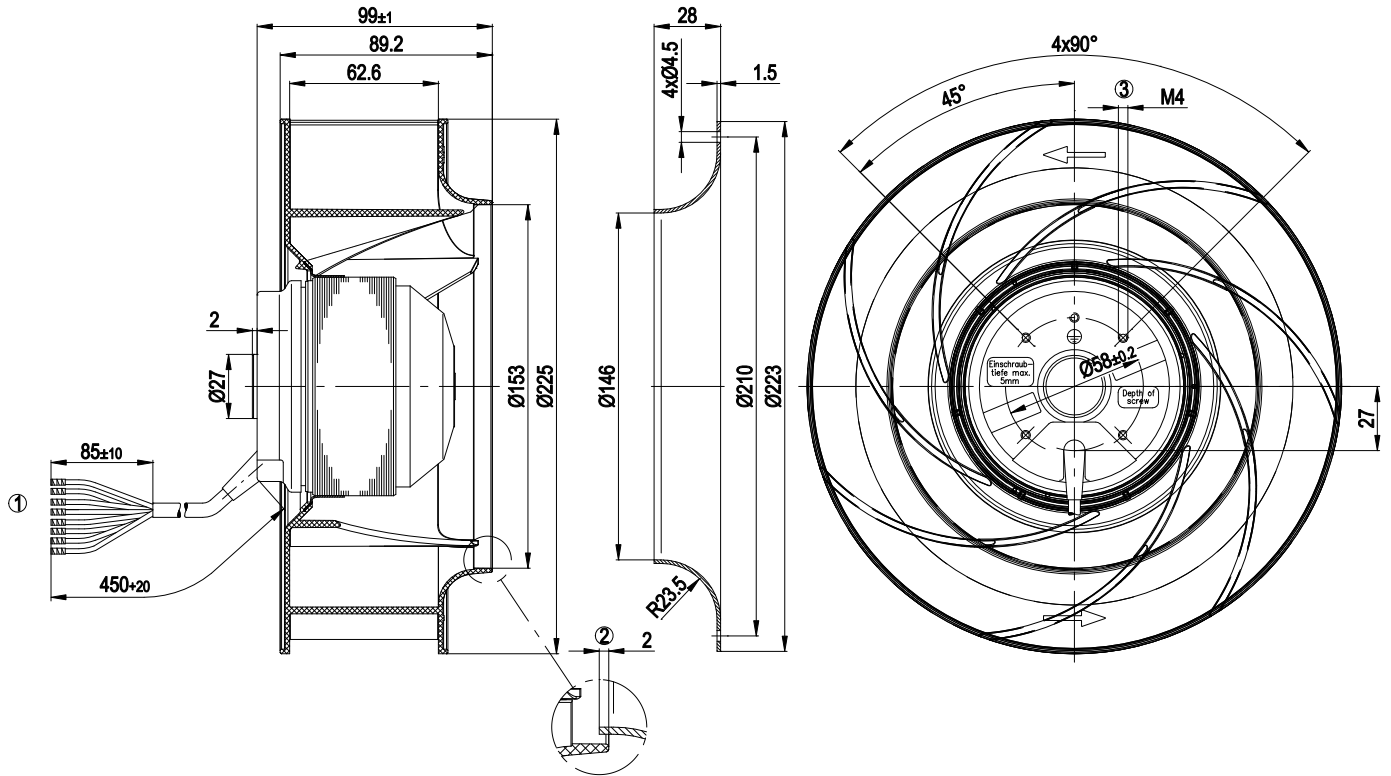
Technical features

Mass	2.3 kg
Size	225 mm
Surface of rotor	Coated in black
Material of impeller	Plastic PA66, fibreglass-reinforced, round sheet-metal plate coated in black
Number of blades	7
Direction of rotation	Clockwise, seen on rotor
Type of protection	IP 44
Insulation class	"F"
Humidity class	F1-2
Max. permissible ambient motor temp. (transp./ storage)	+ 80 °C
Min. permissible ambient motor temp. (transp./storage)	- 40 °C
Mounting position	Shaft horizontal or rotor on bottom; rotor on top on request
Condensate discharge holes	Rotor-side
Operation mode	S1
Motor bearing	Ball bearing
Speed steps	4
Touch current acc. IEC 60990 (measuring network Fig. 4, TN system)	< 0.75 mA
Motor protection	Thermal overload protector (TOP) wired internally
Cable exit	Variable
Protection class	I (if protective earth is connected by customer)
Product conforming to standard	EN 60335-1

AC centrifugal fan

backward curved, single inlet

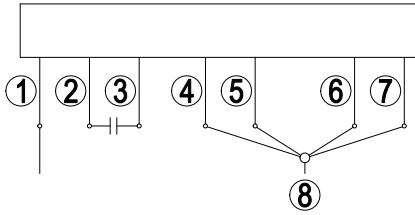
Product drawing



- | | |
|---|---|
| 1 | Connection line Dipotherm, 8x brass lead tips crimped |
| 2 | Accessory part: Inlet nozzle 96358-2-4013, not included in the standard scope of delivery |
| 3 | Depth of screw max. 5 mm |



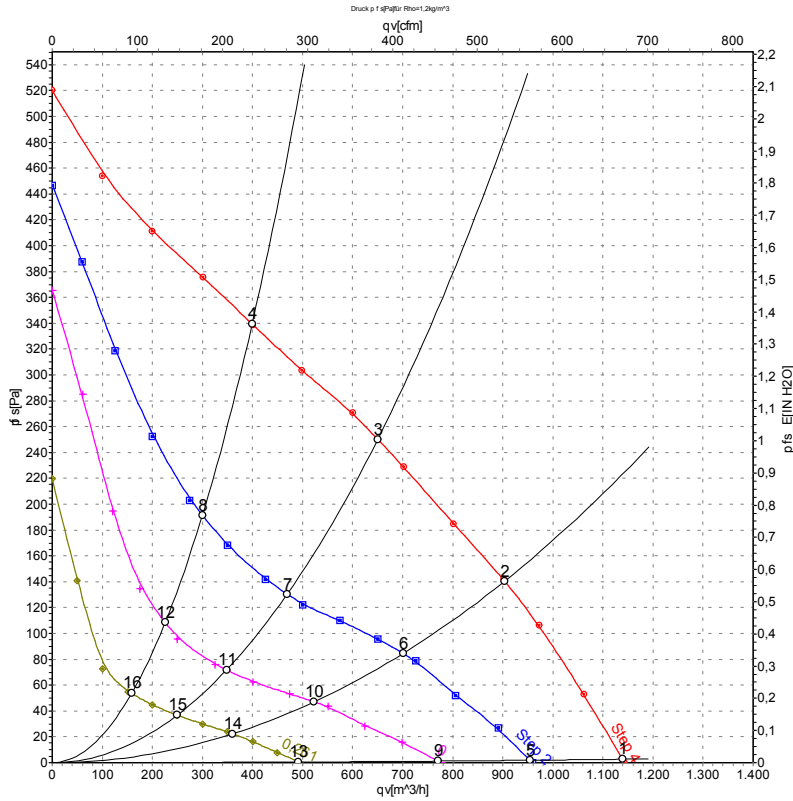
Connection screen



Note: fast speed (step IV); slow speed (step I); the switch must interrupt the circuit during the changeover.

1	= N = blue
2	brown
3	yellow
4	Step I black 1 / white
5	Step II black 2 / red
6	Step III black 3 / grey
7	Step IV black 4 / black
8	L1

Charts: Air flow 50 Hz



Measurement: LU-122444
 Measurement: LU-122451
 Measurement: LU-122458
 Measurement: LU-122460

Air performance measured as per ISO 5801 Installation category A. For detailed information on the measuring set-up, please contact ebmpapst. Suction-side noise levels: L_{wA} measured as per ISO 13347 / L_{pA} measured with 1m distance to fan axis. The values given are valid under the measuring conditions mentioned above and may vary according to the actual installation situation. With any deviation from the standard set-up, the specific values have to be checked and reviewed with the unit installed.

Measured values

	Stage	U	f	n	P _e	I	qv	p _{fs}
		V	Hz	min ⁻¹	W	A	m ³ /h	Pa
1	4	230	50	2600	115	0.53	1140	0
2	4	230	50	2495	128	0.57	905	140
3	4	230	50	2425	135	0.60	650	250
4	4	230	50	2455	131	0.58	400	340
5	3	230	50	2175	89	0.44	955	0
6	3	230	50	1935	98	0.47	700	85
7	3	230	50	1765	103	0.48	470	130
8	3	230	50	1845	100	0.47	300	191
9	2	230	50	1760	86	0.41	770	0
10	2	230	50	1450	91	0.43	525	47
11	2	230	50	1310	93	0.43	350	72
12	2	230	50	1385	91	0.43	225	108
13	1	230	50	1155	79	0.37	490	0
14	1	230	50	1010	81	0.38	360	22
15	1	230	50	930	81	0.38	250	37
16	1	230	50	975	80	0.38	160	53

U = Supply voltage · f = Frequency · n = Speed · P_e = Power input · I = Current draw · qv = Air flow · p_{fs} = Pressure increase

