

R2E220-RB76-17 ebmpapst Datasheet

sales@fansco.com

www.fansco.com

Limited partnership · Headquarters Muldingen
 County court Stuttgart · HRA 590344

General partner Elektrobau Muldingen GmbH · Headquarters Muldingen
 County court Stuttgart · HRB 590142

Nominal data

Type	R2E220-RB76-17	
Motor	M2E068-CF	
Phase		1~
Nominal voltage	VAC	230
Frequency	Hz	50
Type of data definition		ml
Valid for approval / standard		CE
Speed (rpm)	min ⁻¹	2500
Power input	W	105
Current draw	A	0.47
Motor capacitor	µF	2.5
Capacitor voltage	VDB	400
Capacitor standard		S2 (CE)
Min. back pressure	Pa	0
Min. ambient temperature	°C	-25
Max. ambient temperature	°C	70
Starting current	A	0.85

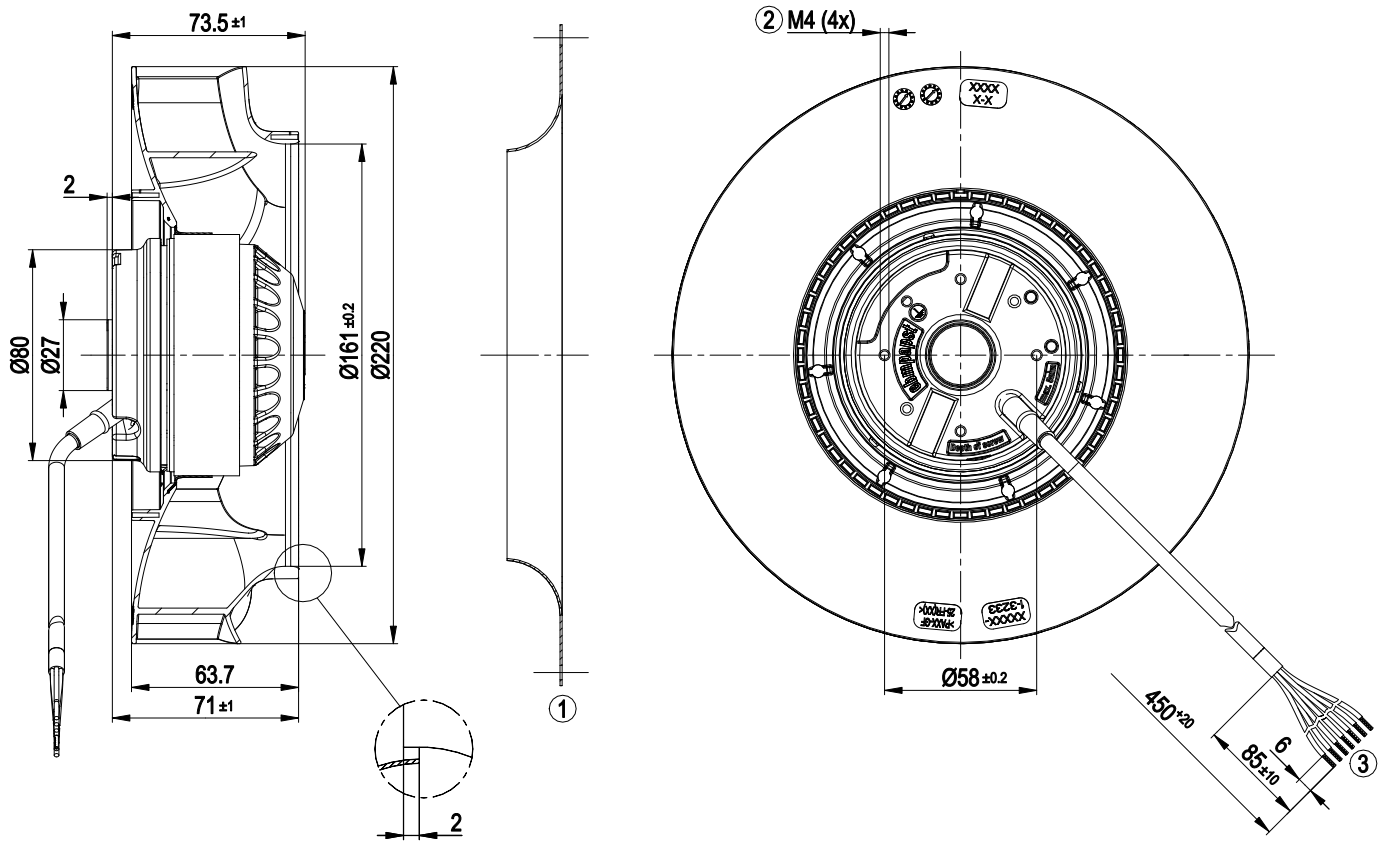
ml = Max. load · me = Max. efficiency · fa = Running at free air · cs = Customer specs · cu = Customer unit
 Subject to alterations



Technical features

Mass	1.8 kg
Size	220 mm
Surface of rotor	Coated in black
Material of impeller	PA plastic
Direction of rotation	Clockwise, seen on rotor
Type of protection	IP 44; Depending on installation and position as per EN 60034-5
Insulation class	"F"
Humidity (F)/environmental protection class (H)	H0+
Max. permissible ambient motor temp. (transp./ storage)	+ 80 °C
Min. permissible ambient motor temp. (transp./storage)	- 40 °C
Mounting position	Shaft horizontal or rotor on bottom; rotor on top on request
Condensate discharge holes	Rotor-side
Operation mode	S1
Motor bearing	Ball bearing
Speed steps	3
Touch current acc. IEC 60990 (measuring network Fig. 4, TN system)	< 0.75 mA
Motor protection	Temperature limiter manual reset
Cable exit	Variable
Protection class	I (if protective earth is connected by customer)
Product conforming to standard	EN 60335-1; CE

Product drawing



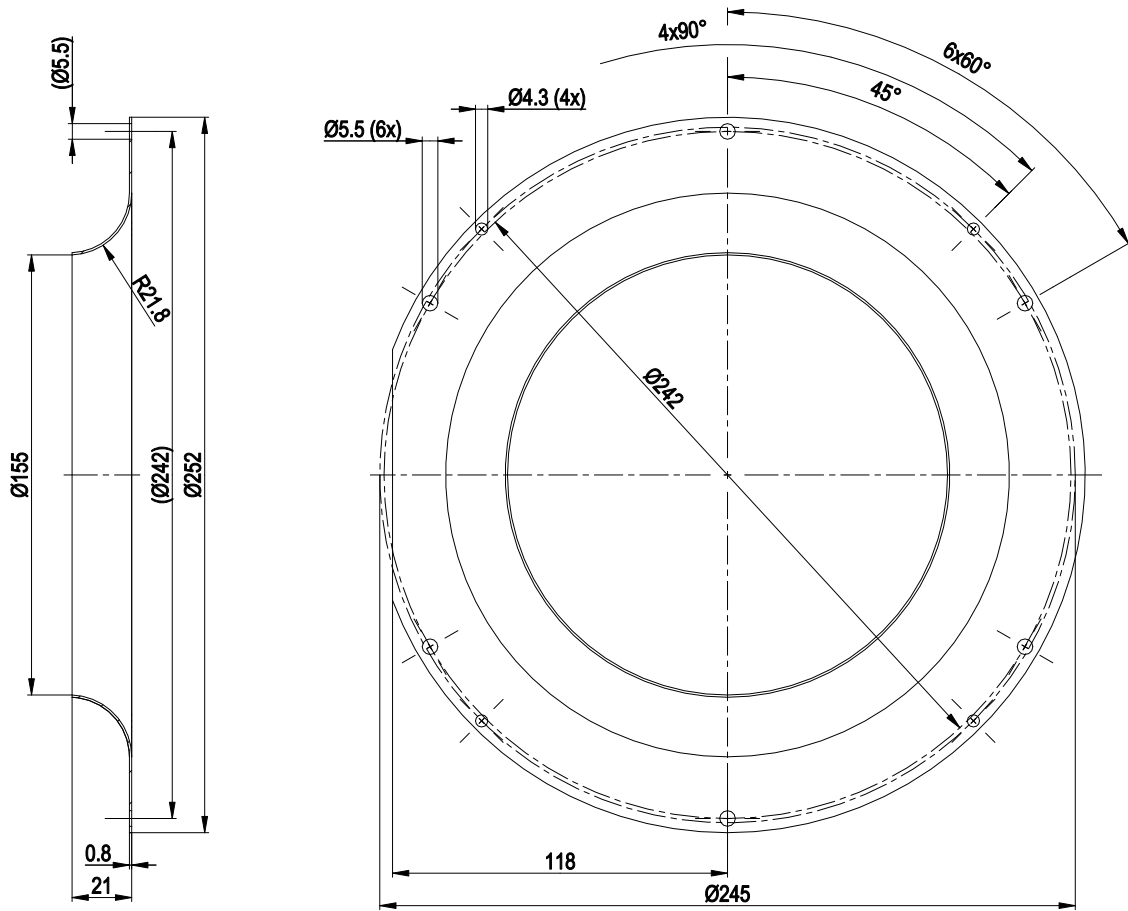
1	Accessory part: Inlet nozzle 09609-2-4013 not included in scope of delivery
2	Depth of screw max. 5 mm
3	Connection line halogen- and silicone-free 7x 0.5 mm ² , 7x lead tips crimped



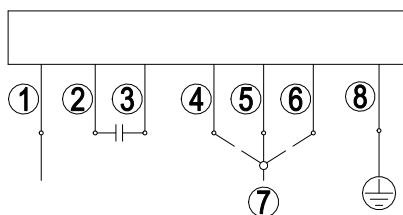
AC centrifugal fan - RadiCal

backward curved, single inlet

Accessory part



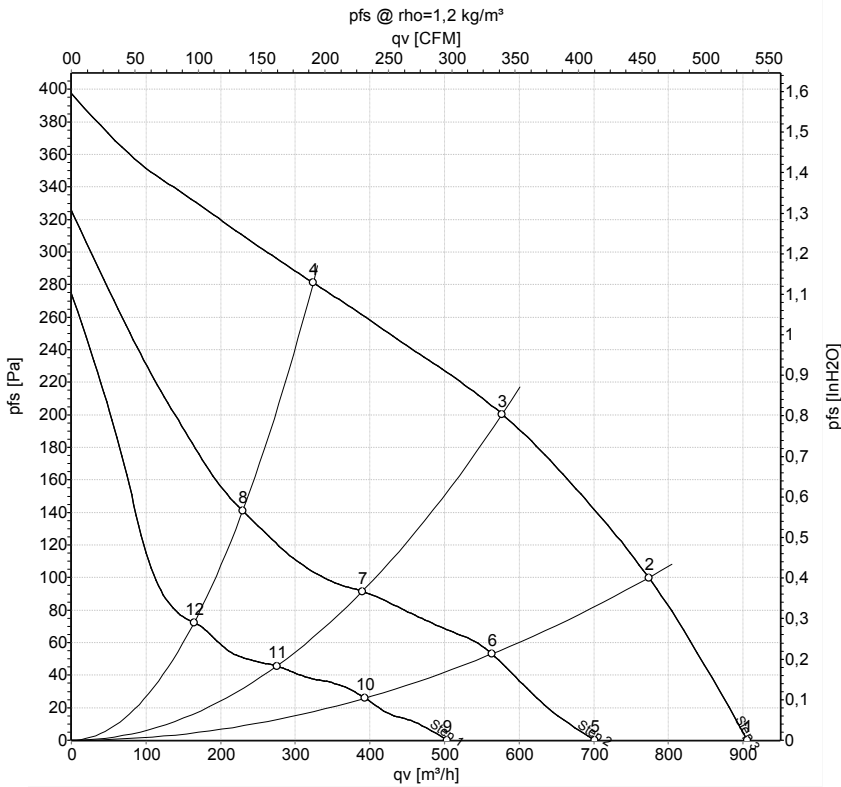
Connection screen



Note: Fast speed (level III); slow speed (level I)

1	blue (N)	2	brown	3	yellow
4	Level 1 (white)	5	Level 2 (grey)	6	Level 3 (black)
7	L1	8	PE (green/yellow)		

Charts: Air flow 50 Hz



Measurement: LU-157848-1
 Measurement: LU-157849-1
 Measurement: LU-157850-1

Air performance measured as per ISO 5801
 Installation category A. For detailed
 information on the measuring set-up, please
 contact ebm-papst. Suction-side noise
 levels: LwA measured as per ISO 13347 /
 LpA measured with 1m distance to fan axis.
 The values given are valid under the
 measuring conditions mentioned above and
 may vary according to the actual installation
 situation. With any deviation from the
 standard set-up, the specific values have to
 be checked and reviewed with the unit
 installed.

Measured values

	Stage	U	f	n	P _e	I	q _v	P _{fs}	q _v	P _{fs}
		V	Hz	min ⁻¹	W	A	m ³ /h	Pa	cfm	inH2O
1	3	230	50	2605	91	0.41	905	0	535	0.00
2	3	230	50	2560	96	0.43	775	100	455	0.40
3	3	230	50	2500	105	0.47	575	200	340	0.80
4	3	230	50	2545	97	0.44	325	280	190	1.12
5	2	230	50	2020	86	0.38	700	0	415	0.00
6	2	230	50	1875	90	0.39	565	53	330	0.21
7	2	230	50	1710	95	0.41	390	92	230	0.37
8	2	230	50	1810	91	0.40	230	141	135	0.57
9	1	230	50	1490	85	0.37	505	0	295	0.00
10	1	230	50	1320	86	0.38	395	26	230	0.10
11	1	230	50	1205	87	0.38	275	46	160	0.18
12	1	230	50	1295	86	0.37	165	73	95	0.29

U = Supply voltage · f = Frequency · n = Speed (rpm) · P_e = Power input · I = Current draw · q_v = Air flow · p_{fs} = Pressure increase

