

R2E220-AB06-84 ebmpapst Datasheet
 sales@fansco.com
 www.fansco.com

Limited partnership · Headquarters Mulfingen
 County court Stuttgart · HRA 590344

General partner Elektrobau Mulfingen GmbH · Headquarters Mulfingen
 County court Stuttgart · HRB 590142

Nominal data

Type	R2E220-AB06-84		
Motor	M2E068-CF		
Phase		1~	1~
Nominal voltage	VAC	230	230
Frequency	Hz	50	60
Type of data definition		fa	fa
Valid for approval / standard		CE	CE
Speed (rpm)	min ⁻¹	2700	3050
Power input	W	85	115
Current draw	A	0.38	0.51
Motor capacitor	µF	2.5	2.5
Capacitor voltage	VDB	400	400
Min. back pressure	Pa	0	0
Min. ambient temperature	°C	-25	-25
Max. ambient temperature	°C	45	45
Starting current	A	0.85	0.85

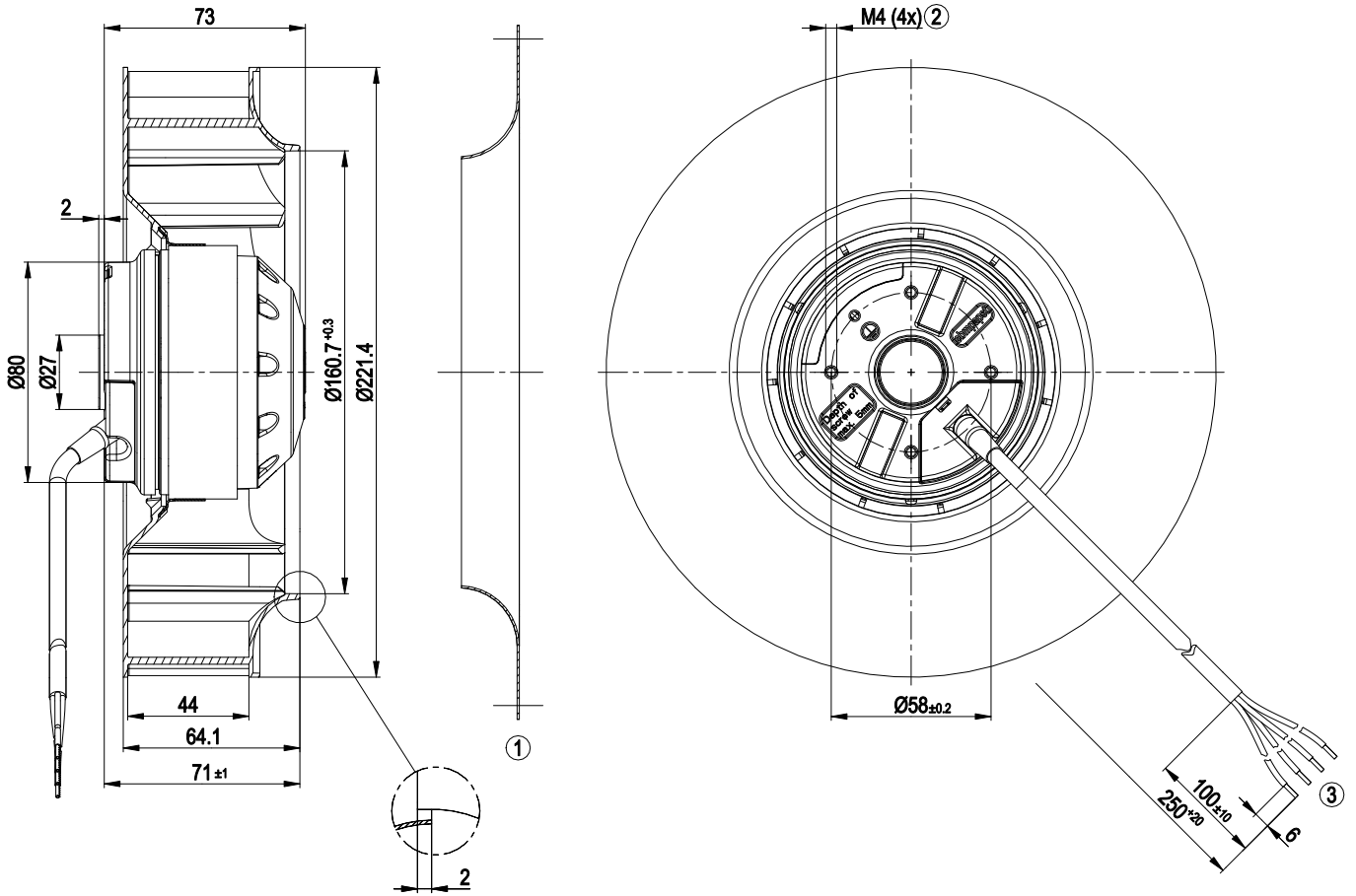
ml = Max. load · me = Max. efficiency · fa = Running at free air · cs = Customer specs · cu = Customer unit
 Subject to alterations



Technical features

Mass	1.8 kg
Size	220 mm
Surface of rotor	Coated in black
Material of impeller	PA plastic
Number of blades	11
Direction of rotation	Clockwise, seen on rotor
Type of protection	IP 44; Depending on installation and position as per EN 60034-5
Insulation class	"B"
Humidity (F)/environmental protection class (H)	H0+
Max. permissible ambient motor temp. (transp./ storage)	+ 80 °C
Min. permissible ambient motor temp. (transp./storage)	- 40 °C
Mounting position	Shaft horizontal or rotor on bottom; rotor on top on request
Condensate discharge holes	Rotor-side
Operation mode	S1
Motor bearing	Ball bearing
Touch current acc. IEC 60990 (measuring network Fig. 4, TN system)	< 0.75 mA
Motor protection	Thermal overload protector (TOP) wired internally
Cable exit	Variable
Protection class	I (if protective earth is connected by customer)
Product conforming to standard	EN 60335-1; CE
Approval	EAC

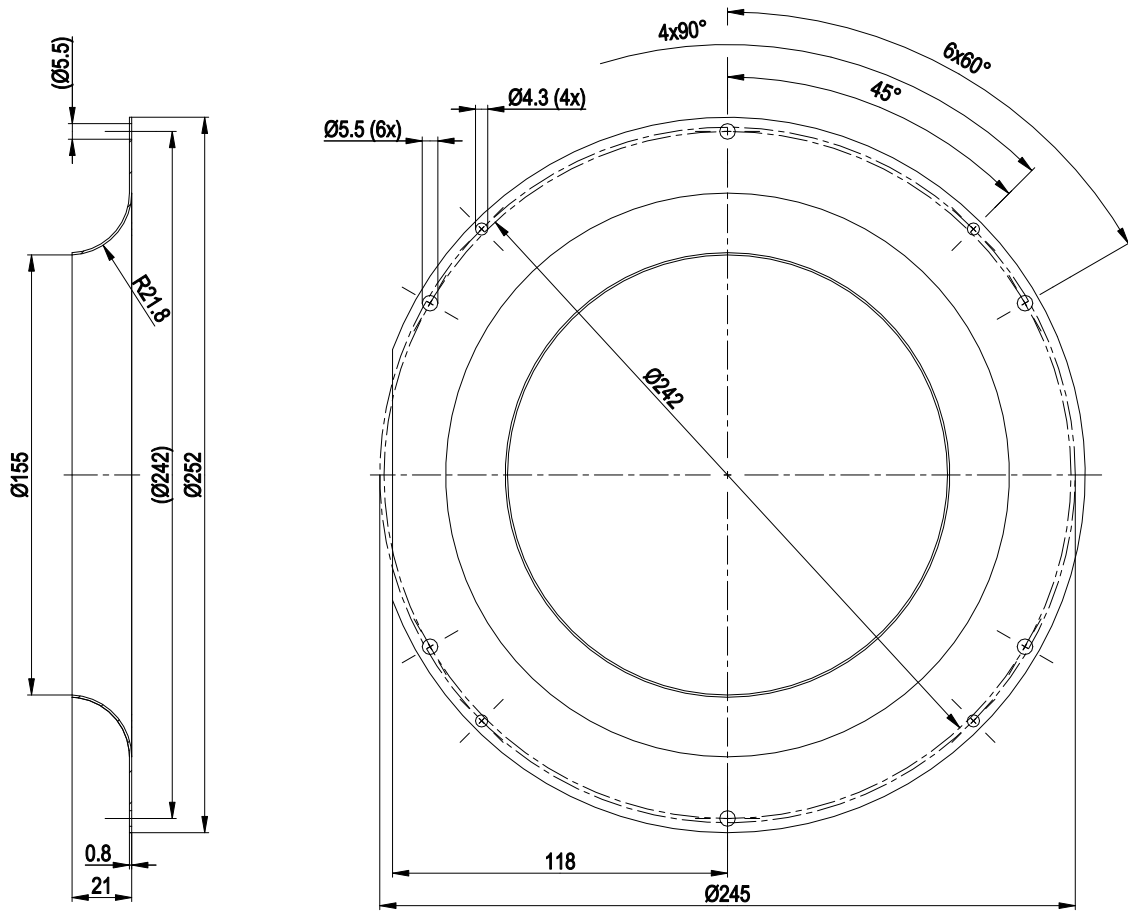
Product drawing



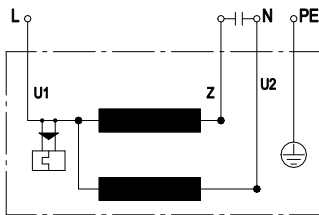
- | | |
|---|---|
| 1 | Accessory part: Inlet nozzle 09609-2-4013 not included in scope of delivery |
| 2 | Depth of screw max. 5 mm |
| 3 | Connection line PVC 4G 0.5 mm ² , 4x lead tips crimped |



Accessory part



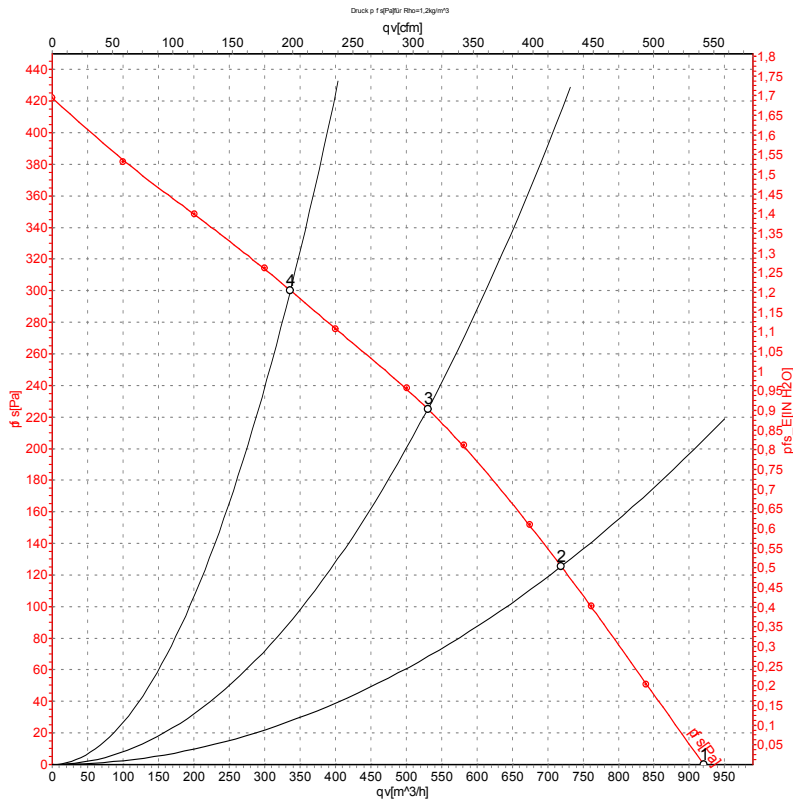
Connection screen



U1	blue	Z	brown	U2	black
PE	green/yellow				



Charts: Air flow 50 Hz



Measurement: LU-106769-1

Air performance measured as per ISO 5801 Installation category A. For detailed information on the measuring set-up, please contact ebmpapst. Suction-side noise levels: L_{wA} measured as per ISO 13347 / L_{pA} measured with 1m distance to fan axis. The values given are valid under the measuring conditions mentioned above and may vary according to the actual installation situation. With any deviation from the standard set-up, the specific values have to be checked and reviewed with the unit installed.

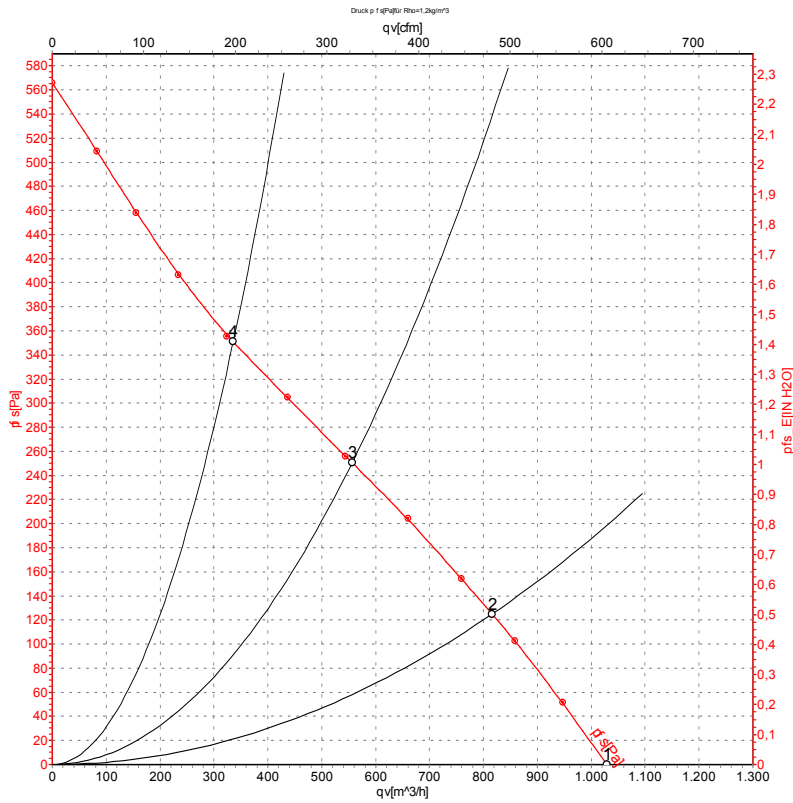
Measured values

	U	f	n	P _e	I	L _{pA_{in}}	qv	p _{fs}	qv	p _{fs}
	V	Hz	min ⁻¹	W	A	dB(A)	m ³ /h	Pa	CFM	inH ₂ O
1	230	50	2700	85	0.38	72	920	0	540	0.00
2	230	50	2540	97	0.43		720	125	425	0.50
3	230	50	2475	104	0.46		530	225	315	0.90
4	230	50	2495	102	0.45		335	300	200	1.20

U = Supply voltage · f = Frequency · n = Speed (rpm) · P_e = Power input · I = Current draw · L_{pA_{in}} = Sound pressure level inlet side · qv = Air flow · p_{fs} = Pressure increase



Charts: Air flow 60 Hz



Measurement: LU-106770-1

Air performance measured as per ISO 5801 Installation category A. For detailed information on the measuring set-up, please contact ebmpapst. Suction-side noise levels: L_{wA} measured as per ISO 13347 / L_{pA} measured with 1m distance to fan axis. The values given are valid under the measuring conditions mentioned above and may vary according to the actual installation situation. With any deviation from the standard set-up, the specific values have to be checked and reviewed with the unit installed.

Measured values

	U	f	n	P _e	I	LpA _{in}	qv	p _{fs}	qv	p _{fs}
	V	Hz	min ⁻¹	W	A	dB(A)	m ³ /h	Pa	CFM	inH2O
1	230	60	3050	115	0.51	75	1030	0	605	0.00
2	230	60	2770	128	0.55		815	125	480	0.50
3	230	60	2600	138	0.60		555	250	330	1.00
4	230	60	2680	133	0.58		335	350	200	1.41

U = Supply voltage · f = Frequency · n = Speed (rpm) · P_e = Power input · I = Current draw · LpA_{in} = Sound pressure level inlet side · qv = Air flow · p_{fs} = Pressure increase

