

R2E220-AA44-C6

AC centrifugal fan

backward-curved



R2E220-AA44-C6 ebmpapst Datasheet FansCo

sales@fansco.com

www.fansco.com

Nominal data

Type	R2E220-AA44-C6		
Motor	M2E068-BF		
Phase		1~	1~
Nominal voltage	VAC	115	115
Frequency	Hz	60	60
Method of obtaining data		fa	fa
Valid for approval/standard		UL 1004-3	CE
Speed (rpm)	min ⁻¹	2700	2700
Power consumption	W	105	100
Current draw	A	0.89	0.88
Capacitor	µF	10	10
Capacitor voltage	VDB	220	220
Min. back pressure	Pa	0	0
Min. back pressure	inH ₂ O	0	0
Min. ambient temperature	°C	-25	-25
Max. ambient temperature	°C	30	30
Starting current	A		1.05

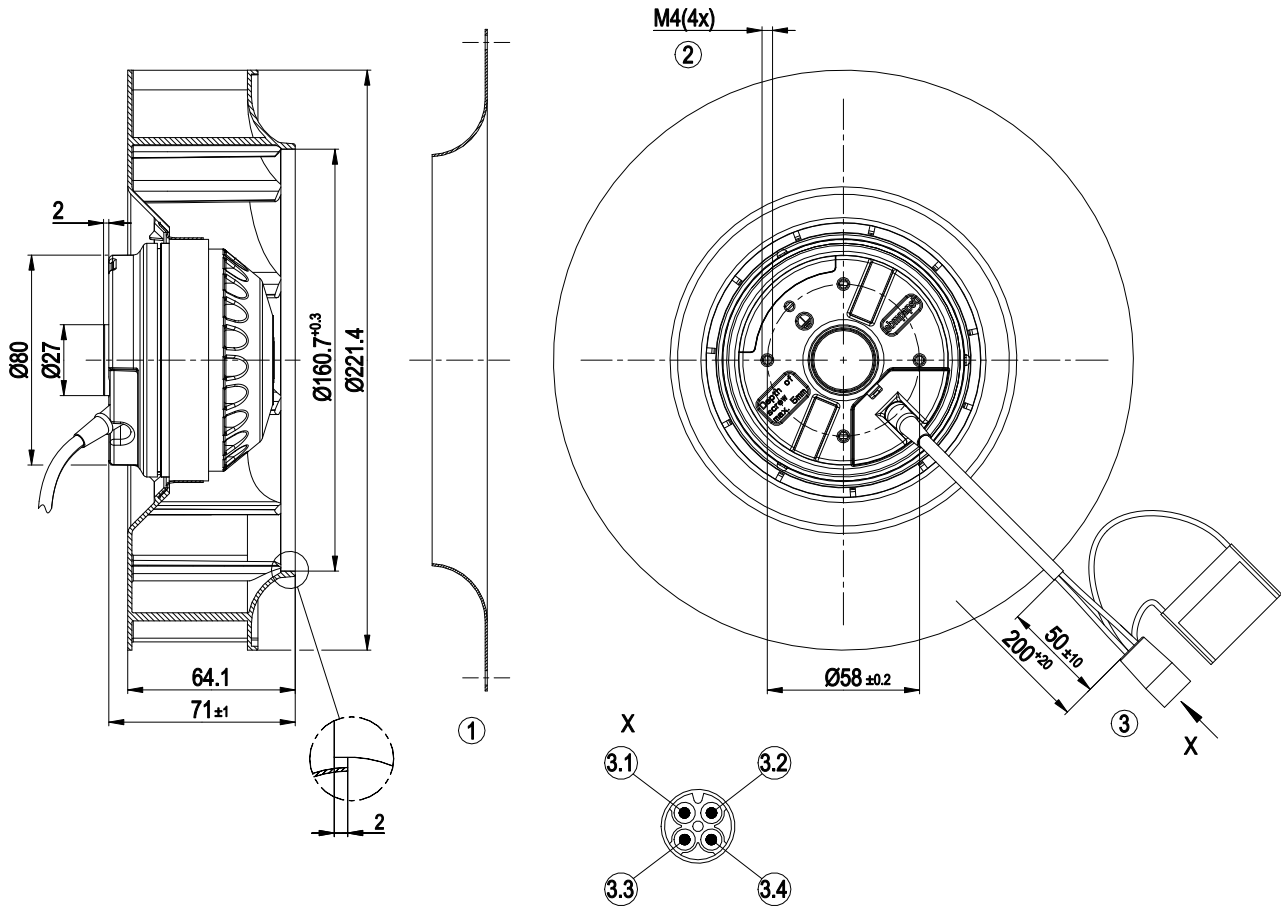
ml = Max. load · me = Max. efficiency · fa = Free air · cs = Customer specification · ce = Customer equipment
Subject to change



Technical description

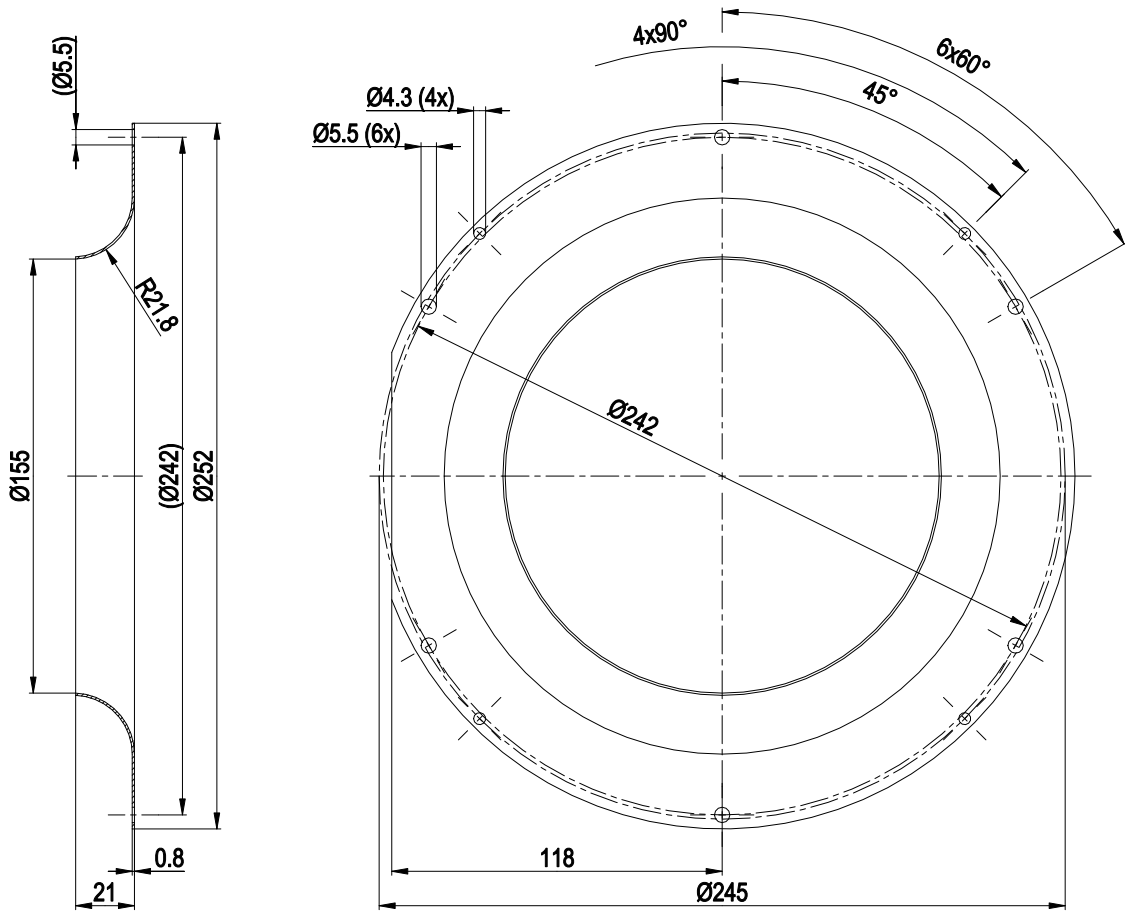
Weight	1.6 kg
Fan size	220 mm
Rotor surface	Painted black
Impeller material	PA plastic
Number of blades	11
Direction of rotation	Clockwise, viewed toward rotor
Degree of protection	IP44; installation- and position-dependent as per EN 60034-5
Insulation class	"B"
Moisture (F) / Environmental (H) protection class	H0+
Max. permitted ambient temp. for motor (transport/storage)	+ 80 °C
Min. permitted ambient temp. for motor (transport/storage)	- 40 °C
Installation position	Shaft horizontal or rotor on bottom; rotor on top on request
Condensation drainage holes	On rotor side
Mode	S1
Motor bearing	Ball bearing
Touch current according to IEC 60990 (measuring circuit Fig. 4, TN system)	< 0.75 mA
Motor protection	Thermal overload protector (TOP) internally connected
With cable	Variable
Protection class	I (with customer connection of protective earth)
Motor capacitor according to EN 60252-1 in safety protection class	S0
Conformity with standards	EN 60335-1; CE
Approval	CSA C22.2 No. 77; UL 2111

Product drawing



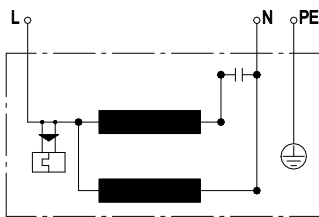
1	Accessory part: Inlet ring 09609-2-4013, not included in scope of delivery
2	Max. clearance for screw 5 mm
3	Cable PVC AWG20, 1x 4-pole connector housing tyco 925075-7, 2x plug pin tyco 163555-6, 2x plug pin tyco 163303-8
3.1	brown + capacitor
3.2	L (blue)
3.3	PE (green/yellow)
3.4	N (black + capacitor)

Accessory part



Inlet ring 09609-2-4013 not included in scope of delivery

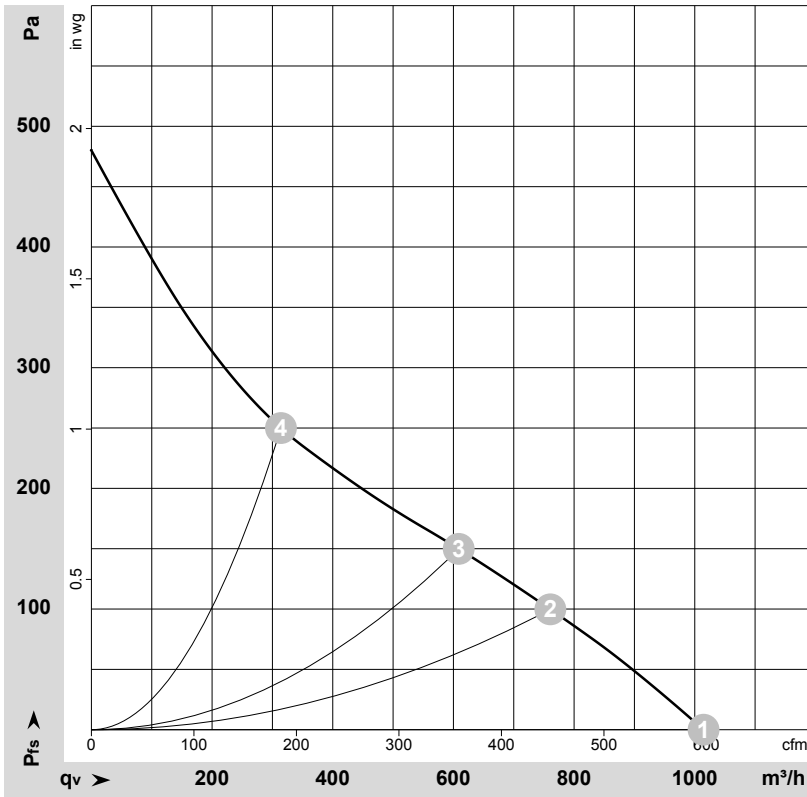
Connection diagram



L	blue	N	black	PE	green/yellow
---	------	---	-------	----	--------------



Curves: Air performance 60 Hz



$\rho = 1.15 \text{ kg/m}^3 \pm 2 \%$

Measurement: LU-65497-1

Air performance measured according to ISO 5801 installation category A. For detailed information on the measurement setup, contact ebmpapst. Intake sound level: Sound power level according to ISO 13347 / sound pressure level measured at 1 m distance from fan axis. The values given are valid under the specified measuring conditions and may vary due to conditions of installation. For deviations from the standard configuration, the parameters have to be checked on the installed unit.

Measured values

	U	f	n	P _e	I	q _v	P _{fs}	q _v	P _{fs}
	V	Hz	min ⁻¹	W	A	m ³ /h	Pa	cfm	inH ₂ O
1	115	60	2750	100	0.88	1015	0	595	0.00
2	115	60	2445	110	0.96	760	100	450	0.40
3	115	60	2275	113	0.99	610	150	360	0.60
4	115	60	2270	112	0.97	315	250	185	1.00

U = Power supply · f = Frequency · n = Speed (rpm) · P_e = Power consumption · I = Current draw · q_v = Air flow · P_{fs} = Pressure increase

