

R2E220-AA40-B5 ebmpapst Datasheet

sales@fansco.com

www.fansco.com

Nominal data

Type	R2E220-AA40-B5		
Motor	M2E068-BF		
Phase		1~	1~
Nominal voltage	VAC	230	230
Frequency	Hz	50	60
Method of obtaining data		fa	fa
Valid for approval/standard		CE	CE
Speed (rpm)	min ⁻¹	2350	2700
Power consumption	W	70	90
Current draw	A	0.32	0.40
Capacitor	µF	2	2
Capacitor voltage	VDB	400	400
Capacitor standard		S0 (CE)	S0 (CE)
Min. back pressure	Pa	0	0
Min. back pressure	in. wg	0	0
Min. ambient temperature	°C	-25	-25
Max. ambient temperature	°C	40	40
Starting current	A		0.52

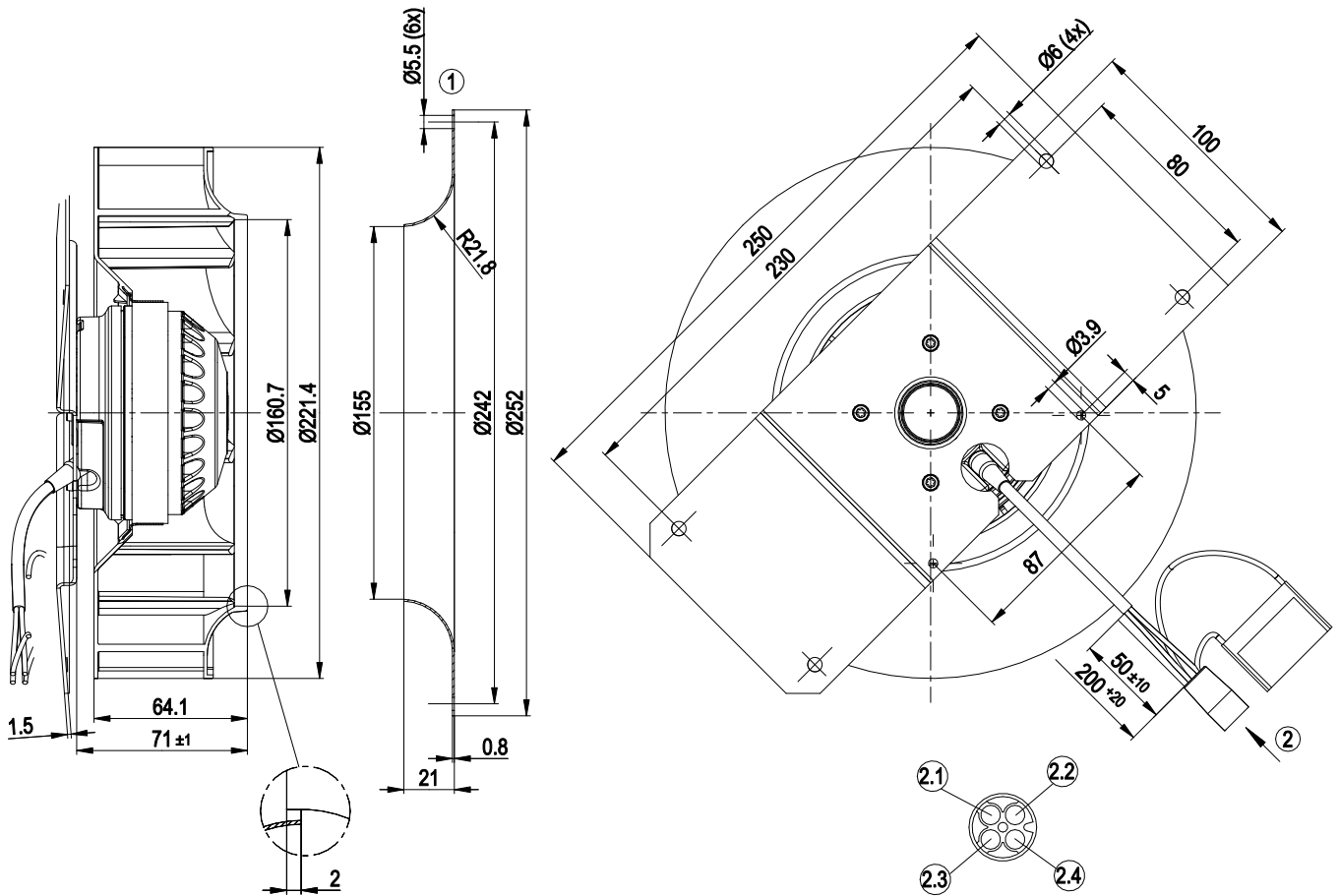
ml = Max. load · me = Max. efficiency · fa = Free air · cs = Customer specification · ce = Customer equipment
 Subject to change



Technical description

Weight	1.6 kg
Fan size	220 mm
Rotor surface	Painted black
Impeller material	PA plastic
Number of blades	11
Direction of rotation	Clockwise, viewed toward rotor
Degree of protection	IP44; installation- and position-dependent as per EN 60034-5
Insulation class	"B"
Moisture (F) / Environmental (H) protection class	H1
Max. permitted ambient temp. for motor (transport/storage)	+ 80 °C
Min. permitted ambient temp. for motor (transport/storage)	- 40 °C
Installation position	Shaft horizontal or rotor on bottom; rotor on top on request
Condensation drainage holes	On rotor side
Mode	S1
Motor bearing	Ball bearing
Touch current according to IEC 60990 (measuring circuit Fig. 4, TN system)	< 0.75 mA
Motor protection	Thermal overload protector (TOP) internally connected
With cable	Variable
Protection class	I (with customer connection of protective earth)
Motor capacitor according to EN 60252-1 in safety protection class	S0
Conformity with standards	EN 60335-1; CE
Approval	CSA C22.2 No. 77; UL 1004-3

Product drawing



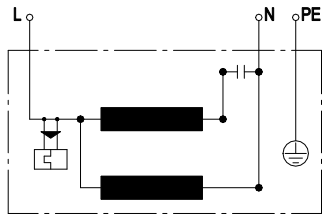
1	Accessory part: Inlet ring 09609-2-4013, not included in scope of delivery
2	Cable PVC AWG20, 1x 4-pole connector housing tyco 925075-7, 2x plug pin tyco 163555-6, 2x plug pin tyco 163303-8
2.1	brown + capacitor
2.2	blue
2.3	green/yellow
2.4	black + capacitor

R2E220-AA40-B5

AC centrifugal fan

backward-curved, single-intake

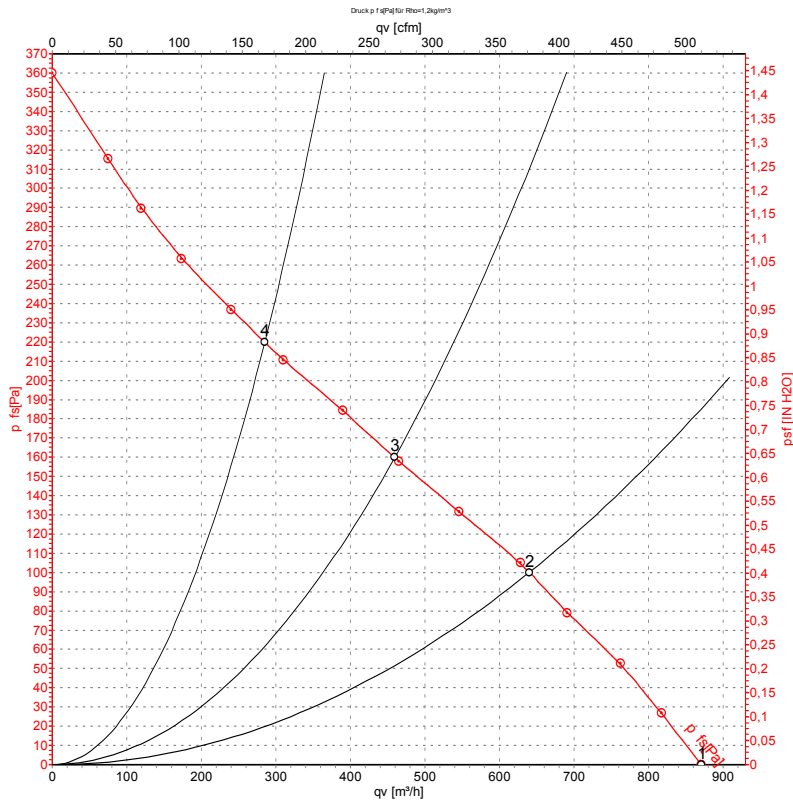
Connection diagram



L	blue	N	black	PE	green/yellow
---	------	---	-------	----	--------------



Curves: Air performance 50 Hz



Measurement: LU-78926-1

Air performance measured according to ISO 5801 installation category A. For detailed information on the measurement setup, contact ebmpapst. Intake sound level: Sound power level according to ISO 13347 / sound pressure level measured at 1 m distance from fan axis. The values given are valid under the specified measuring conditions and may vary due to conditions of installation. For deviations from the standard configuration, the parameters have to be checked on the installed unit.

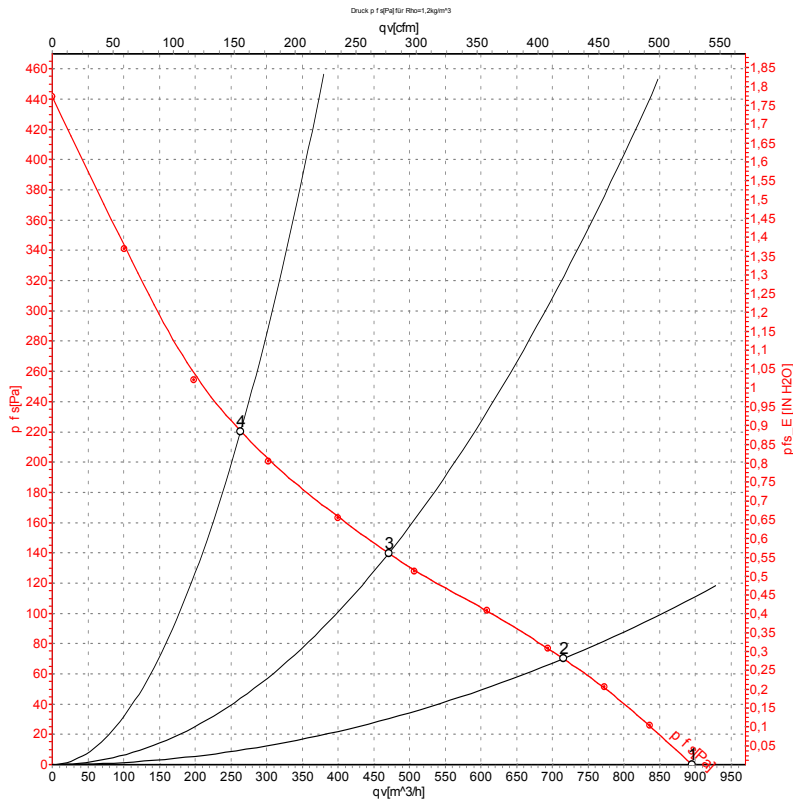
Measured values

	U	f	n	P _e	I	q _v	P _{fs}	q _v	P _{fs}
	V	Hz	min ⁻¹	W	A	m ³ /h	Pa	cfm	in. wg
1	230	50	2350	70	0.32	870	0	515	0.00
2	230	50	2135	79	0.34	640	100	375	0.40
3	230	50	2040	81	0.36	460	160	270	0.64
4	230	50	2080	79	0.35	285	220	170	0.88

U = Power supply · f = Frequency · n = Speed (rpm) · P_e = Power consumption · I = Current draw · q_v = Air flow · P_{fs} = Pressure increase



Curves: Air performance 60 Hz



Measurement: LU-106764-1

Air performance measured according to ISO 5801 installation category A. For detailed information on the measurement setup, contact ebmpapst. Intake sound level: Sound power level according to ISO 13347 / sound pressure level measured at 1 m distance from fan axis. The values given are valid under the specified measuring conditions and may vary due to conditions of installation. For deviations from the standard configuration, the parameters have to be checked on the installed unit.

Measured values

	U	f	n	P _e	I	q _v	P _{fs}	q _v	P _{fs}
	V	Hz	min ⁻¹	W	A	m ³ /h	Pa	cfm	in. wg
1	230	60	2490	84	0.37	895	0	525	0.00
2	230	60	2265	90	0.39	715	70	420	0.28
3	230	60	2020	94	0.41	470	140	275	0.56
4	230	60	2100	93	0.40	265	220	155	0.88

U = Power supply · f = Frequency · n = Speed (rpm) · P_e = Power consumption · I = Current draw · q_v = Air flow · P_{fs} = Pressure increase

