

R2E190-RA62-75 ebmpapst Datasheet

sales@fansco.com

www.fansco.com

Limited partnership · Headquarters Muldingen
 County court Stuttgart · HRA 590344

General partner Elektrobau Muldingen GmbH · Headquarters Muldingen
 County court Stuttgart · HRB 590142

Nominal data

Type	R2E190-RA62-75	
Motor	M2E068-BF	
Phase		1~
Nominal voltage	VAC	240
Frequency	Hz	50
Type of data definition		ml
Valid for approval / standard		CE
Speed (rpm)	min ⁻¹	2440
Power input	W	63
Current draw	A	0.28
Motor capacitor	µF	1.5
Capacitor voltage	VDB	450
Capacitor standard		S2 (CE)
Min. back pressure	Pa	0
Min. ambient temperature	°C	-25
Max. ambient temperature	°C	40
Starting current	A	0.41

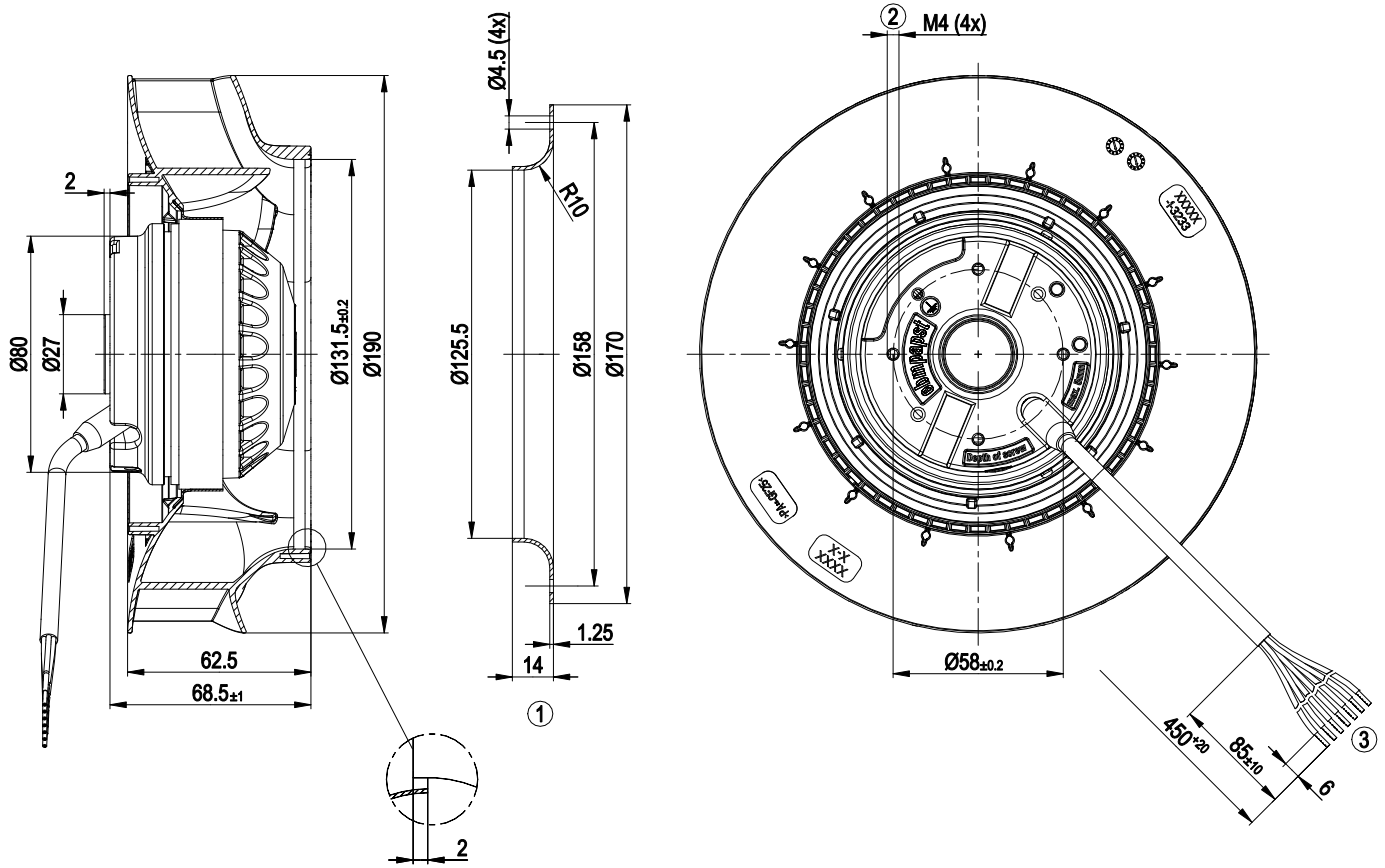
ml = Max. load · me = Max. efficiency · fa = Running at free air · cs = Customer specs · cu = Customer unit
 Subject to alterations



Technical features

Mass	1.18 kg
Size	190 mm
Surface of rotor	Uncoated
Material of impeller	PP plastic
Number of blades	7
Direction of rotation	Clockwise, seen on rotor
Type of protection	IP 44; Depending on installation and position
Insulation class	"B"
Humidity (F)/environmental protection class (H)	H0 - dry environment
Max. permissible ambient motor temp. (transp./ storage)	+ 80 °C
Min. permissible ambient motor temp. (transp./storage)	- 40 °C
Mounting position	Any
Condensate discharge holes	None
Operation mode	S1
Motor bearing	Ball bearing
Speed steps	3
Touch current acc. IEC 60990 (measuring network Fig. 4, TN system)	< 0.75 mA
Motor protection	Thermal overload protector (TOP) wired internally
Cable exit	Variable
Protection class	I (if protective earth is connected by customer)
Product conforming to standard	EN 60335-1; CE

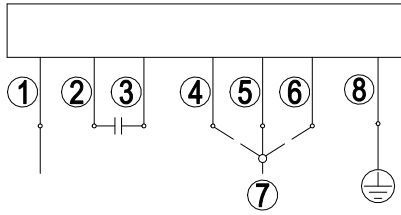
Product drawing



- | | |
|---|--|
| 1 | Accessory part: inlet nozzle 09576-2-4013, not included in scope of delivery |
| 2 | Thread reach max. 5 mm |
| 3 | Connection line PVC AWG20, 7x lead tips crimped |



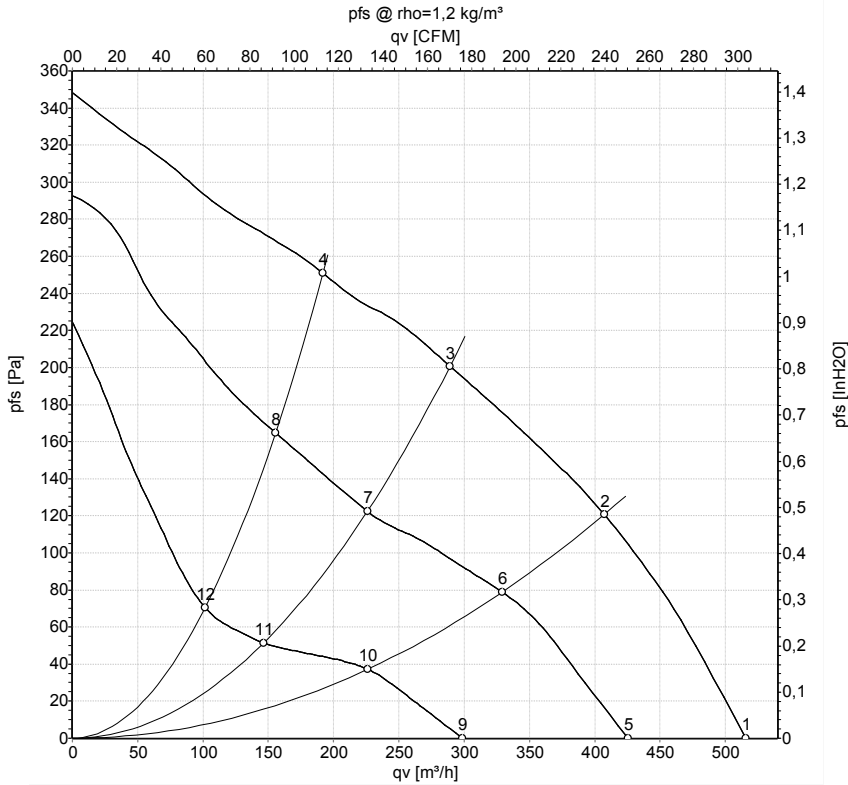
Connection screen



Note: Fast speed (step III); slow speed (step I)

1	blue (N)	2	brown	3	yellow
4	Level 1 (black1)	5	Level 2 (black2)	6	Level 3 (black3)
7	L1	8	PE (green/yellow)		

Charts: Air flow 50 Hz



Measurement: LU-161869-1
 Measurement: LU-162039-1
 Measurement: LU-162042-1

Air performance measured as per ISO 5801 Installation category A. For detailed information on the measuring set-up, please contact ebmpapst. Suction-side noise levels: LwA measured as per ISO 13347 / LpA measured with 1m distance to fan axis. The values given are valid under the measuring conditions mentioned above and may vary according to the actual installation situation. With any deviation from the standard set-up, the specific values have to be checked and reviewed with the unit installed.

Measured values

	U	f	n	P _e	I	q _v	p _{fs}	q _v	p _{fs}
	V	Hz	min ⁻¹	W	A	m ³ /h	Pa	cfm	inH ₂ O
1	240	50	2525	59	0.26	515	0	305	0.00
2	240	50	2475	61	0.27	405	120	240	0.48
3	240	50	2440	63	0.28	290	200	170	0.80
4	240	50	2490	60	0.26	190	250	115	1.00
5	240	50	2110	46	0.20	425	0	250	0.00
6	240	50	2010	48	0.21	330	79	195	0.32
7	240	50	1935	49	0.21	225	122	135	0.49
8	240	50	2030	48	0.21	155	165	90	0.66
9	240	50	1510	43	0.19	300	0	175	0.00
10	240	50	1380	44	0.19	225	37	135	0.15
11	240	50	1250	45	0.19	145	51	85	0.20
12	240	50	1340	44	0.19	100	70	60	0.28

U = Supply voltage · f = Frequency · n = Speed (rpm) · P_e = Power input · I = Current draw · q_v = Air flow · p_{fs} = Pressure increase

