

R2E190-RA26-82 ebmpapst Datasheet

sales@fansco.com

www.fansco.com

Limited partnership · Headquarters Muldingen
County court Stuttgart · HRA 590344

General partner Elektrobau Muldingen GmbH · Headquarters Muldingen
County court Stuttgart · HRB 590142

Nominal data

Type	R2E190-RA26-82	
Motor	M2E068-BF	
Phase		1~
Nominal voltage	VAC	230
Frequency	Hz	50
Type of data definition		cu
Valid for approval / standard		CE
Speed (rpm)	min ⁻¹	2400
Power input	W	75
Current draw	A	0.34
Motor capacitor	µF	2.5
Capacitor voltage	VDB	400
Capacitor standard		S0 (CE)
Min. back pressure	Pa	0
Min. ambient temperature	°C	-25
Max. ambient temperature	°C	45
Starting current	A	0.43

ml = Max. load · me = Max. efficiency · fa = Running at free air · cs = Customer specs · cu = Customer unit
Subject to alterations



AC centrifugal fan

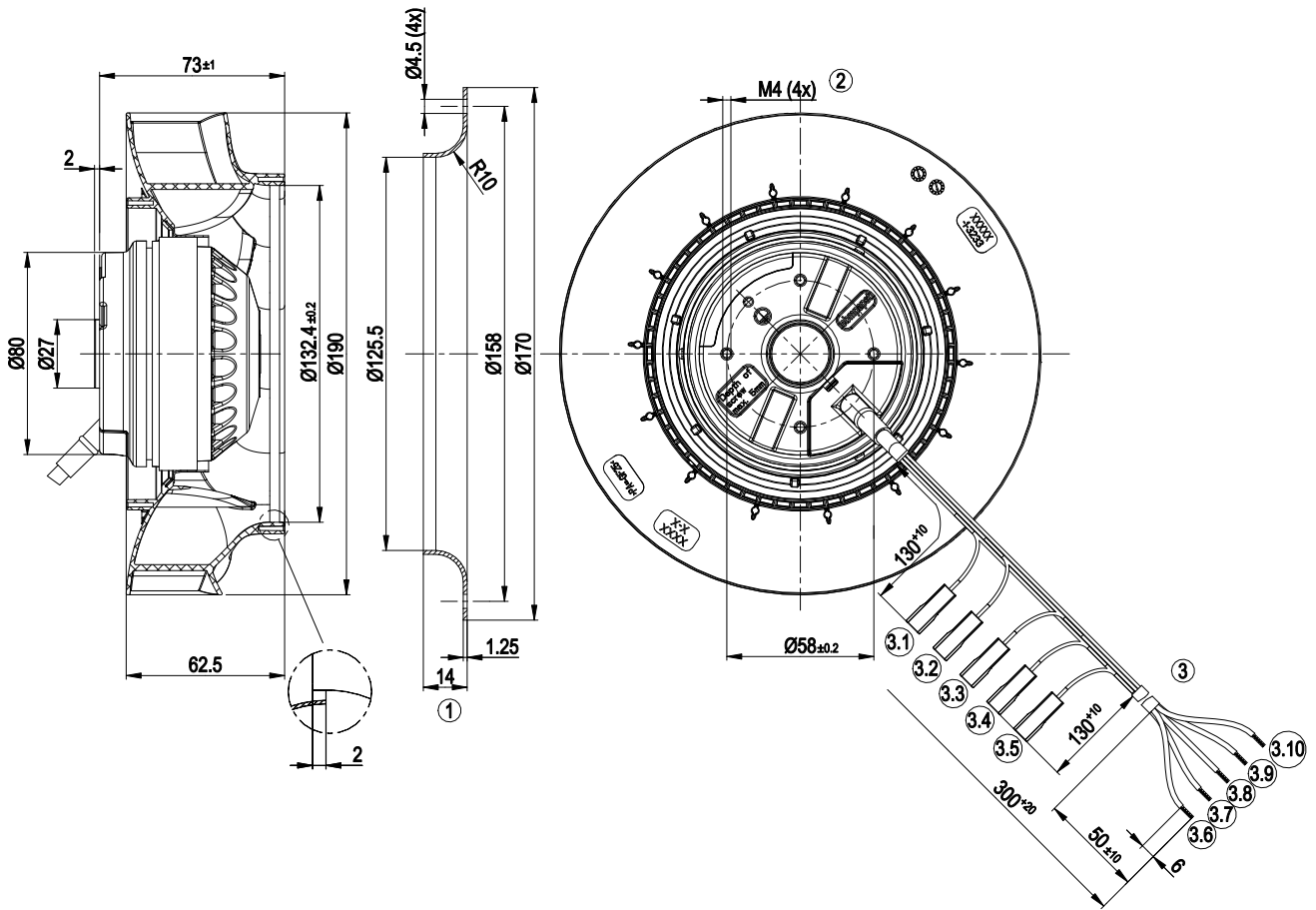
backward curved, single inlet

Technical features

Mass	1.2 kg
Size	190 mm
Surface of rotor	Coated in black
Material of impeller	PA plastic
Number of blades	7
Direction of rotation	Clockwise, seen on rotor
Type of protection	IP 44; Depending on installation and position as per EN 60034-5
Insulation class	"B"
Humidity (F)/environmental protection class (H)	H0+
Max. permissible ambient motor temp. (transp./ storage)	+ 80 °C
Min. permissible ambient motor temp. (transp./storage)	- 40 °C
Mounting position	Shaft horizontal or rotor on bottom; rotor on top on request
Condensate discharge holes	Rotor-side
Operation mode	S1
Motor bearing	Ball bearing
Touch current acc. IEC 60990 (measuring network Fig. 4, TN system)	< 0.75 mA
Motor protection	Temperature limiter manual reset
Cable exit	Variable
Protection class	I (if protective earth is connected by customer)
Product conforming to standard	EN 60335-1; CE



Product drawing

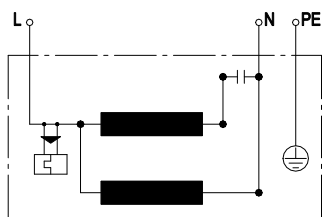


1	Accessory part: Inlet nozzle 09576-2-4013 not included in scope of delivery
2	Thread reach max. 5 mm
3	Connection line PFA AWG20, 5x lead tips crimped
3.1	Red, threaded pin 4.8x0.5 with insulating sleeve
3.2	white, threaded pin 4.8x0.5 with insulating sleeve
3.3	black, threaded pin 4.8x0.5 with insulating sleeve
3.4	Brown, threaded pin 4.8x0.5 with insulating sleeve
3.5	Grey, threaded pin 4.8x0.5 with insulating sleeve
3.6	grey
3.7	brown
3.8	black
3.9	blue
3.10	green/yellow

AC centrifugal fan

backward curved, single inlet

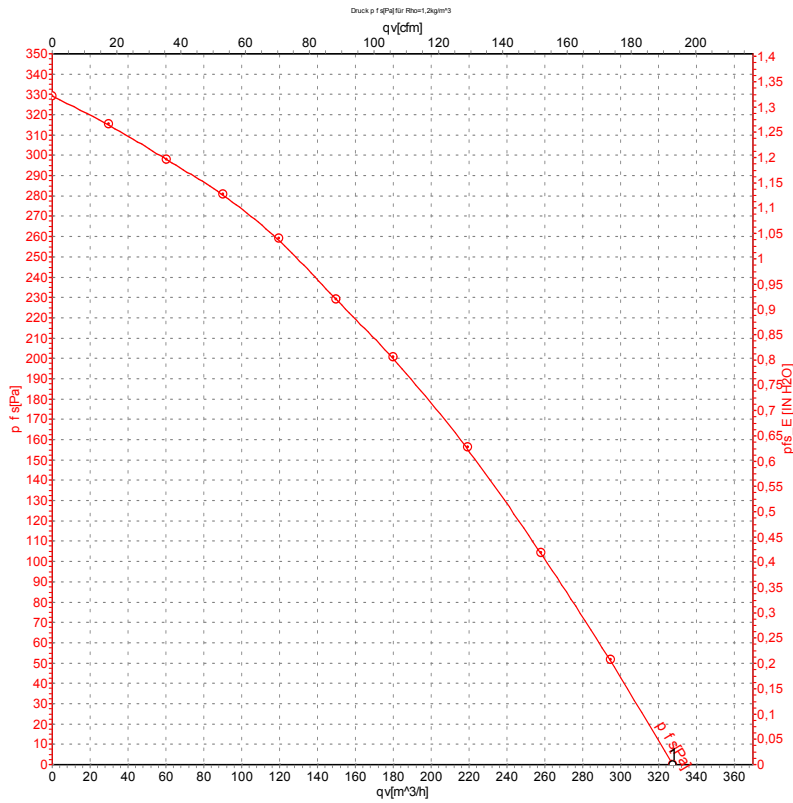
Connection screen



L	blue	N	black	PE	green/yellow
---	------	---	-------	----	--------------



Charts: Air flow 50 Hz



Measurement: LU-130175-1

Air performance measured as per ISO 5801 Installation category A. For detailed information on the measuring set-up, please contact ebmpapst. Suction-side noise levels: L_{wA} measured as per ISO 13347 / L_{pA} measured with 1m distance to fan axis. The values given are valid under the measuring conditions mentioned above and may vary according to the actual installation situation. With any deviation from the standard set-up, the specific values have to be checked and reviewed with the unit installed.

Measured values

	U	f	n	P _e	I	q _v	q _v	P _{fs}
	V	Hz	min ⁻¹	W	A	m³/h	cfm	inH ₂ O
1	230	50	2400	75	0.34	330	195	0.00

U = Supply voltage · f = Frequency · n = Speed (rpm) · P_e = Power input · I = Current draw · q_v = Air flow

