

R2E190-RA26-78 ebmpapst Datasheet

sales@fansco.com

www.fansco.com

Limited partnership · Headquarters Mulfingen
County court Stuttgart · HRA 590344

General partner Elektrobau Mulfingen GmbH · Headquarters Mulfingen
County court Stuttgart · HRB 590142

Nominal data

Type	R2E190-RA26-78			
Motor	M2E068-BF			
Phase		1~	1~	1~
Nominal voltage	VAC	230	230	230
Frequency	Hz	50	60	60
Type of data definition		ml	ml	ml
Valid for approval / standard		CE	CE	UL 2111
Speed (rpm)	min ⁻¹	2430	2580	2580
Power input	W	58	76	80
Current draw	A	0.27	0.34	0.35
Motor capacitor	µF	2	2	2
Capacitor voltage	VDB	400	400	400
Capacitor standard		S0 (CE)	S0 (CE)	UL
Min. back pressure	Pa	0	0	0
Min. ambient temperature	°C	-25	-25	-25
Max. ambient temperature	°C	65	70	70
Starting current	A	0.39	0.41	

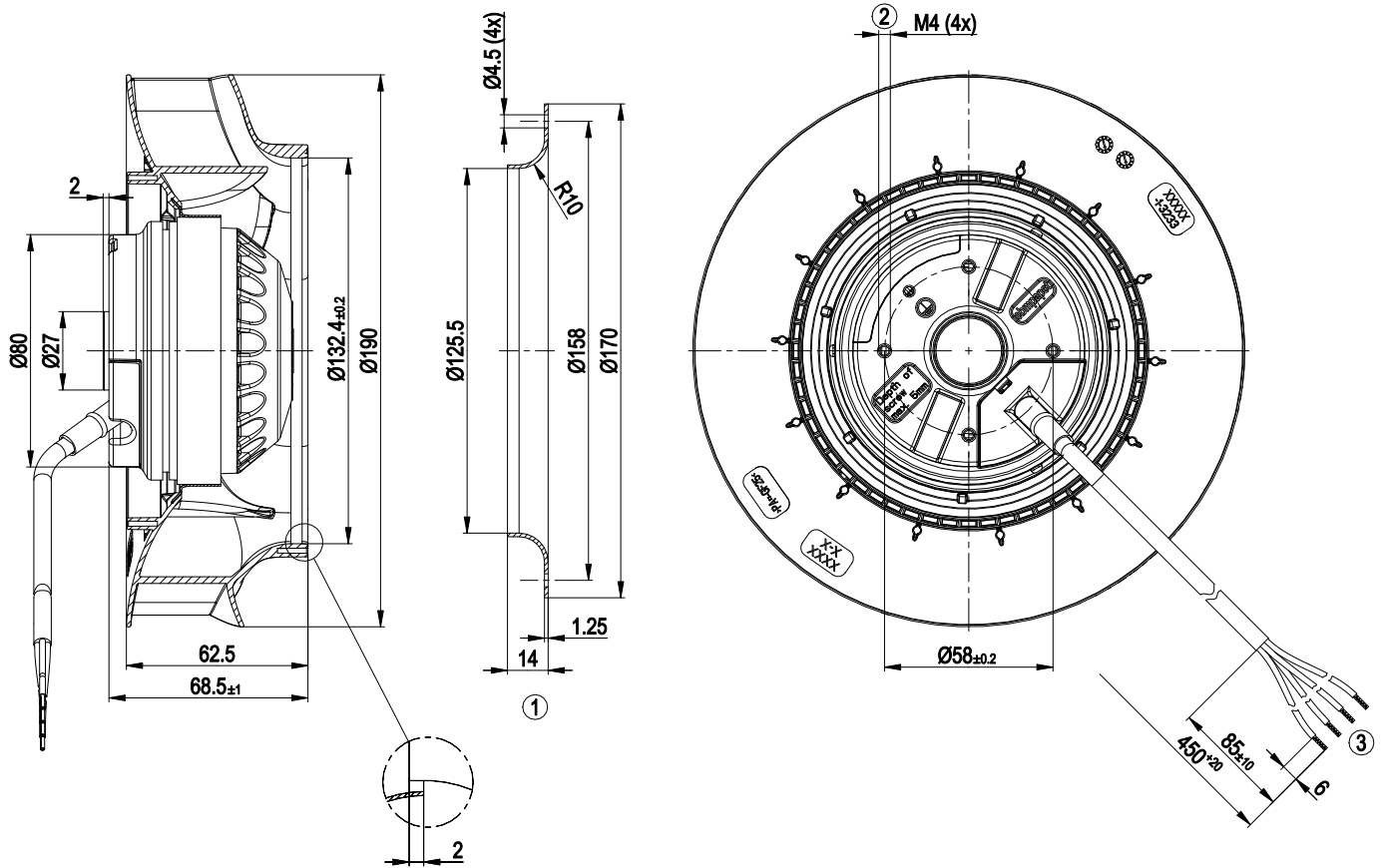
ml = Max. load · me = Max. efficiency · fa = Running at free air · cs = Customer specs · cu = Customer unit
Subject to alterations



Technical features

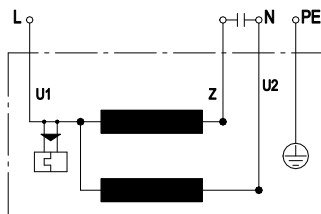
Mass	1.2 kg
Size	190 mm
Surface of rotor	Coated in black
Material of impeller	PA plastic
Number of blades	7
Direction of rotation	Clockwise, seen on rotor
Type of protection	IP 44; Depending on installation and position
Insulation class	"F"
Humidity (F)/environmental protection class (H)	H0+
Max. permissible ambient motor temp. (transp./ storage)	+ 80 °C
Min. permissible ambient motor temp. (transp./storage)	- 40 °C
Mounting position	Any
Condensate discharge holes	None
Operation mode	S1
Motor bearing	Ball bearing
Touch current acc. IEC 60990 (measuring network Fig. 4, TN system)	< 0.75 mA
Motor protection	Thermal overload protector (TOP) wired internally
Cable exit	Variable
Protection class	I (if protective earth is connected by customer)
Product conforming to standard	EN 60335-1; CE
Approval	CSA C22.2 No.77; UL 2111

Product drawing



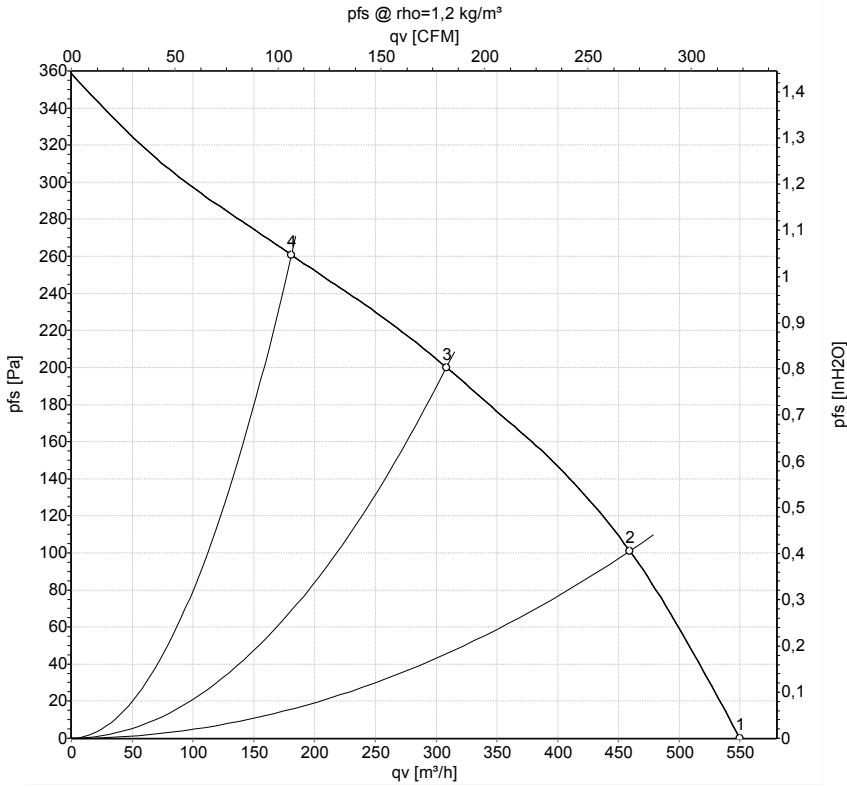
- | | |
|---|--|
| 1 | Accessory part: Inlet nozzle 09576-2-4013, not included in scope of delivery |
| 2 | Thread reach max. 5 mm |
| 3 | Connection line PFA AWG20, 4x lead tips crimped |

Connection screen



U1	blue	Z	brown	U2	black
PE	green/yellow				

Charts: Air flow 50 Hz



Measurement: LU-125743-1

Air performance measured as per ISO 5801 Installation category A. For detailed information on the measuring set-up, please contact ebm-papst. Suction-side noise levels: L_{wA} measured as per ISO 13347 / L_{pA} measured with 1m distance to fan axis. The values given are valid under the measuring conditions mentioned above and may vary according to the actual installation situation. With any deviation from the standard set-up, the specific values have to be checked and reviewed with the unit installed.

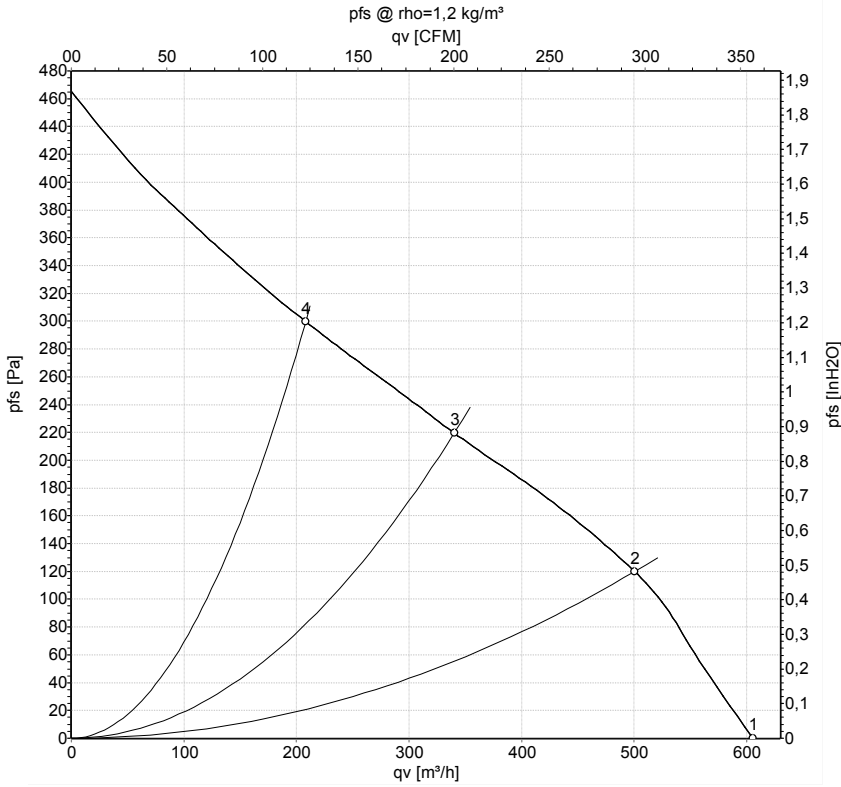
Measured values

	U	f	n	P_e	I	$L_{pA_{in}}$	$L_{wA_{in}}$	q_v	p_{fs}	q_v	p_{fs}
	V	Hz	min^{-1}	W	A	dB(A)	dB(A)	$\text{m}^3\text{/h}$	Pa	cfm	inH2O
1	230	50	2540	55	0.24	58	66	550	0	325	0.00
2	230	50	2505	56	0.24	56	63	460	100	270	0.40
3	230	50	2430	58	0.27	53	60	310	200	180	0.80
4	230	50	2505	56	0.24	56	63	180	260	105	1.04

U = Supply voltage · f = Frequency · n = Speed (rpm) · P_e = Power input · I = Current draw · $L_{pA_{in}}$ = Sound pressure level inlet side · $L_{wA_{in}}$ = Sound power level inlet side · q_v = Air flow
 p_{fs} = Pressure increase



Charts: Air flow 60 Hz



Measurement: LU-125752-1

Air performance measured as per ISO 5801 Installation category A. For detailed information on the measuring set-up, please contact ebm-papst. Suction-side noise levels: L_{wA} measured as per ISO 13347 / L_{pA} measured with 1m distance to fan axis. The values given are valid under the measuring conditions mentioned above and may vary according to the actual installation situation. With any deviation from the standard set-up, the specific values have to be checked and reviewed with the unit installed.

Measured values

	U	f	n	P _e	I	L _{pA_{in}}	L _{wA_{in}}	q _v	p _{fs}	q _v	p _{fs}
	V	Hz	min ⁻¹	W	A	dB(A)	dB(A)	m ³ /h	Pa	cfm	inH ₂ O
1	230	60	2790	72	0.32	61	69	605	0	355	0.00
2	230	60	2710	73	0.33	59	67	500	120	295	0.48
3	230	60	2580	76	0.34	55	62	340	220	200	0.88
4	230	60	2700	74	0.33	57	65	210	300	120	1.20

U = Supply voltage · f = Frequency · n = Speed (rpm) · P_e = Power input · I = Current draw · L_{pA_{in}} = Sound pressure level inlet side · L_{wA_{in}} = Sound power level inlet side · q_v = Air flow
 p_{fs} = Pressure increase

