

for solid fuel heating systems

R2E160-BG34-10 ebmpapst Datasheet

sales@fansco.com

www.fansco.com

Limited partnership · Headquarters Muldingen
County court Stuttgart · HRA 590344

General partner Elektrobau Muldingen GmbH · Headquarters Muldingen
County court Stuttgart · HRB 590142

Nominal data

Type	R2E160-BG34-10	
Motor	M2E068-DF	
Phase		1~
Nominal voltage	VAC	230
Frequency	Hz	50
Type of data definition		ml
Valid for approval / standard		CE
Speed	min ⁻¹	2800
Power input	W	57
Current draw	A	0.26
Motor capacitor	µF	1.5
Capacitor voltage	VDB	450
Capacitor standard		P0 (CE)
Min. back pressure	Pa	150
Max. ambient temperature	°C	80

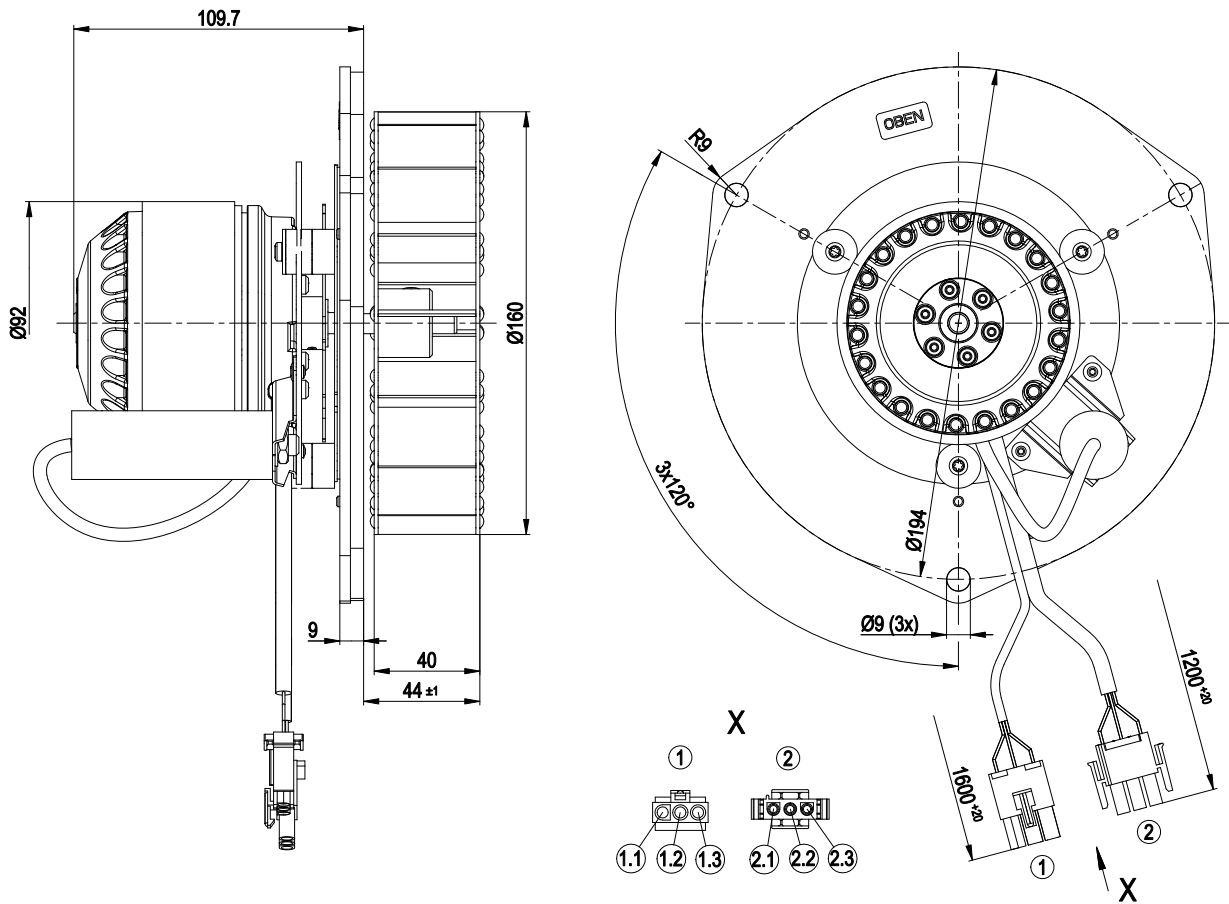
ml = Max. load · me = Max. efficiency · fa = Running at free air · cs = Customer specs · cu = Customer unit
Subject to alterations



Technical features

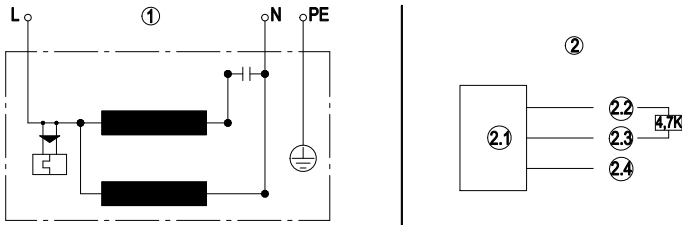
Mass	4 kg
Size	160 mm
Surface of rotor	Uncoated
Material of impeller	Sheet steel
Number of blades	16
Direction of rotation	Counter-clockwise, seen on rotor
Type of protection	IP 44; Depending on installation and position
Insulation class	"F"
Humidity class	F0
Max. permissible ambient motor temp. (transp./ storage)	+ 80 °C
Min. permissible ambient motor temp. (transp./storage)	- 40 °C
Mounting position	Any
Condensate discharge holes	None
Operation mode	S1
Motor bearing	Ball bearing
Touch current acc. IEC 60990 (measuring network Fig. 4, TN system)	< 0.75 mA
Motor protection	Thermal overload protector (TOP) wired internally
Cable exit	Variable
Protection class	I (if protective earth is connected by customer)
Product conforming to standard	EN 60335-1; CE

Product drawing



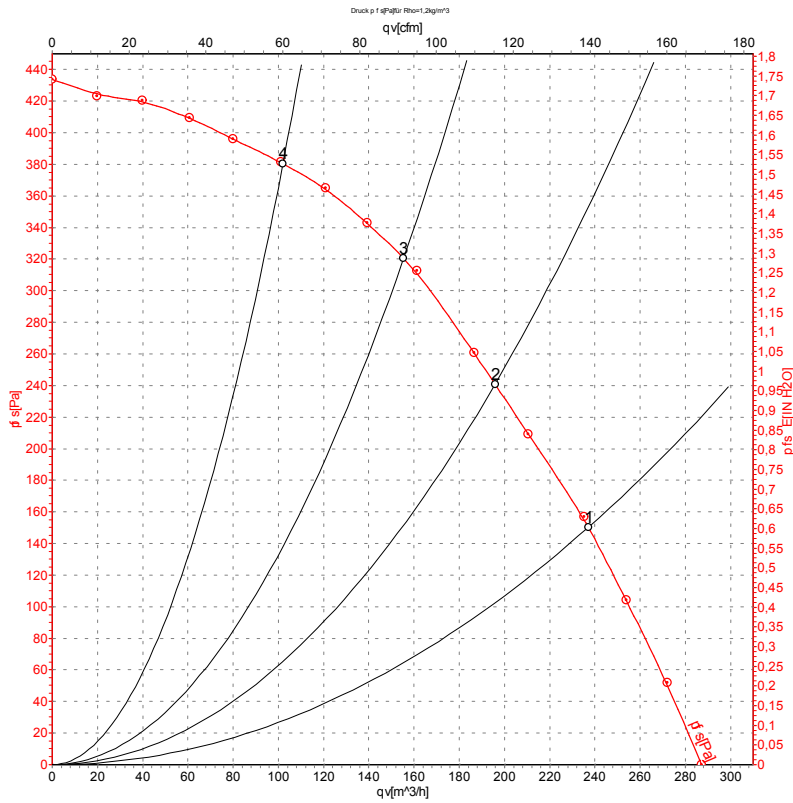
1	Connection line Raychem Spec.44 AWG24 with Molex connector housing 39-01-4030 and 3x female terminal 39-00-0065
1.1	0 V (black)
1.2	+5V (red)
1.3	out (white)
2	Connection line ETFE AWG20 with connector housing AMP 1-480700-0 and 3x female terminal 926884-1
2.1	N (black)
2.2	PE (green / yellow)
2.3	L (blue)

Connection screen



1	Fan connection diagram
L	blue
N	black
PE	green/yellow
2	Hall IC circuit
2.1	Hall IC
2.2	Red (+5V)
2.3	White (out)
2.4	Black (0V)

Charts: Air flow 50 Hz



Measurement: LU-119821

Air performance measured as per ISO 5801 Installation category A. For detailed information on the measuring set-up, please contact ebm-papst. Suction-side noise levels: L_{wA} measured as per ISO 13347 / L_{pA} measured with 1m distance to fan axis. The values given are valid under the measuring conditions mentioned above and may vary according to the actual installation situation. With any deviation from the standard set-up, the specific values have to be checked and reviewed with the unit installed.

Measured values

	U	f	n	P _e	I	qv	p _{fs}
	V	Hz	min ⁻¹	W	A	m ³ /h	Pa
1	230	50	2800	57	0.26	235	150
2	230	50	2805	53	0.24	195	240
3	230	50	2825	48	0.22	155	320
4	230	50	2855	44	0.20	100	380

U = Supply voltage · f = Frequency · n = Speed · P_e = Power input · I = Current draw · qv = Air flow · p_{fs} = Pressure increase

