

R2E160-AF24-10 ebmpapst Datasheet

sales@fansco.com

www.fansco.com

Limited partnership · Headquarters Mulfingen

Amtsgericht (court of registration) Stuttgart · HRA 590344

General partner Elektrobau Mulfingen GmbH · Headquarters Mulfingen

Amtsgericht (court of registration) Stuttgart · HRB 590142

Nominal data

Type	R2E160-AF24-10	
Motor	M2E068-BF	
Phase		1~
Nominal voltage	VAC	220
Nominal voltage range	VAC	220 .. 240
Frequency	Hz	50
Method of obtaining data		ce
Valid for approval/standard		CE
Speed (rpm)	min ⁻¹	1700
Power consumption	W	90
Current draw	A	0.42
Capacitor	µF	2
Capacitor voltage	VDB	450
Capacitor standard		S0 (CE)
Min. ambient temperature	°C	-25
Max. ambient temperature	°C	30

ml = Max. load · me = Max. efficiency · fa = Free air · cs = Customer specification · ce = Customer equipment
Subject to change



R2E160-AF24-10

AC centrifugal fan

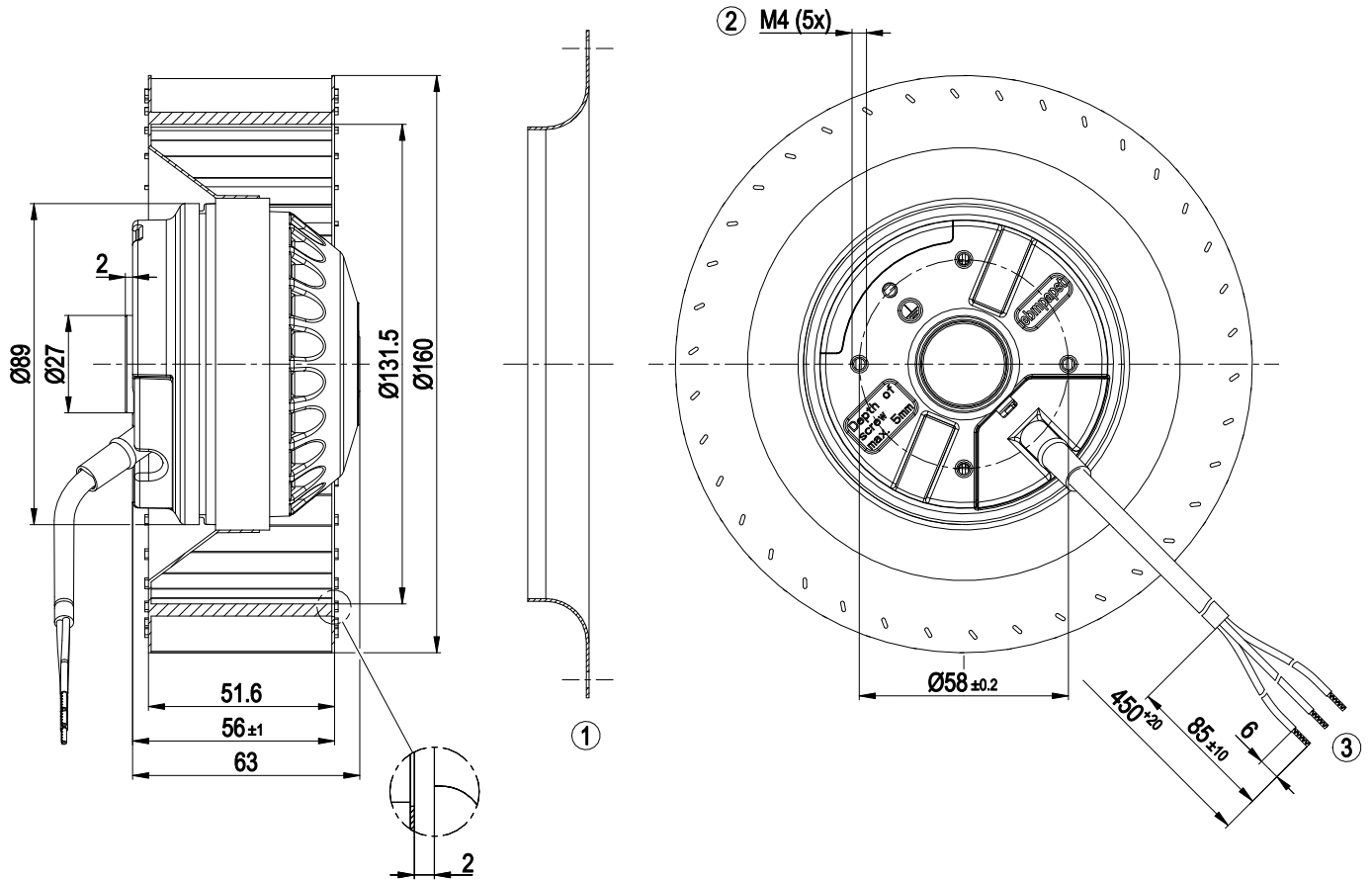
forward-curved, single-intake

Technical description

Weight	1.3 kg
Size	160 mm
Motor size	68
Rotor surface	Unpainted
Direction of rotation	Clockwise, viewed toward rotor
Degree of protection	IP44; installation- and position-dependent
Insulation class	"B"
Moisture (F) / Environmental (H) protection class	H0 - dry environment
Max. permitted ambient temp. for motor (transport/storage)	+ 80 °C
Min. permitted ambient temp. for motor (transport/storage)	- 40 °C
Installation position	Any
Condensation drainage holes	None
Mode	S1
Motor bearing	Ball bearing
Touch current according to IEC 60990 (measuring circuit Fig. 4, TN system)	< 0.75 mA
Motor protection	Thermal overload protector (TOP) internally connected
With cable	Variable
Protection class	I (if protective earth is connected by customer to the housing's connection point)
Conformity with standards	EN 60335-1; CE
Approval	EAC



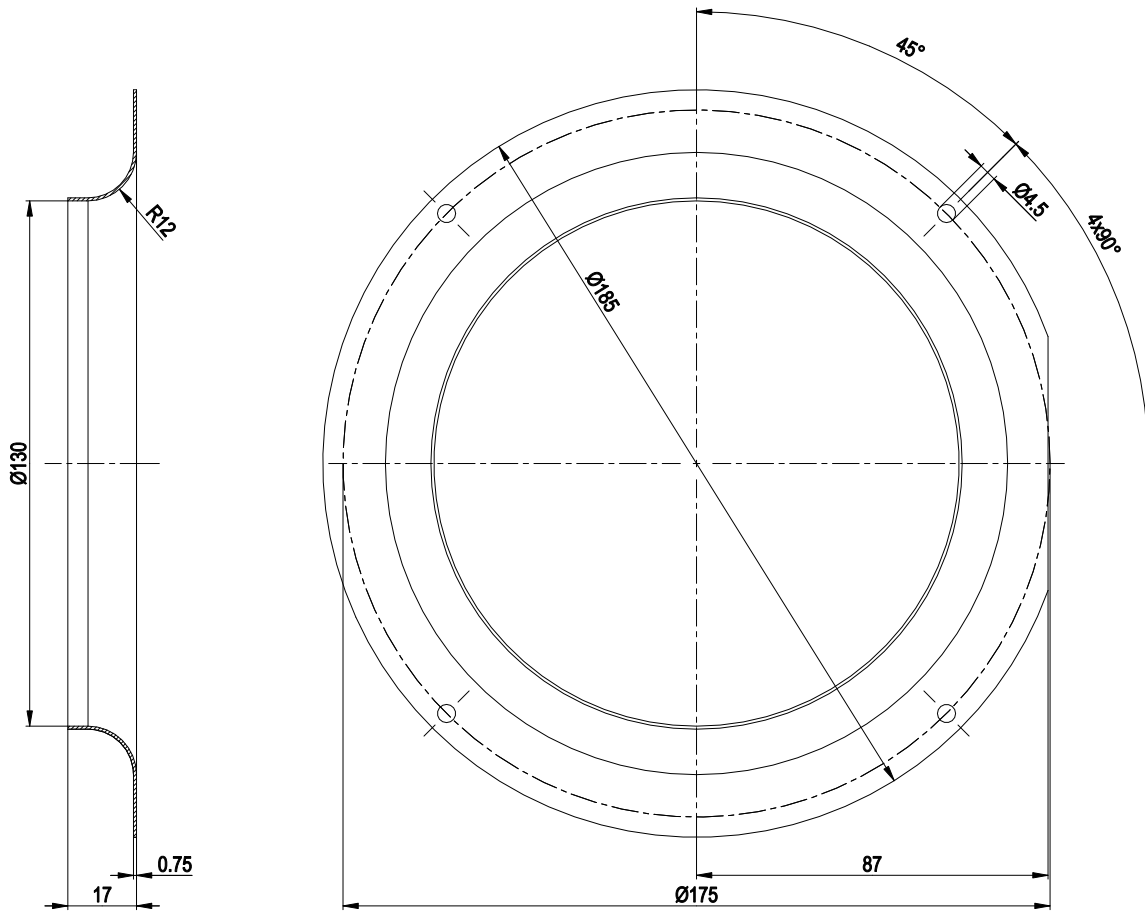
Product drawing



1	Accessory part: inlet ring 09588-2-4013 not included in scope of delivery
2	Max. clearance for screw 5 mm
3	Cable PVC 3x 0.5 mm ²
	3x splice

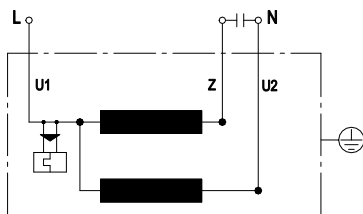


Accessory part



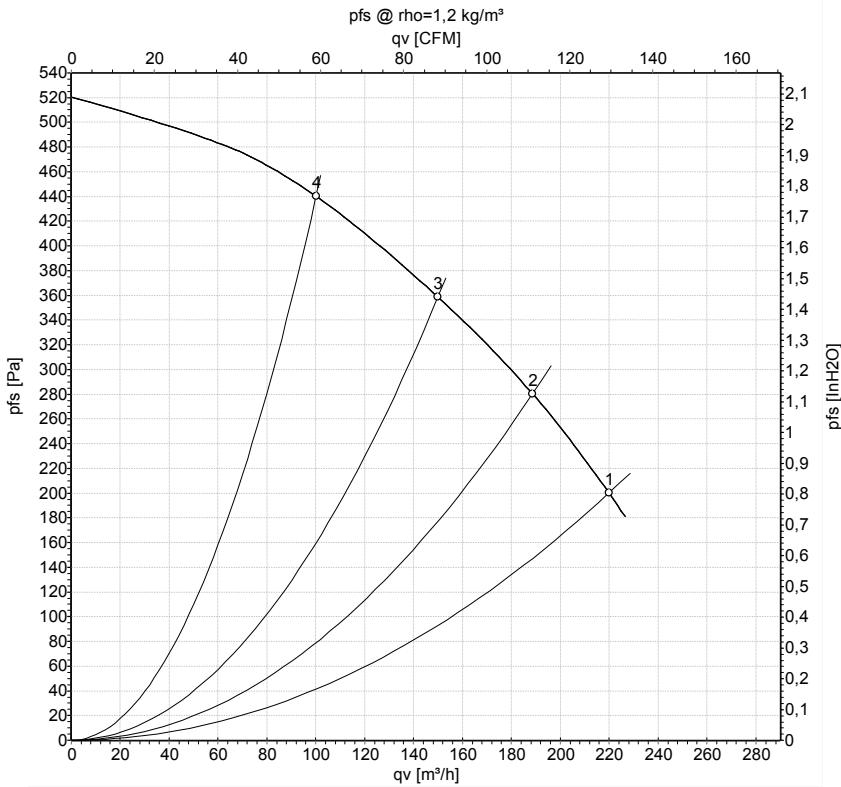
Accessory part: inlet ring 09588-2-4013 not included in scope of delivery

Connection diagram



U1	blue	Z	brown	U2	black
----	------	---	-------	----	-------

Curves: Air performance 50 Hz



Measurement: LU-9813-1

Air performance measured according to ISO 5801 installation category A. For detailed information on the measurement setup, contact ebm-papst. Intake sound level: Sound power level according to ISO 13347 / sound pressure level measured at 1 m distance from fan axis. The values given are valid under the specified measuring conditions and may vary due to conditions of installation. For deviations from the standard configuration, the parameters have to be checked on the installed unit.

Measured values

	U	f	n	P _e	I	q _v	p _{fs}	q _v	p _{fs}
	V	Hz	min ⁻¹	W	A	m ³ /h	Pa	cfm	in. wg
1	220	50	1700	90	0.42	220	200	130	0.80
2	220	50	1915	84	0.38	190	280	110	1.12
3	220	50	2150	78	0.35	150	360	90	1.45
4	220	50	2375	72	0.32	100	440	60	1.77

U = Voltage · f = Frequency · n = Speed (rpm) · P_e = Power consumption · I = Current draw · q_v = Air flow · p_{fs} = Pressure increase

