

AC centrifugal fan

backward curved
for solid fuel heating systems

R2E150-AN91-31 ebmpapst Datasheet
sales@fansco.com
www.fansco.com

Limited partnership · Headquarters Muldingen
County court Stuttgart · HRA 590344

General partner Elektrobau Muldingen GmbH · Headquarters Muldingen
County court Stuttgart · HRB 590142

Nominal data

Type	R2E150-AN91-31	
Motor	M2E068-BF	
Phase		1~
Nominal voltage	VAC	230
Frequency	Hz	50
Type of data definition		fa
Valid for approval / standard		CE
Speed	min ⁻¹	2400
Power input	W	32
Current draw	A	0.14
Motor capacitor	µF	1
Capacitor voltage	VDB	400
Min. back pressure	Pa	0
Max. ambient temperature	°C	80
Starting current	A	0.2

ml = max. load · me = max. efficiency · fa = running at free air · cs = customer specs · cu = customer unit
Subject to alterations



AC centrifugal fan

backward curved
for solid fuel heating systems

Technical features

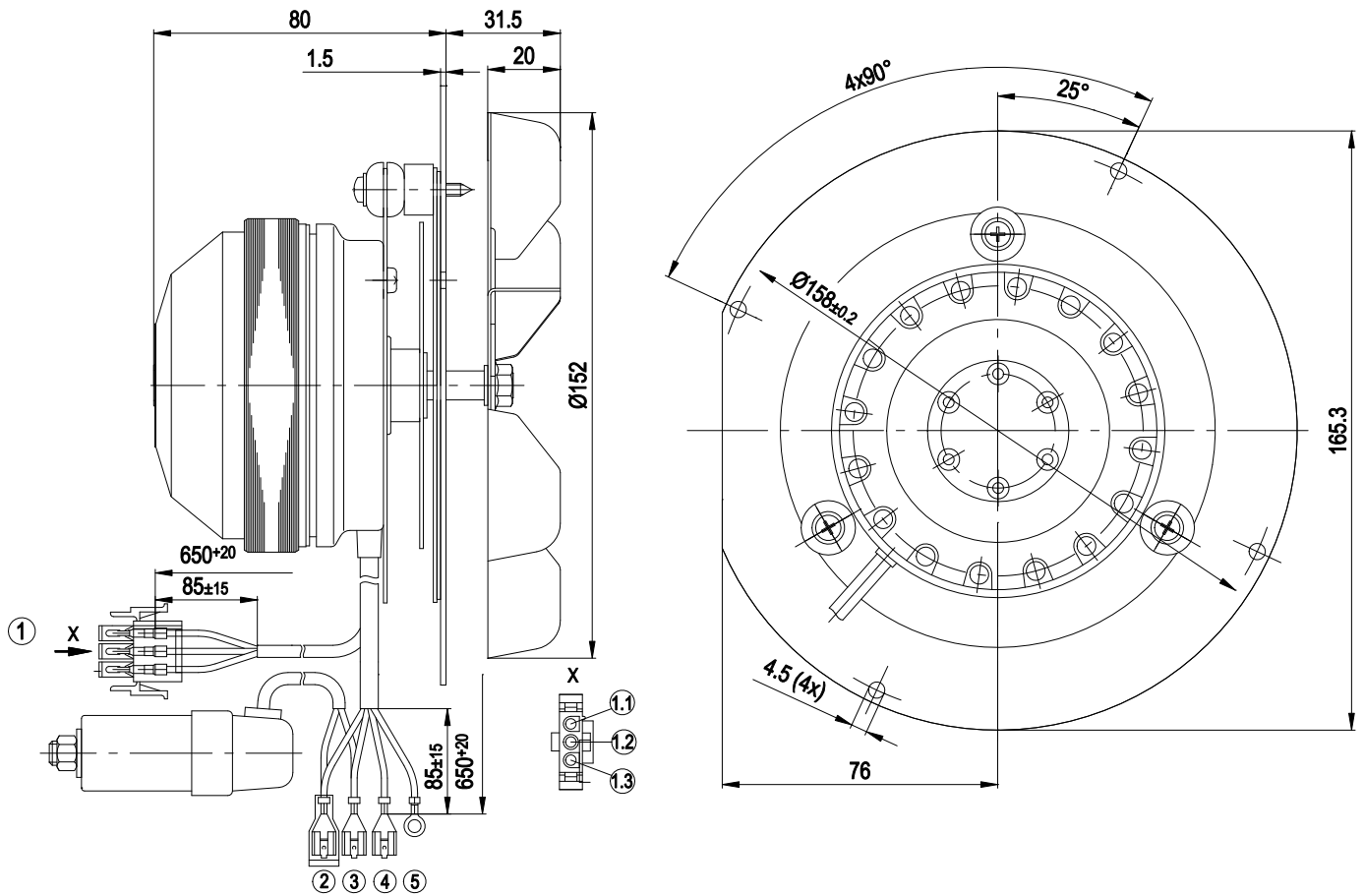
Mass	1.7 kg
Size	150 mm
Surface of rotor	Partially cast in aluminium
Material of impeller	Sheet steel, stainless
Material of mounting plate	Sheet steel, hot-galvanised
Number of blades	6
Motor suspension	Motor anti-vibration mounted on one side via mounting plate
Direction of rotation	Counter-clockwise, seen on rotor
Type of protection	IP 44; Depending on installation and position
Insulation class	"B"
Humidity class	F0
Max. permissible ambient motor temp. (transp./ storage)	+ 80 °C
Min. permissible ambient motor temp. (transp./storage)	- 40 °C
Mounting position	Any
Condensate discharge holes	None
Operation mode	S1
Motor bearing	Ball bearing
Touch current acc. IEC 60990 (measuring network Fig. 4, TN system)	< 0.75 mA
Motor protection	Thermal overload protector (TOP) wired internally
Cable exit	Lateral
Protection class	I (if protective earth is connected by customer)
Product conforming to standard	EN 60335-1; CE



AC centrifugal fan

backward curved
for solid fuel heating systems

Product drawing



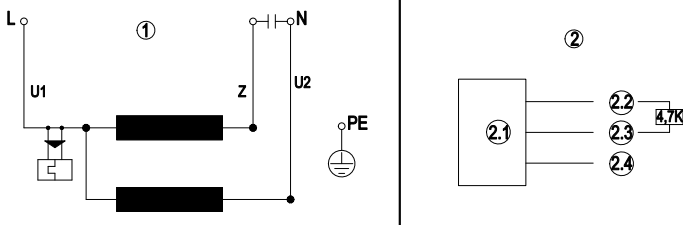
1	Connector shell AMP 356 756-4 with 3 x Plug pin AMP 926 885-1
1.1	+ / red
1.2	- / black
1.3	out / white
2	Receptacle for tabs AMP 160 256-1 with heat-shrinkable sleeve, insulated
3	Receptacle for tabs AMP 160 256-1, 6.3 x 0.8 mm
4	Receptacle for tabs AMP 160 389-3, 6.3 x 0.8 mm
5	Contact stud Ø4.3 x 7.0 x 9.5



AC centrifugal fan

backward curved
for solid fuel heating systems

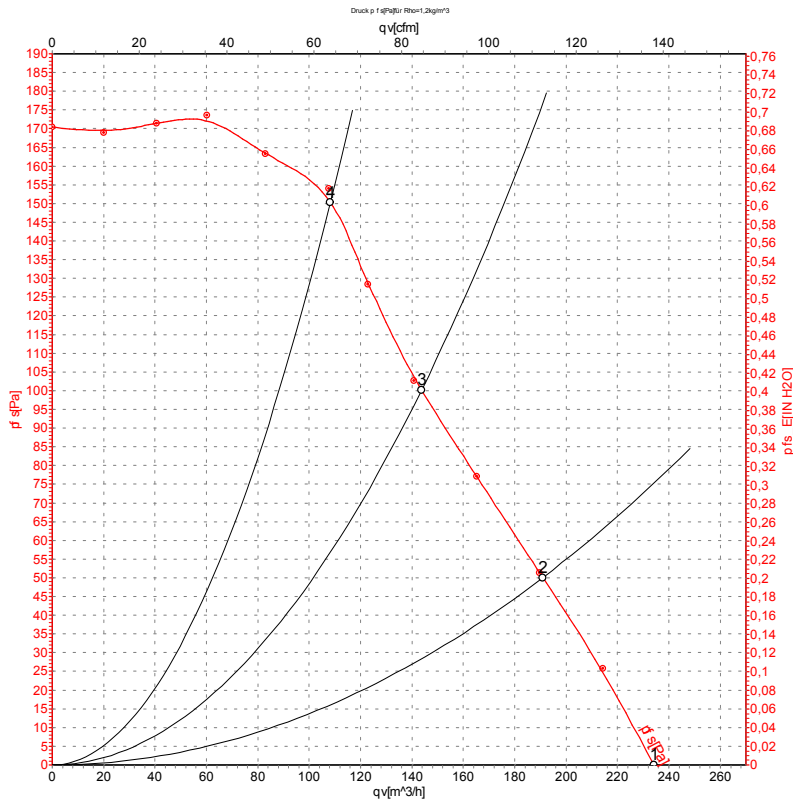
Connection screen



1	Fan connection diagram
U1	blue
Z	brown
U2	black
PE	green/yellow
2	Hall IC circuit
2.1	Hall IC
2.2	red (+5V)
2.3	white (out)
2.4	black (0V)



Charts: Air flow 50 Hz



Measurement: LU-75643

Air performance measured as per ISO 5801 Installation category A. For detailed information on the measuring set-up, please contact ebm-papst. Suction-side noise levels: L_{wA} measured as per ISO 13347 / L_{pA} measured with 1m distance to fan axis. The values given are valid under the measuring conditions mentioned above and may vary according to the actual installation situation. With any deviation from the standard set-up, the specific values have to be checked and reviewed with the unit installed.

Measured values

	U	f	n	P _e	I	qv	P _{fs}
	V	Hz	min ⁻¹	W	A	m ³ /h	Pa
1	230	50	2400	32	0.14	235	0
2	230	50	2375	32	0.14	190	50
3	230	50	2400	31	0.13	145	100
4	230	50	2500	29	0.13	110	150

U = Supply voltage · f = Frequency · n = Speed · P_e = Power input · I = Current draw · qv = Air flow · p_{fs} = Pressure increase

