

R2E150-AN91-01 ebmpapst Datasheet FansCo

sales@fansco.com

www.fansco.com

Nominal data

Type	R2E150-AN91-01	
Motor	M2E068-BF	
Phase		1~
Nominal voltage	VAC	230
Frequency	Hz	50
Type of data definition		fa
Valid for approval / standard		CE
Speed	min ⁻¹	2400
Power input	W	32
Current draw	A	0.15
Motor capacitor	μF	1
Capacitor voltage	VDB	400
Capacitor standard		P0 (CE)
Min. back pressure	Pa	0
Min. ambient temperature	°C	-25
Max. ambient temperature	°C	75

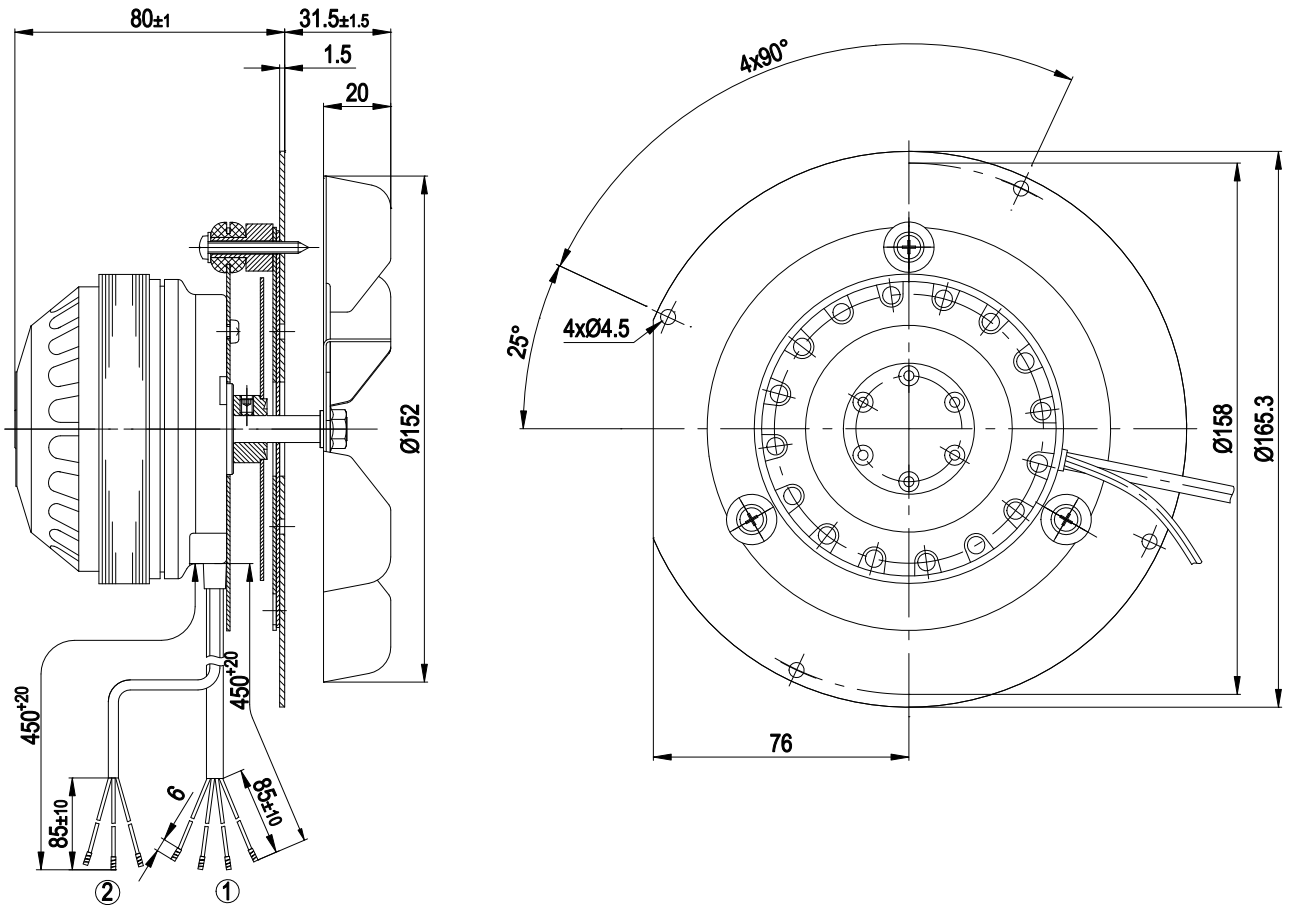
ml = Max. load · me = Max. efficiency · fa = Running at free air · cs = Customer specs · cu = Customer unit
Subject to alterations



Technical features

Mass	1.63 kg
Size	150 mm
Surface of rotor	Uncoated
Material of impeller	Sheet steel, stainless
Number of blades	6
Motor suspension	Motor anti-vibration mounted on one side via mounting plate
Direction of rotation	Counter-clockwise, seen on rotor
Type of protection	IP 44; Depending on installation and position
Insulation class	"F"
Humidity class	F0
Max. permissible ambient motor temp. (transp./ storage)	+ 80 °C
Min. permissible ambient motor temp. (transp./storage)	- 40 °C
Mounting position	Any
Condensate discharge holes	None
Operation mode	S1
Motor bearing	Ball bearing
Touch current acc. IEC 60990 (measuring network Fig. 4, TN system)	< 0.75 mA
Motor protection	Thermal overload protector (TOP) wired internally
Cable exit	Variable
Protection class	I (if protective earth is connected by customer)
Product conforming to standard	EN 60335-1; CE
Approval	EAC

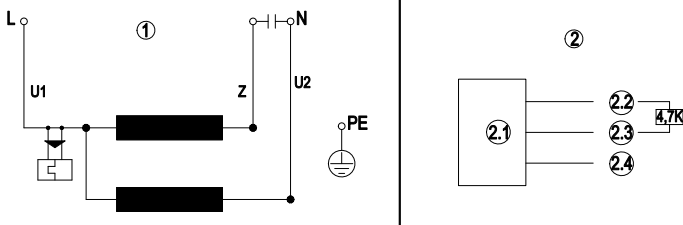
Product drawing



- 1 Connection line silicone, 4x brass lead tips crimped
- 2 Connection line, 3x brass lead tips crimped

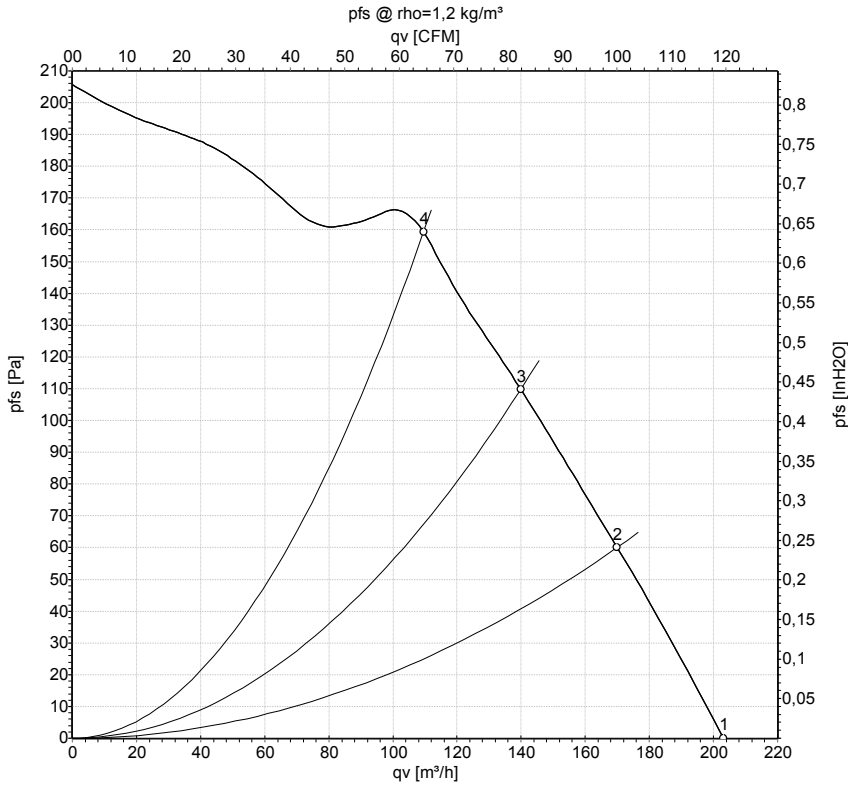


Connection screen



1	Fan connection diagram
U1	blue
Z	brown
U2	black
PE	green/yellow
2	Hall IC circuit
2.1	Hall IC
2.2	red (+5V)
2.3	white (out)
2.4	black (0V)

Charts: Air flow 50 Hz



Measurement: LU-143646

Air performance measured as per ISO 5801
 Installation category A. For detailed
 information on the measuring set-up, please
 contact ebm-papst. Suction-side noise
 levels: L_{wA} measured as per ISO 13347 /
 L_{pA} measured with 1m distance to fan axis.
 The values given are valid under the
 measuring conditions mentioned above and
 may vary according to the actual installation
 situation. With any deviation from the
 standard set-up, the specific values have to
 be checked and reviewed with the unit
 installed.

Measured values

	U	f	n	P _e	I	q _v	P _{fs}
	V	Hz	min ⁻¹	W	A	m ³ /h	Pa
1	230	50	2400	32	0.15	205	0
2	230	50	2390	31	0.14	170	60
3	230	50	2420	31	0.13	140	110
4	230	50	2485	29	0.13	110	160

U = Supply voltage · f = Frequency · n = Speed · P_e = Power input · I = Current draw · q_v = Air flow · P_{fs} = Pressure increase

