

for solid fuel heating systems

R2E150-AJ91-10 ebmpapst Datasheet

sales@fansco.com

www.fansco.com

Limited partnership · Headquarters Mulfingen
 County court Stuttgart · HRA 590344

General partner Elektrobau Mulfingen GmbH · Headquarters Mulfingen
 County court Stuttgart · HRB 590142

Nominal data

Type	R2E150-AJ91-10	
Motor	M2E068-BF	
Phase		1~
Nominal voltage	VAC	230
Frequency	Hz	50
Type of data definition		fa
Valid for approval / standard		CE
Speed	min ⁻¹	2230
Power input	W	34
Current draw	A	0.15
Motor capacitor	µF	1
Capacitor voltage	VDB	400
Max. ambient temperature	°C	100
Starting current	A	0.2

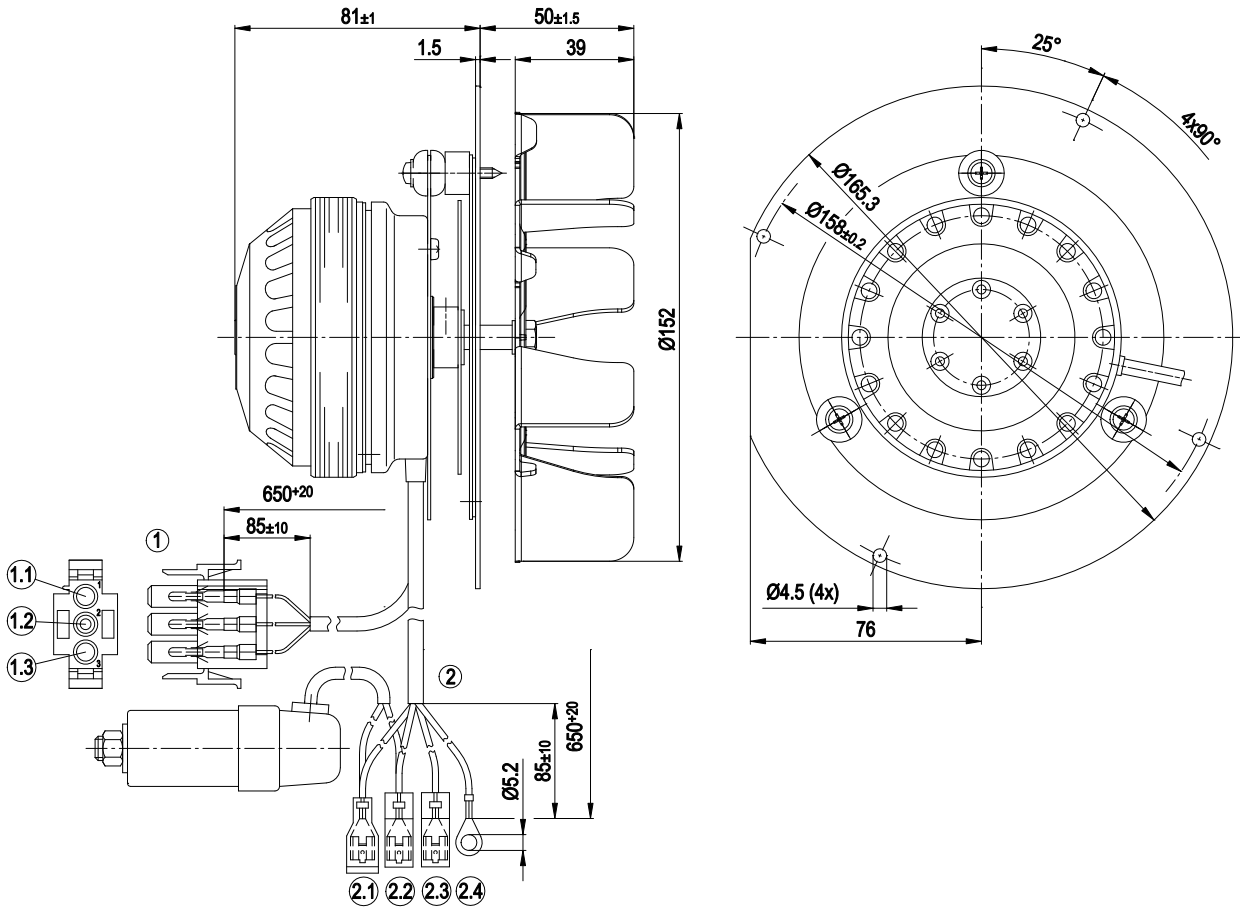
ml = Max. load · me = Max. efficiency · fa = Running at free air · cs = Customer specs · cu = Customer unit
 Subject to alterations



Technical features

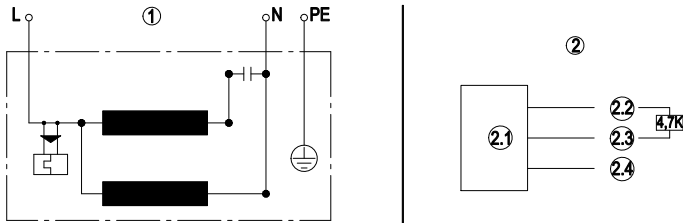
Mass	2.1 kg
Size	150 mm
Surface of rotor	Uncoated
Material of impeller	Sheet steel, stainless
Number of blades	6
Motor suspension	Motor anti-vibration mounted on one side via mounting plate
Direction of rotation	Counter-clockwise, seen on rotor
Type of protection	IP 44; Depending on installation and position
Insulation class	"F"
Humidity class	F0
Max. permissible ambient motor temp. (transp./ storage)	+ 80 °C
Min. permissible ambient motor temp. (transp./storage)	- 40 °C
Mounting position	Any
Condensate discharge holes	None
Operation mode	S1
Motor bearing	Ball bearing
Touch current acc. IEC 60990 (measuring network Fig. 4, TN system)	< 0.75 mA
Motor protection	Thermal overload protector (TOP) wired internally
Cable exit	Lateral
Protection class	I (if protective earth is connected by customer)
Product conforming to standard	EN 60335-1; CE

Product drawing



1	Connection line Raychem Spec. 44 AWG24 with connector housing AMP 350 766-4 and 3x plug pin AMP 926 885-1
1.1	+ / red
1.2	- / black
1.3	out / white
2	Connection line silicone 4G 0.5 mm ²
2.1	Receptacle for tabs AMP 3-160 256-1 with heat-shrinkable sleeve, insulated
2.2	Receptacle for tabs AMP 3-160 256-1 6.3 x 0.8 mm with connector shell AMP 1-735075-0
2.3	Receptacle for tabs AMP 160 389-3, 6.3 x 0.8 mm with connector shell AMP 1-735075-0
2.4	Contact stud

Connection screen



1	Fan connection diagram
---	------------------------

L	blue
---	------

N	black
---	-------

PE	green/yellow
----	--------------

2	Hall IC circuit
---	-----------------

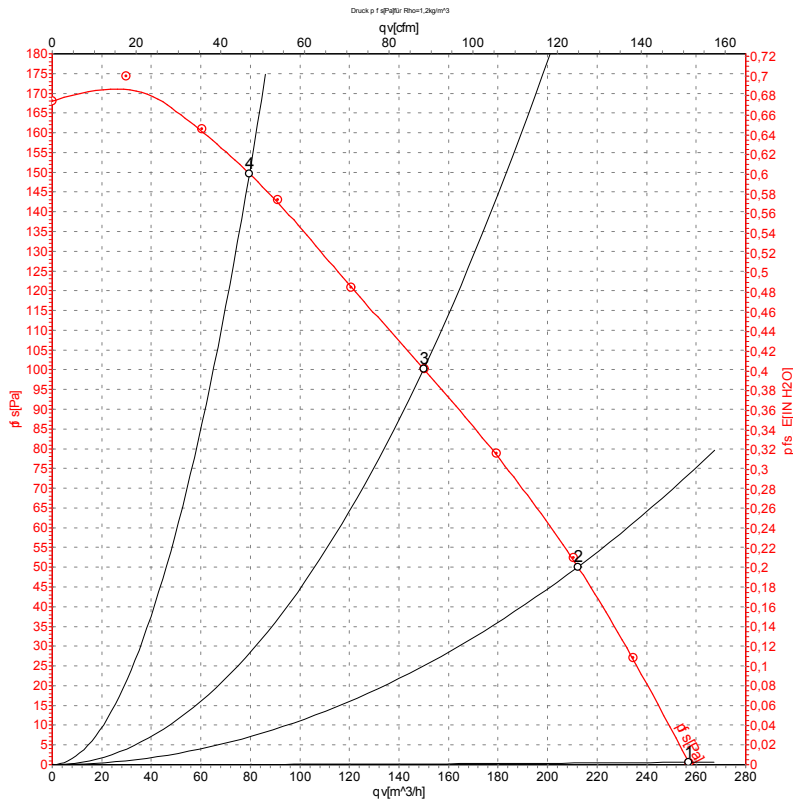
2.1	Hall IC
-----	---------

2.2	Red (+5V)
-----	-----------

2.3	White (out)
-----	-------------

2.4	Black (0V)
-----	------------

Charts: Air flow 50 Hz



Measurement: LU-124248

Air performance measured as per ISO 5801 Installation category A. For detailed information on the measuring set-up, please contact ebmpapst. Suction-side noise levels: LwA measured as per ISO 13347 / LpA measured with 1m distance to fan axis. The values given are valid under the measuring conditions mentioned above and may vary according to the actual installation situation. With any deviation from the standard set-up, the specific values have to be checked and reviewed with the unit installed.

Measured values

	U	f	n	P _e	I	qv	P _{fs}
	V	Hz	min ⁻¹	W	A	m ³ /h	Pa
1	230	50	2230	34	0.15	255	0
2	230	50	2280	33	0.14	210	50
3	230	50	2330	32	0.14	150	100
4	230	50	2445	31	0.13	80	150

U = Supply voltage · f = Frequency · n = Speed · P_e = Power input · I = Current draw · qv = Air flow · P_{fs} = Pressure increase

