

R2E146-BE06-22 ebmpapst Datasheet

sales@fansco.com

www.fansco.com

Limited partnership · Headquarters Mulfingen  
County court Stuttgart · HRA 590344

General partner: Elektrobau Mulfingen GmbH · Headquarters Mulfingen  
County court Stuttgart · HRB 590142

## Nominal data

Type	R2E146-BE06-22	
Motor	M2E068-BF	
Phase		1~
Nominal voltage	VAC	230
Nominal voltage range	VAC	220 .. 240
Frequency	Hz	50
Type of data definition		cu
Valid for approval / standard		CE
Speed	min <sup>-1</sup>	1600
Power input	W	105
Current draw	A	0.48
Motor capacitor	µF	2
Capacitor voltage	VDB	450
Capacitor standard		P2 (CE)
Min. back pressure	Pa	0
Max. ambient temperature	°C	30

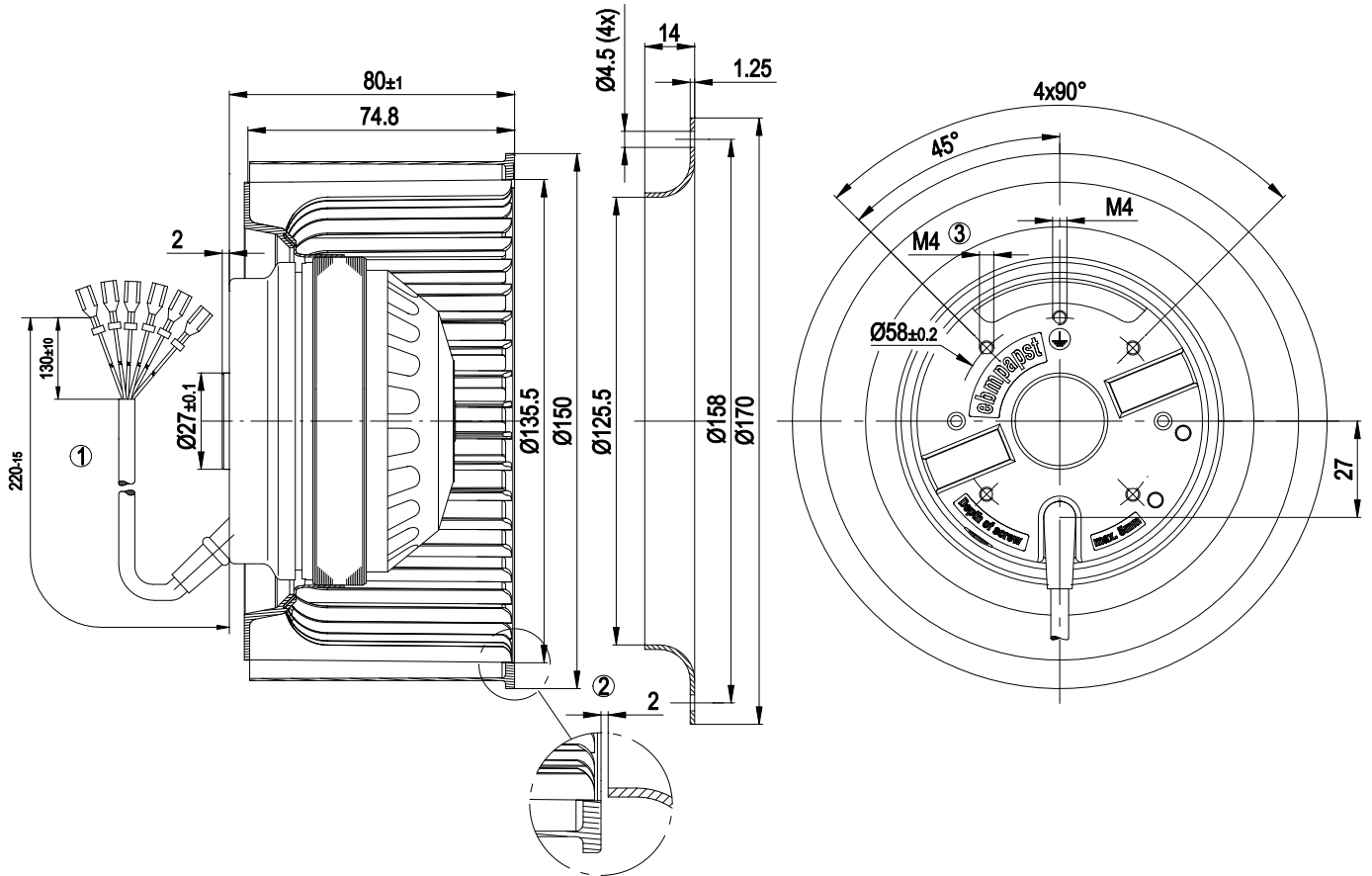
ml = max. load · me = max. efficiency · fa = running at free air · cs = customer specs · cu = customer unit  
Subject to alterations



### Technical features

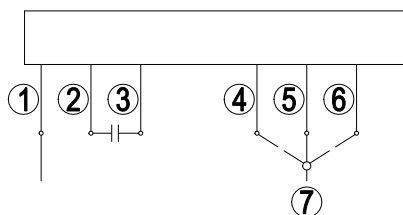
Mass	1.14 kg
Size	146 mm
Material of impeller	PP plastic, white
Direction of rotation	Clockwise, seen on rotor
Type of protection	IP 44; Depending on installation and position
Insulation class	"B"
Humidity class	F0
Max. permissible ambient motor temp. (transp./ storage)	+ 80 °C
Min. permissible ambient motor temp. (transp./storage)	- 40 °C
Mounting position	Any
Condensate discharge holes	None
Operation mode	S1
Motor bearing	Ball bearing
Speed steps	3
Leakage current	< 0.75 mA
Motor protection	Thermal overload protector (TOP) wired internally
Cable exit	Variable
Protection class	I (if earth wire is connected by customer)
Product conforming to standard	EN 60335-1; CE

Product drawing



1	Connection line AWG 20, 6x receptacles for tabs RSB 7960.020
2	Accessory part: Inlet nozzle 09576-2-4013, not included in the standard scope of delivery.
3	Depth of screw max. 5 mm

## Connection screen



Note: Fast speed (step III); slow speed (step I)

1	= N = blue	2	white	3	grey
4	Step I yellow	5	Step II red	6	Step III black
7	L1				