

R2E140-BR64-25 ebmpapst Datasheet

sales@fansco.com

www.fansco.com

Limited partnership · Headquarters Muldingen  
County court Stuttgart · HRA 590344

General partner Elektrobau Muldingen GmbH · Headquarters Muldingen  
County court Stuttgart · HRB 590142

## Nominal data

Type	R2E140-BR64-25	
Motor	M2E052-CA	
Phase		1~
Nominal voltage range	VAC	220 .. 240
Frequency	Hz	50
Type of data definition		cs
Valid for approval / standard		CE
Speed	min <sup>-1</sup>	1800
Power input	W	50
Current draw	A	0.24
Motor capacitor	µF	1
Capacitor voltage	VDB	400
Capacitor standard		P0 (CE)
Min. ambient temperature	°C	-25
Max. ambient temperature	°C	-

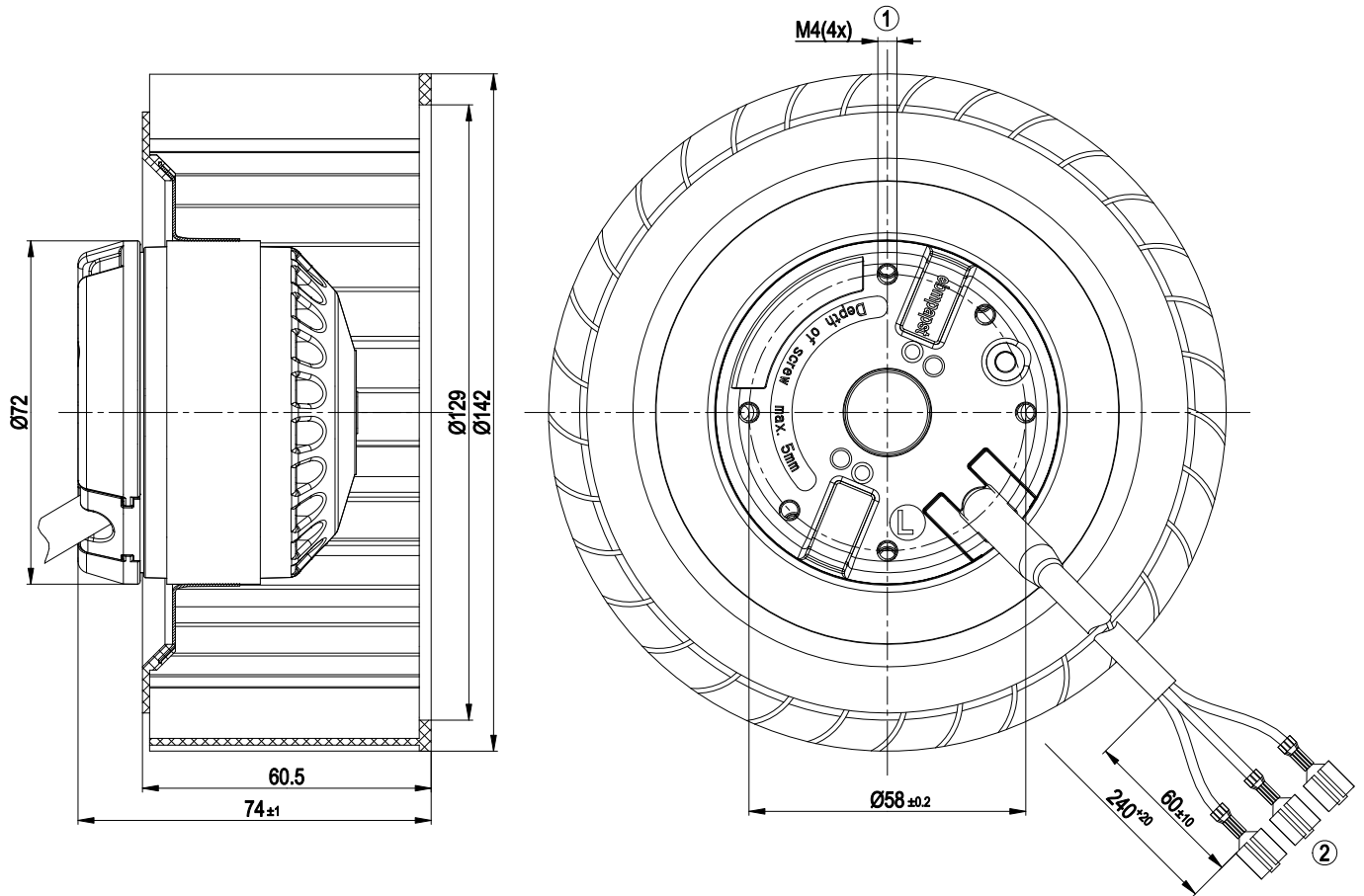
ml = max. load · me = max. efficiency · fa = running at free air · cs = customer specs · cu = customer unit  
Subject to alterations



### Technical features

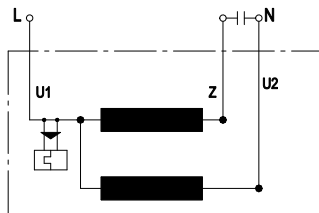
<b>Mass</b>	0.8 kg
<b>Size</b>	140 mm
<b>Material of impeller</b>	PA6 plastic
<b>Direction of rotation</b>	Counter-clockwise, seen on rotor
<b>Type of protection</b>	IP 44; Depending on installation and position
<b>Insulation class</b>	"B"
<b>Max. permissible ambient motor temp. (transp./ storage)</b>	+ 80 °C
<b>Min. permissible ambient motor temp. (transp./storage)</b>	- 40 °C
<b>Mounting position</b>	Any, horizontal preferred
<b>Condensate discharge holes</b>	None
<b>Operation mode</b>	S1
<b>Motor bearing</b>	Twin bearing
<b>Touch current acc. IEC 60990 (measuring network Fig. 4, TN system)</b>	< 0.75 mA
<b>Electrical leads</b>	With plug
<b>Motor protection</b>	Thermal overload protector (TOP) wired internally
<b>Cable exit</b>	Variable
<b>Protection class</b>	I (if protective earth is connected by customer)
<b>Product conforming to standard</b>	EN 60335-1; CE

## Product drawing



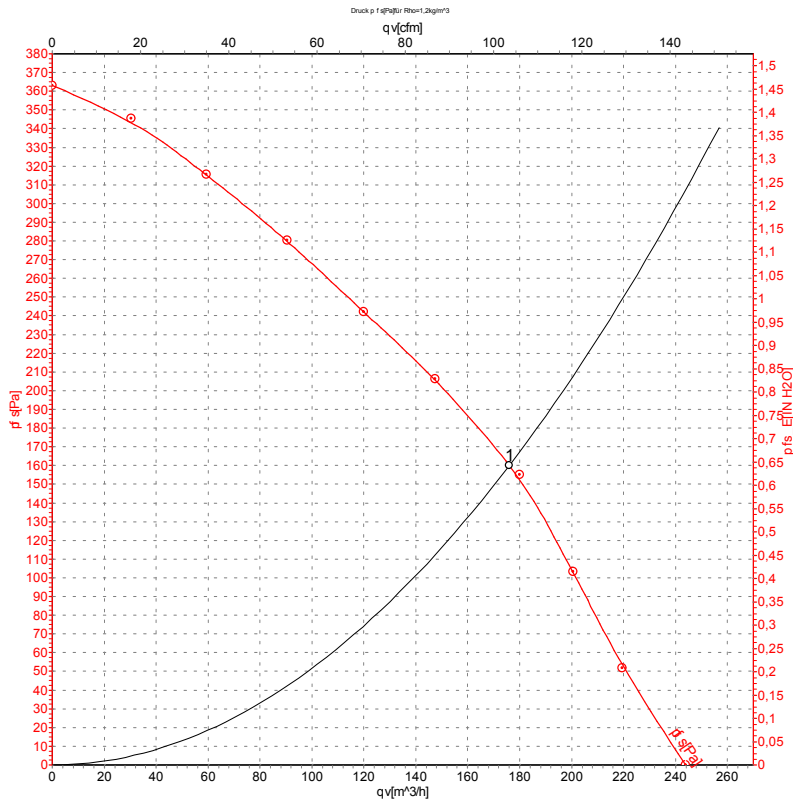
- |   |   |
|---|---|
| 1 | Depth of screw max. 5 mm  |
| 2 | Connection line PVC 3X 0.5 mm <sup>2</sup> , 3x receptacles for tabs 6.3 x 0.8, crimped |

## Connection screen



U1	Blue	Z	brown	U2	black
----	------	---	-------	----	-------

## Charts: Air flow 50 Hz



Measurement: LU-72071

Air performance measured as per ISO 5801 Installation category A. For detailed information on the measuring set-up, please contact ebm-papst. Suction-side noise levels: L<sub>wA</sub> measured as per ISO 13347 / L<sub>pA</sub> measured with 1m distance to fan axis. The values given are valid under the measuring conditions mentioned above and may vary according to the actual installation situation. With any deviation from the standard set-up, the specific values have to be checked and reviewed with the unit installed.

## Measured values

	U	f	n	P <sub>e</sub>	I	qv	p <sub>fs</sub>
	V	Hz	min <sup>-1</sup>	W	A	m <sup>3</sup> /h	Pa
1	230	50	1800	50	0.24	175	160

U = Supply voltage · f = Frequency · n = Speed · P<sub>e</sub> = Power input · I = Current draw · qv = Air flow · p<sub>fs</sub> = Pressure increase

