

AC centrifugal fan

forward curved

R2E140-BR64-23 ebmpapst Datasheet

sales@fansco.com

www.fansco.com

Limited partnership · Headquarters Muldingen
 County court Stuttgart · HRA 590344

General partner Elektrobau Muldingen GmbH · Headquarters Muldingen
 County court Stuttgart · HRB 590142

Nominal data

Type	R2E140-BR64-23	
Motor	M2E052-CA	
Phase		1~
Nominal voltage	VAC	230
Frequency	Hz	50/60Hz
Type of data definition		
Valid for approval / standard		CE
Speed	min ⁻¹	950
Power input	W	55/56
Current draw	A	0.25
Motor capacitor	µF	1
Capacitor voltage	VDB	400
Capacitor standard		P0 (CE)
Max. ambient temperature	°C	-

ml = max. load · me = max. efficiency · fa = running at free air · cs = customer specs · cu = customer unit
 Subject to alterations

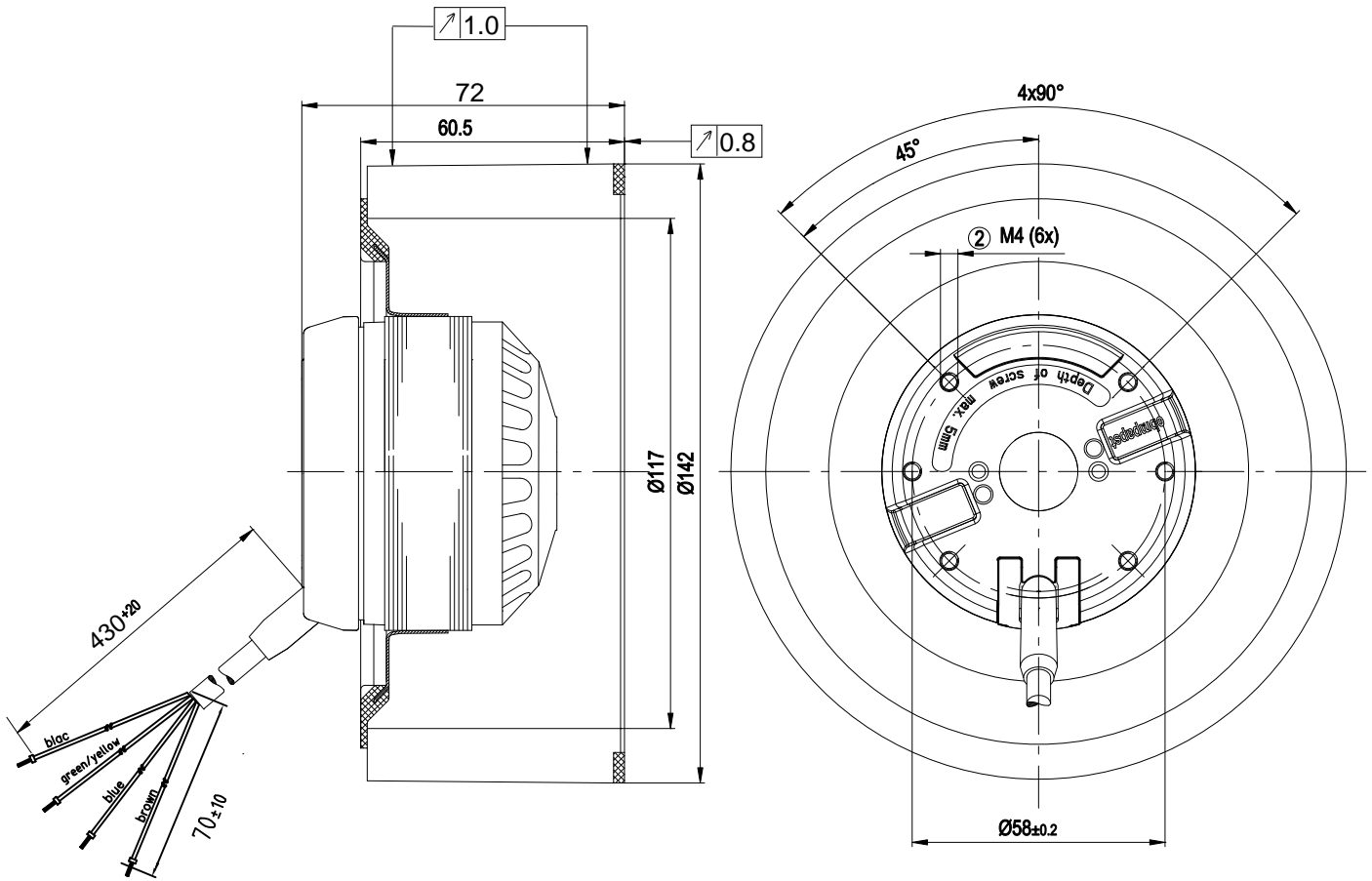


Technical features

Mass	0.8 kg
Size	140 mm
Material of impeller	Plastic PA6
Direction of rotation	Clockwise, seen on rotor
Type of protection	IP 44; Depending on installation and position
Insulation class	"B"
Max. permissible ambient motor temp. (transp./ storage)	+ 80 °C
Min. permissible ambient motor temp. (transp./storage)	- 40 °C
Mounting position	Any
Condensate discharge holes	None
Operation mode	S1
Motor bearing	ball bearing
Touch current acc. IEC 60990 (measuring network Fig. 4, TN system)	< 0.75 mA
Electrical leads	With plug
Motor protection	Thermal overload protector (TOP) wired internally
Cable exit	Variable
Protection class	I (if protective earth is connected by customer)
Product conforming to standard	EN 60335-1; CE

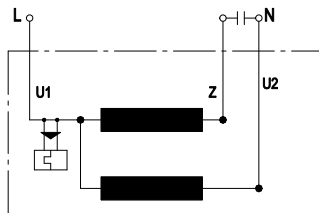


Product drawing



- 1 Connection line PVC 4x0.5 mm² , 4 pcs brass tips
- 2 Depth of screw max. 5 mm

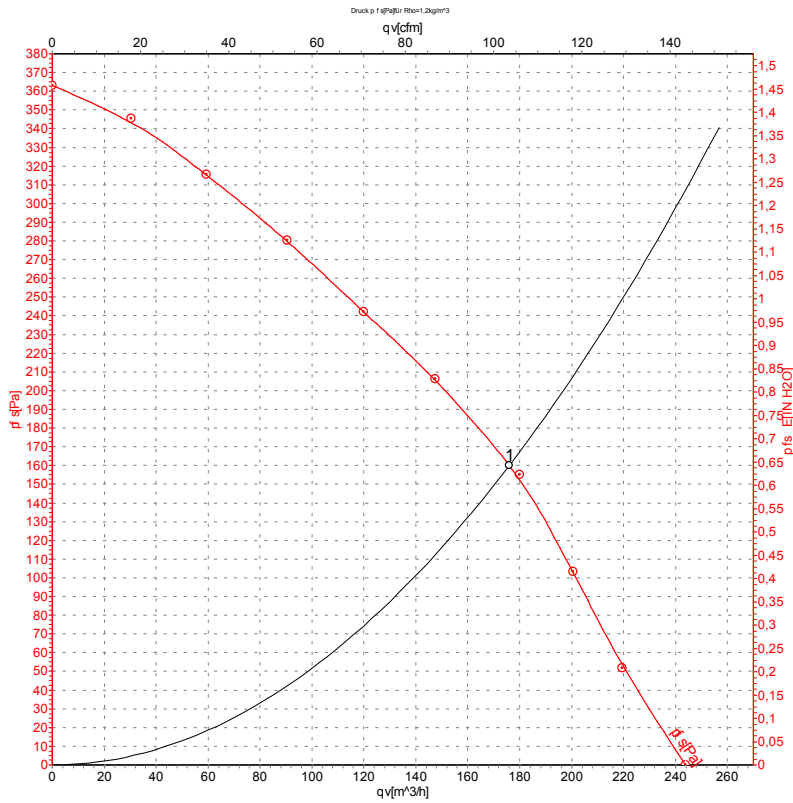
Connection screen



U1	Blue	Z	brown	U2	black
----	------	---	-------	----	-------



Charts: Air flow 50 Hz



Measurement: LU-72071

Air performance measured as per ISO 5801 Installation category A. For detailed information on the measuring set-up, please contact ebm-papst. Suction-side noise levels: LwA measured as per ISO 13347 / LpA measured with 1m distance to fan axis. The values given are valid under the measuring conditions mentioned above and may vary according to the actual installation situation. With any deviation from the standard set-up, the specific values have to be checked and reviewed with the unit installed.

Measured values

	U	f	n	P _e	I	qv	p _{fs}
	V	Hz	min ⁻¹	W	A	m ³ /h	Pa
1	230	50	1800	50	0.24	175	160

U = Supply voltage · f = Frequency · n = Speed · P_e = Power input · I = Current draw · qv = Air flow · p_{fs} = Pressure increase

