

# AC centrifugal fan

forward-curved, single-intake

R2E140-BO10-22 ebmpapst Datasheet FansCo  
 sales@fansco.com  
 www.fansco.com

## Nominal data

|                          |                   |      |
|--------------------------|-------------------|------|
| Type                     | R2E140-BO10-22    |      |
| Motor                    | M2E068-CA         |      |
| Phase                    |                   | 1~   |
| Nominal voltage          | VAC               | 230  |
| Frequency                | Hz                | 50   |
| Method of obtaining data |                   | fa   |
| Speed (rpm)              | min <sup>-1</sup> | 1850 |
| Power consumption        | W                 | 140  |
| Current draw             | A                 | 0.63 |
| Capacitor                | µF                | 2    |
| Capacitor voltage        | VDB               | 450  |
| Min. ambient temperature | °C                | -25  |
| Max. ambient temperature | °C                | 45   |

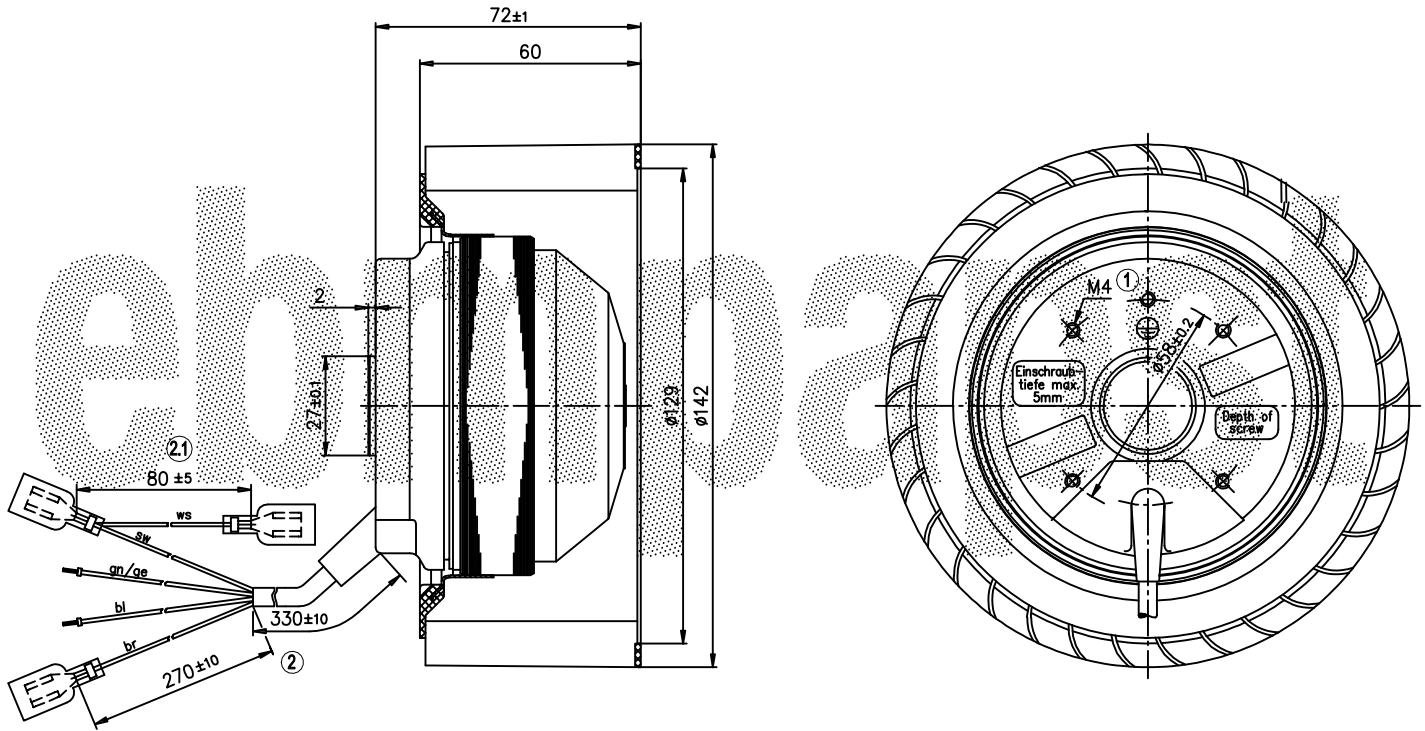
ml = Max. load · me = Max. efficiency · fa = Free air · cs = Customer specification · ce = Customer equipment  
 Subject to change

## Technical description

|  |  |
|--|--|
| Weight   | 1.4 kg   |
| Fan size   | 140 mm   |
| Impeller material  | plastic  |
| Direction of rotation  | Clockwise, viewed toward rotor                               |
| Degree of protection   | IP44; installation- and position-dependent as per EN 60034-5 |
| Insulation class   | "B"  |
| Moisture (F) / Environmental (H) protection class                          | F1-1   |
| Max. permitted ambient temp. for motor (transport/storage)                 | + 80 °C  |
| Min. permitted ambient temp. for motor (transport/storage)                 | - 40 °C  |
| Installation position  | any  |
| Mode   | S1   |
| Motor bearing  | Ball bearing   |
| Touch current according to IEC 60990 (measuring circuit Fig. 4, TN system) | < 0.75 mA  |
| Motor protection   | Thermal overload protector (TOP) wired internally            |
| With cable   | Variable   |
| Protection class   | I (with customer connection of protective earth)             |
| Approval   | CCC  |

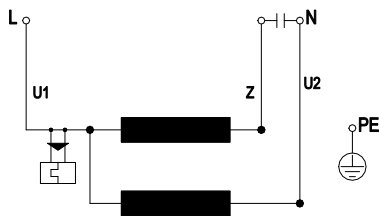


## Product drawing



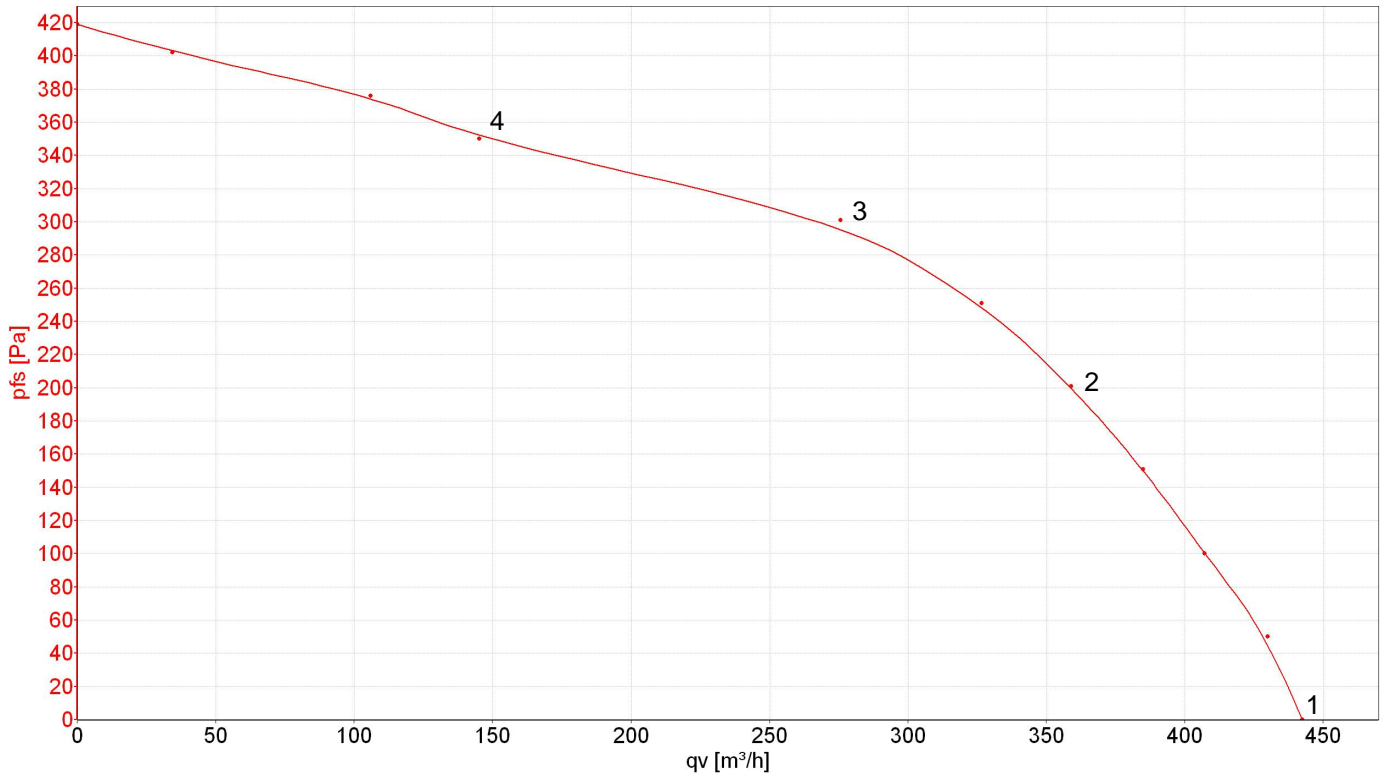
|     |  |
|-----|--|
| 1   | Max. clearance for screw 5 mm  |
| 2   | Cable PVC 4G 0.5 mm <sup>2</sup> , 2x wire-end ferrule (925552-1), 1x flat push-on receptacle 6.3 - 0.8 (160389-3), 1x flat push-on receptacle 6.3 - 0.8 (3-160256-1) crimped. |
| 2.1 | Wire AWG 20-300V, flat push-on receptacle 6.3 - 0.8 (160389-3)   |

## Connection diagram



|    |              |   |       |    |       |
|----|--------------|---|-------|----|-------|
| U1 | blue         | Z | brown | U2 | black |
| PE | green/yellow |   |       |    |       |

## Curves: Air performance 50 Hz



## Measured values

|   | U   | f  | n                 | P <sub>e</sub> | I    | qv                | p <sub>fs</sub> |
|---|-----|----|-------------------|----------------|------|-------------------|-----------------|
|   | V   | Hz | min <sup>-1</sup> | W              | A    | m <sup>3</sup> /h | Pa              |
| 1 | 230 | 50 | 1850              | 140            | 0.63 | 442               | 0               |
| 2 | 230 | 50 | 2245              | 120            | 0.54 | 359               | 201             |
| 3 | 230 | 50 | 2440              | 104            | 0.48 | 276               | 301             |
| 4 | 230 | 50 | 2655              | 88             | 0.45 | 145               | 350             |

U = Supply voltage · f = Frequency · n = Speed · P<sub>e</sub> = Power input · I = Current draw · qv = Air flow · p<sub>fs</sub> = Pressure increase