

R2E140-AL90-53 ebmpapst Datasheet

sales@fansco.com

www.fansco.com

Limited partnership · Headquarters Muldingen  
County court Stuttgart · HRA 590344

General partner Elektrobau Muldingen GmbH · Headquarters Muldingen  
County court Stuttgart · HRB 590142

## Nominal data

Type	R2E140-AL90-53	
Motor	M2E068-CF	
Phase		1~
Nominal voltage	VAC	230
Frequency	Hz	50
Type of data definition		cu
Valid for approval / standard		CE
Speed (rpm)	min <sup>-1</sup>	2400
Power input	W	120
Current draw	A	0.53
Motor capacitor	µF	3
Capacitor voltage	VDB	400
Capacitor standard		S0 (CE)
Min. back pressure	Pa	280
Min. ambient temperature	°C	-25
Max. ambient temperature	°C	60
Starting current	A	0.86

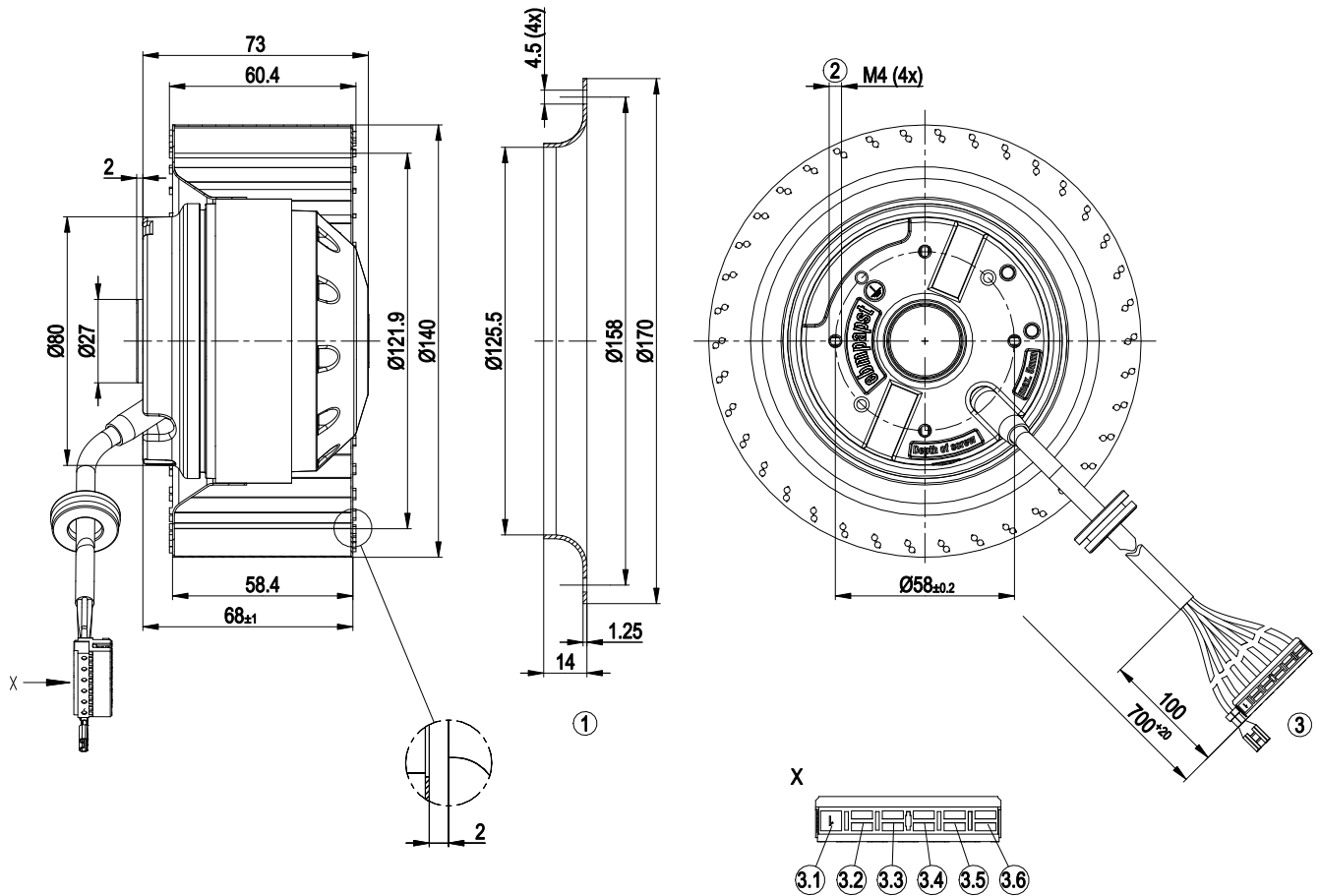
ml = Max. load · me = Max. efficiency · fa = Running at free air · cs = Customer specs · cu = Customer unit  
Subject to alterations



### Technical features

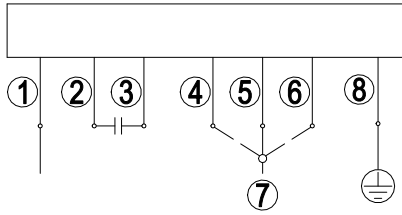
Mass	1.7 kg
Size	140 mm
Surface of rotor	Uncoated
Material of impeller	Sheet steel, galvanised
Direction of rotation	Clockwise, seen on rotor
Type of protection	IP 44; Depending on installation and position
Insulation class	"F"
Humidity (F)/environmental protection class (H)	F1-1
Max. permissible ambient motor temp. (transp./ storage)	+ 80 °C
Min. permissible ambient motor temp. (transp./storage)	- 40 °C
Mounting position	Any
Condensate discharge holes	None
Operation mode	S1
Motor bearing	Ball bearing
Speed steps	3
Touch current acc. IEC 60990 (measuring network Fig. 4, TN system)	< 0.75 mA
Electrical leads	With plug
Motor protection	Thermal overload protector (TOP) wired internally
Cable exit	Variable
Protection class	I (if protective earth is connected by customer)
Product conforming to standard	EN 60335-1; CE
Approval	VDE

## Product drawing



1	Accessory part: Inlet nozzle 09576-2-4013 not included in scope of delivery
2	Thread reach max. 5 mm
3	Connection line PFA AWG20; 1x Stocko MFMP 6-pole connector housing 7262-006-003-960-000-00-G, 1x threaded pin 4.8x0.8, crimped
3.1	blue
3.2	brown
3.3	yellow
3.4	white
3.5	grey
3.6	black

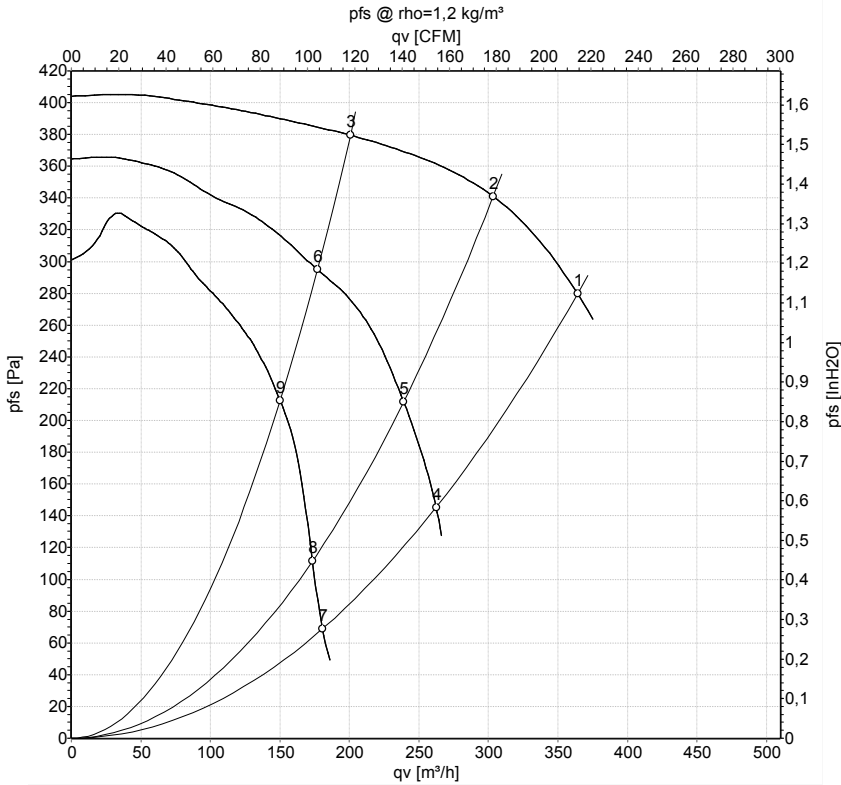
## Connection screen



Note: Fast speed (level III); slow speed (level I)

1	blue (N)	2	brown	3	yellow
4	Level 1 (white)	5	Level 2 (grey)	6	Level 3 (black)
7	L1	8	PE (green/yellow)		

## Charts: Air flow 50 Hz



Measurement: LU-150168-1  
 Measurement: LU-150172-1  
 Measurement: LU-150174-1

Air performance measured as per ISO 5801  
 Installation category A. For detailed  
 information on the measuring set-up, please  
 contact ebm-papst. Suction-side noise  
 levels: LwA measured as per ISO 13347 /  
 LpA measured with 1m distance to fan axis.  
 The values given are valid under the  
 measuring conditions mentioned above and  
 may vary according to the actual installation  
 situation. With any deviation from the  
 standard set-up, the specific values have to  
 be checked and reviewed with the unit  
 installed.

## Measured values

	U	f	n	P <sub>e</sub>	I	q <sub>v</sub>	p <sub>fs</sub>	q <sub>v</sub>	p <sub>fs</sub>
	V	Hz	min <sup>-1</sup>	W	A	m <sup>3</sup> /h	Pa	cfm	in. wg
1	230	50	2400	120	0.53	365	280	215	1.12
2	230	50	2525	105	0.46	305	340	180	1.36
3	230	50	2655	90	0.39	200	380	120	1.53
4	230	50	1745	104	0.46	260	148	155	0.59
5	230	50	2020	94	0.42	240	212	140	0.85
6	230	50	2350	77	0.35	175	295	105	1.18
7	230	50	1170	96	0.42	180	61	105	0.24
8	230	50	1465	90	0.40	175	111	100	0.45
9	230	50	2010	77	0.34	150	214	90	0.86

U = Supply voltage · f = Frequency · n = Speed (rpm) · P<sub>e</sub> = Power input · I = Current draw · q<sub>v</sub> = Air flow · p<sub>fs</sub> = Pressure increase

