

R2E140-AE77-C3 ebmpapst Datasheet FansCo

sales@fansco.com

www.fansco.com

Nominal data

| | | | |
|-----------------------------|-------------------|------|------|
| Type | R2E140-AE77-C3 | | |
| Motor | M2E068-BF | | |
| Phase | | 1~ | 1~ |
| Nominal voltage | VAC | 230 | 230 |
| Frequency | Hz | 50 | 60 |
| Method of obtaining data | | fa | ml |
| Valid for approval/standard | | CE | CE |
| Speed (rpm) | min ⁻¹ | 1400 | 1500 |
| Power consumption | W | 105 | 115 |
| Current draw | A | 0.46 | 0.51 |
| Capacitor | µF | 2 | 2 |
| Capacitor voltage | VDB | 450 | 450 |
| Min. back pressure | Pa | 0 | 50 |
| Min. back pressure | in. wg | 0 | 0.2 |
| Min. ambient temperature | °C | -25 | -25 |
| Max. ambient temperature | °C | 40 | 35 |
| Starting current | A | 0.47 | 0.48 |

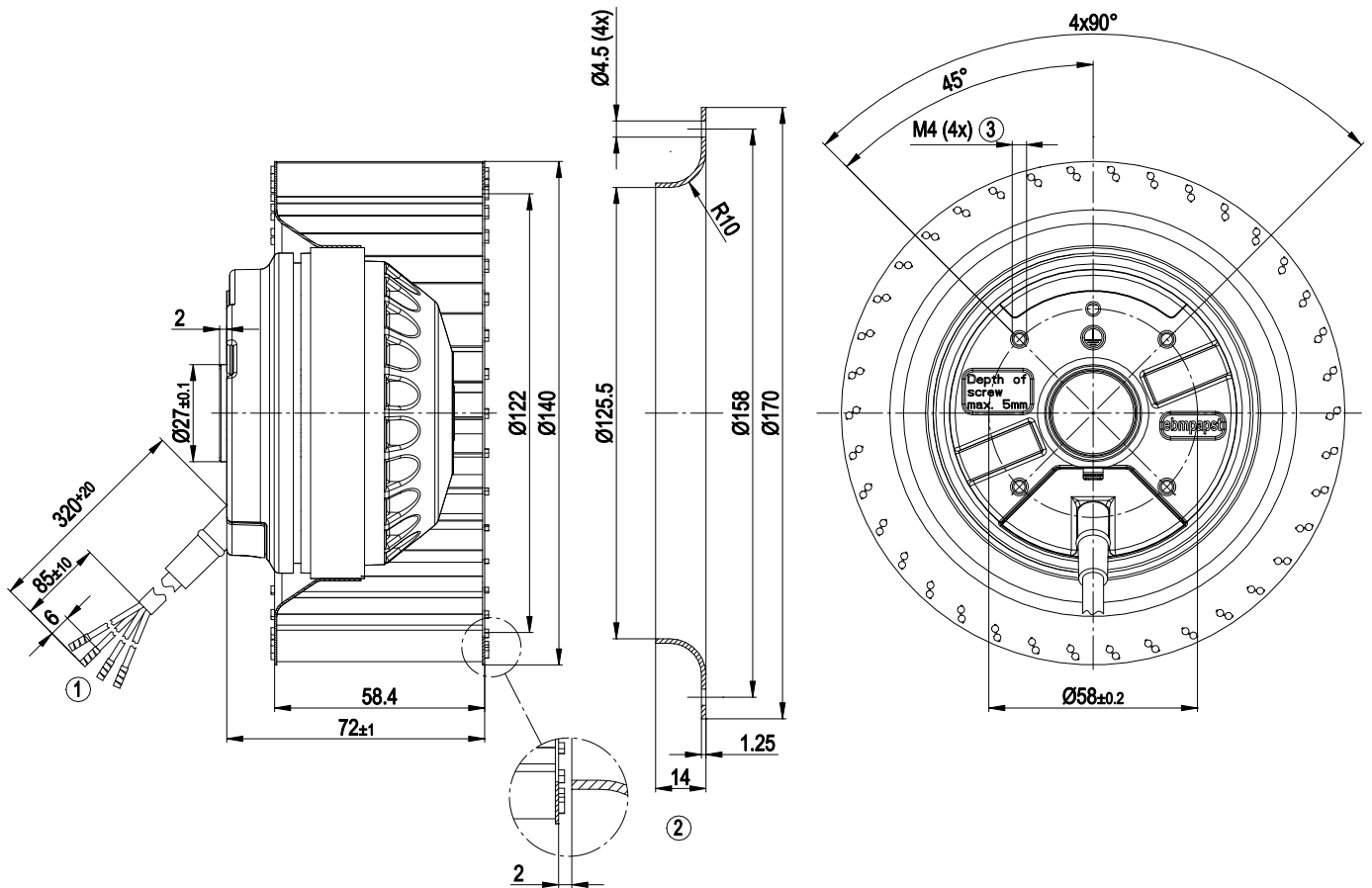
ml = Max. load · me = Max. efficiency · fa = Free air · cs = Customer specification · ce = Customer equipment
 Subject to change



Technical description

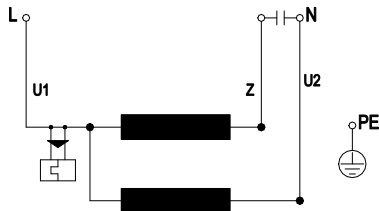
| | |
|--|---|
| Weight | 1.22 kg |
| Size | 140 mm |
| Motor size | 68 |
| Rotor surface | Partly cast in aluminum |
| Impeller material | Sheet steel, hot-dip galvanized |
| Direction of rotation | Clockwise, viewed toward rotor |
| Degree of protection | IP44; installation- and position-dependent |
| Insulation class | "B" |
| Moisture (F) / Environmental (H) protection class | H0 - dry environment |
| Max. permitted ambient temp. for motor (transport/storage) | + 80 °C |
| Min. permitted ambient temp. for motor (transport/storage) | - 40 °C |
| Installation position | Any |
| Condensation drainage holes | None |
| Mode | S1 |
| Motor bearing | Ball bearing |
| Touch current according to IEC 60990 (measuring circuit Fig. 4, TN system) | < 0.75 mA |
| Motor protection | Thermal overload protector (TOP) internally connected |
| With cable | Variable |
| Protection class | I (with customer connection of protective earth) |
| Conformity with standards | EN 60335-1; CE |

Product drawing



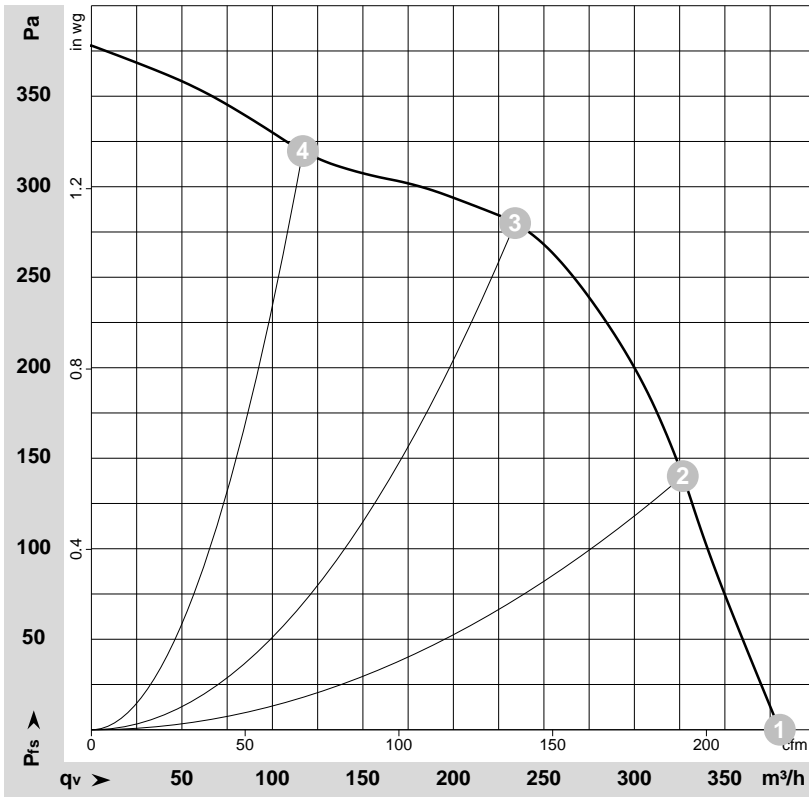
- | | |
|---|---|
| 1 | Cable PVC 4G 0.5 mm ² , 4 x crimped splices |
| 2 | Accessory part: inlet ring 09576-2-4013 not included in scope of delivery |
| 3 | Max. clearance for screw 5 mm |

Connection diagram



| | | | | | |
|----|--------------|---|-------|----|-------|
| U1 | blue | Z | brown | U2 | black |
| PE | green/yellow | | | | |

Curves: Air performance 50 Hz



$\rho = 1.15 \text{ kg/m}^3 \pm 2 \%$

Measurement: LU-79019-1

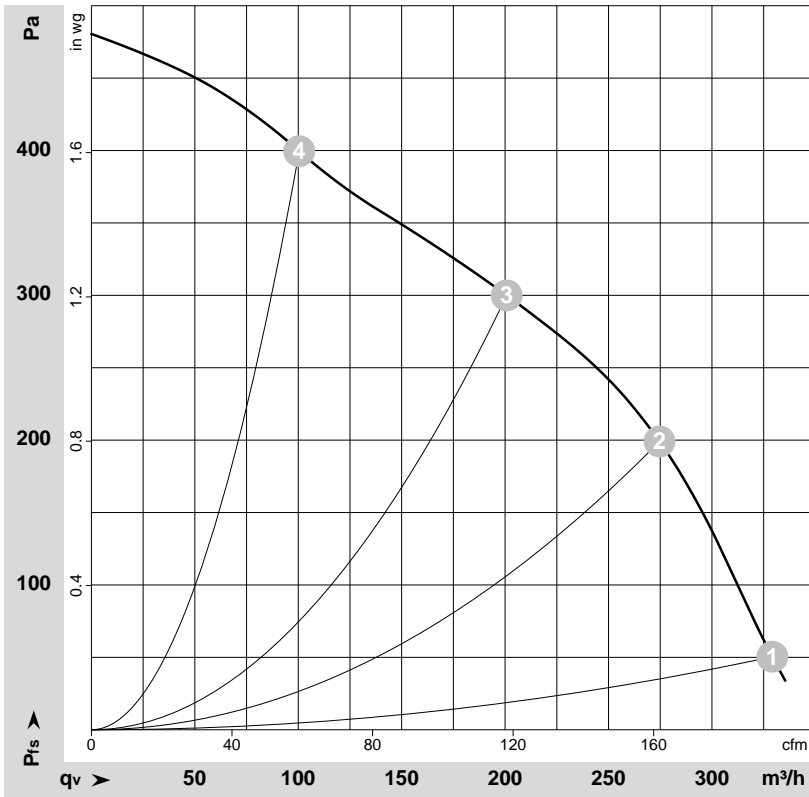
Air performance measured according to ISO 5801 installation category A. For detailed information on the measurement setup, contact ebmpapst. Intake sound level: Sound power level according to ISO 13347 / sound pressure level measured at 1 m distance from fan axis. The values given are valid under the specified measuring conditions and may vary due to conditions of installation. For deviations from the standard configuration, the parameters have to be checked on the installed unit.

Measured values

| | U | f | n | P _e | I | q _v | p _{fs} | q _v | p _{fs} |
|---|-----|----|-------------------|----------------|------|-------------------|-----------------|----------------|-----------------|
| | V | Hz | min ⁻¹ | W | A | m ³ /h | Pa | cfm | in. wg |
| 1 | 230 | 50 | 1400 | 105 | 0.46 | 380 | 0 | 225 | 0.00 |
| 2 | 230 | 50 | 1770 | 94 | 0.41 | 325 | 140 | 190 | 0.56 |
| 3 | 230 | 50 | 2175 | 84 | 0.37 | 235 | 280 | 140 | 1.12 |
| 4 | 230 | 50 | 2495 | 73 | 0.33 | 115 | 320 | 70 | 1.28 |

U = Voltage · f = Frequency · n = Speed (rpm) · P_e = Power consumption · I = Current draw · q_v = Air flow · p_{fs} = Pressure increase

Curves: Air performance 60 Hz



$\rho = 1.15 \text{ kg/m}^3 \pm 2 \%$

Measurement: LU-79020-1

Air performance measured according to ISO 5801 installation category A. For detailed information on the measurement setup, contact ebm-papst. Intake sound level: Sound power level according to ISO 13347 / sound pressure level measured at 1 m distance from fan axis. The values given are valid under the specified measuring conditions and may vary due to conditions of installation. For deviations from the standard configuration, the parameters have to be checked on the installed unit.

Measured values

| | U | f | n | P _e | I | q _v | p _{fs} | q _v | p _{fs} |
|---|-----|----|-------------------|----------------|------|-------------------|-----------------|----------------|-----------------|
| | V | Hz | min ⁻¹ | W | A | m ³ /h | Pa | cfm | in. wg |
| 1 | 230 | 60 | 1500 | 115 | 0.51 | 330 | 50 | 195 | 0.20 |
| 2 | 230 | 60 | 1865 | 106 | 0.46 | 275 | 200 | 160 | 0.80 |
| 3 | 230 | 60 | 2355 | 100 | 0.43 | 200 | 300 | 120 | 1.20 |
| 4 | 230 | 60 | 2775 | 90 | 0.39 | 100 | 400 | 60 | 1.61 |

U = Voltage · f = Frequency · n = Speed (rpm) · P_e = Power consumption · I = Current draw · q_v = Air flow · p_{fs} = Pressure increase

