

AC centrifugal fan

forward curved, single inlet



R2E108-AG63-05 ebmpapst Datasheet
sales@fansco.com
www.fansco.com

Nominal data

Type	R2E108-AG63-05		
Motor	M2E052-BF		
Phase		1~	1~
Nominal voltage	VAC	230	230
Frequency	Hz	50	60
Type of data definition		rfa	rfa
Valid for approval / standard		CE	CE
Speed	min ⁻¹	1850	1850
Power input	W	30	35
Current draw	A	0.14	0.16
Motor capacitor	µF	1	1
Capacitor voltage	VDB	400	400
Capacitor standard		P0 (CE)	P0 (CE)
Min. back pressure	Pa	0	0
Max. ambient temperature	°C	85	80

ml = max. load · me = max. efficiency · rfa = running at free air · cs = customer specs · cu = customer unit
 Subject to alterations

AC centrifugal fan

forward curved, single inlet

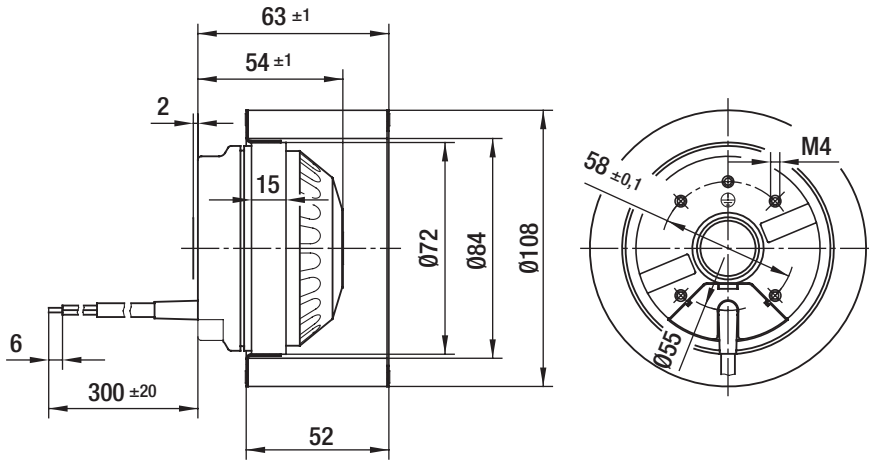
Technical features

Size	108 mm
Operation mode	Continuous operation (S1)
Direction of rotation	Clockwise, seen on rotor
Insulation class	"B"
Cable exit	Variable
Motor bearing	Ball bearing
Mass	0.6 kg
Material of electronics housing	Rotor: Partially cast in aluminum
Material of impeller	Sendzimir galvanized sheet steel
Motor protection	Thermal overload protector (TOP) wired internally
Product conforming to standard	CE
Type of protection	IP 44
Protection class	I
Approval	CCC

AC centrifugal fan

forward curved, single inlet

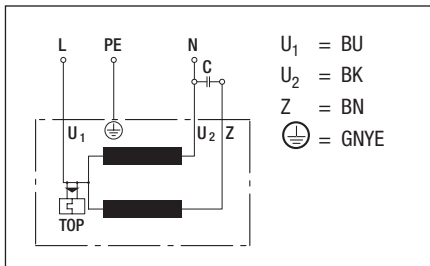
Product drawing



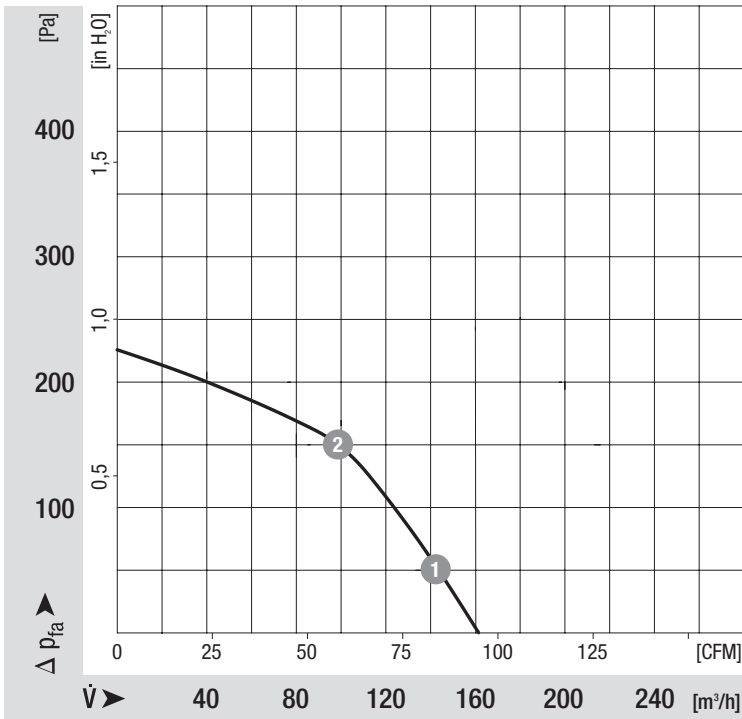
AC centrifugal fan

forward curved, single inlet

Connection screen



Charts: Air flow 50 Hz



Measured values

	n	P _e	l
	min ⁻¹	W	A
1	2070	34	0.16
2	2470	31	0.15

AC centrifugal fan

forward curved, single inlet

Charts: Air flow 60 Hz

