

R2D225-RA26-15 ebmpapst Datasheet

sales@fansco.com

www.fansco.com

Limited partnership · Headquarters Mulfingen
County court Stuttgart · HRA 590344General partner Elektrobau Mulfingen GmbH · Headquarters Mulfingen
County court Stuttgart · HRB 590142

Nominal data

Type	R2D225-RA26-15			
Motor	M2D068-DF			
Phase		3~	3~	3~
Nominal voltage	VAC	400	400	460
Connection		Y	Y	Y
Frequency	Hz	50	60	60
Type of data definition		ml	ml	ml
Valid for approval / standard		CE	CE	UL 2111
Speed (rpm)	min ⁻¹	2530	2700	2850
Power input	W	150	200	230
Current draw	A	0.27	0.33	0.33
Min. back pressure	Pa	0	0	0
Min. ambient temperature	°C	-25	-25	-25
Max. ambient temperature	°C	80	55	55
Starting current	A	0.74	0.72	0.81

ml = Max. load · me = Max. efficiency · fa = Running at free air · cs = Customer specs · cu = Customer unit
Subject to alterations

Data in accordance with ecodesign regulation EU 327/2011 (EN 17166)

		Actual	Request 2015			
01 Overall efficiency η_{es}	%	43.6	42.6	09 Power input P_e	kW	0.14
02 Measurement category		A		09 Air flow q_v	m ³ /h	705
03 Efficiency category		Static		09 Pressure increase p_{fs}	Pa	318
04 Efficiency grade N		63	62	10 Speed (rpm) n	min ⁻¹	2555
05 Variable speed drive		No		11 Specific ratio*		1.00

Data definition with optimum efficiency.
The ErP data is determined using a motor-impeller combination in a standardised measurement configuration.* Specific ratio = $1 + p_g / 100\,000\text{ Pa}$

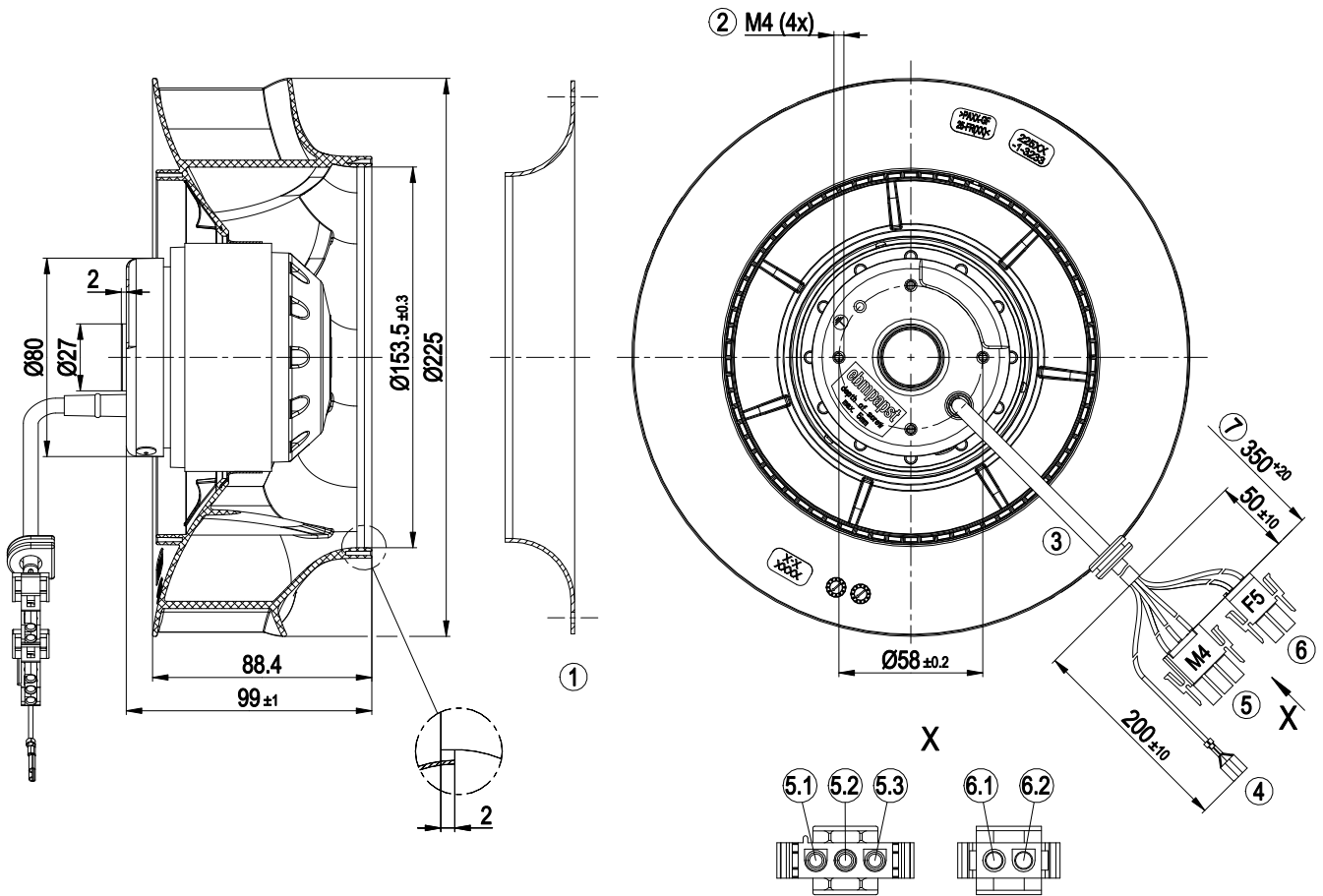
LU-140430



Technical features

Mass	2.2 kg
Size	225 mm
Motor size	68
Surface of rotor	Coated in black
Material of impeller	PA plastic
Number of blades	7
Direction of rotation	Clockwise, seen on rotor
Type of protection	IP44; Depending on installation and position as per EN 60034-5
Insulation class	"F"
Humidity (F) / environmental protection class (H)	H1+
Max. permissible ambient motor temp. (transp./ storage)	+ 80 °C
Min. permissible ambient motor temp. (transp./storage)	- 40 °C
Mounting position	Shaft horizontal or rotor on bottom; rotor on top on request
Condensation drainage holes	Rotor-side
Operation mode	S1
Motor bearing	Ball bearing
Touch current acc. IEC 60990 (measuring network Fig. 4, TN system)	< 0.75 mA
Motor protection	Thermal overload protector (TOP) wired internally
Cable exit	Axial
Protection class	I (if protective earth is connected by customer)
Product conforming to standard	EN 60335-1; CE
Approval	UL 1004-3; CCC; CSA C22.2 no. 77

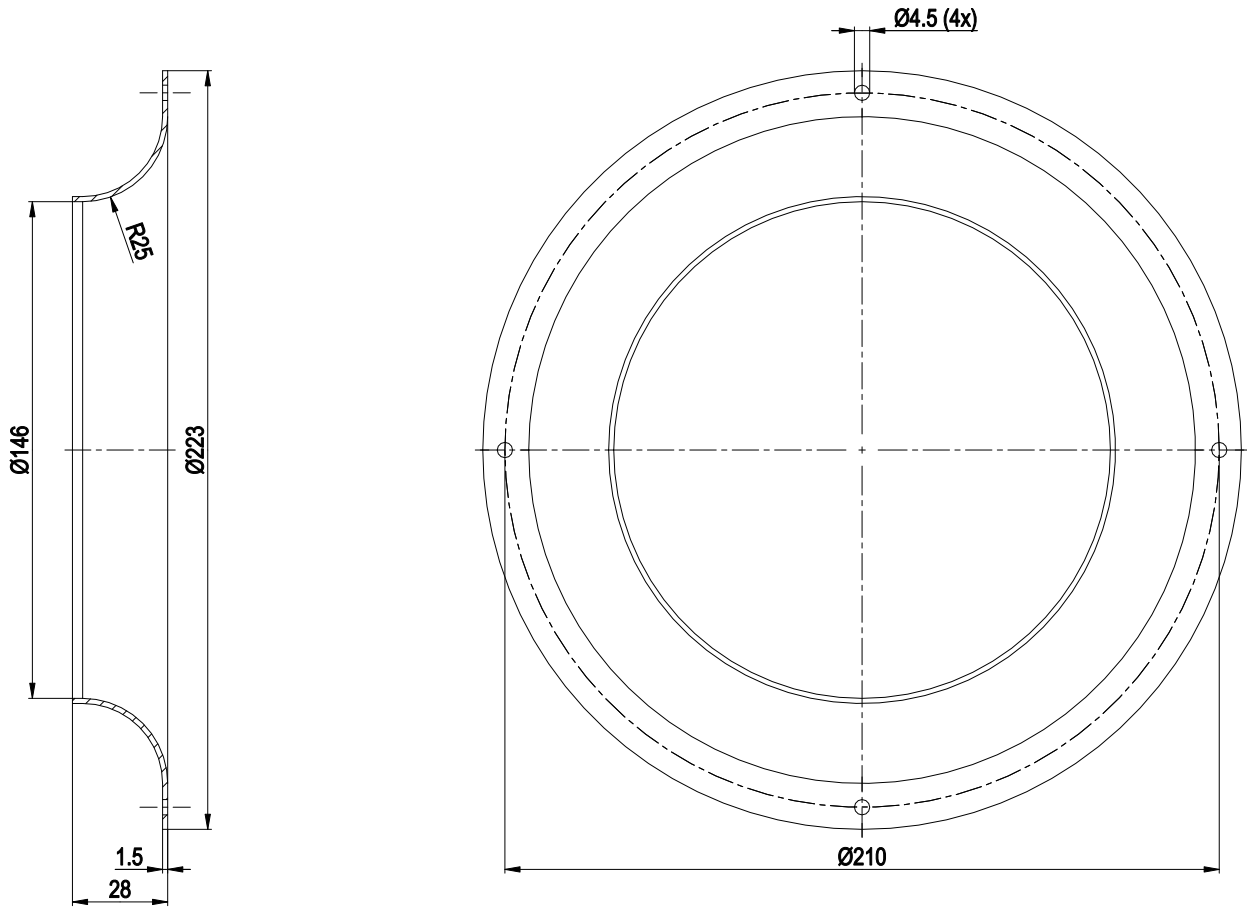
Product drawing



1	Accessory part: Inlet nozzle 96358-2-4013 not included in scope of delivery
2	Thread reach max. 5 mm
3	Connection line PFA AWG20 (green/yellow AWG18)
4	PE (green/yellow), threaded pin 6.3x0.8
5	3-pole connector housing TE 2178473-3, 3x plug pin TE 926885-1
5.1	L3 (W1) brown
5.2	L1 (V1) blue
5.3	L2 (U1) black
6	2-pole connector housing TE 1-1703061-3, 2x plug pin TE 926885-1
6.1	TOP signal (grey)
6.2	TOP signal (grey)
7	Cable length on end face perpendicular to stator bushing

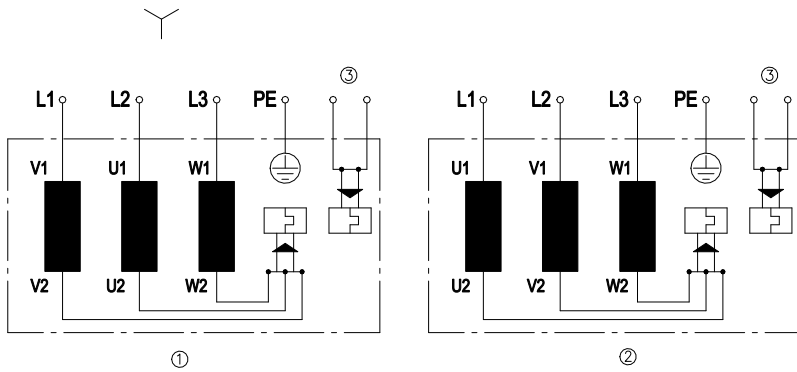


Accessory part



Inlet nozzle 96358-2-4013 not included in scope of delivery

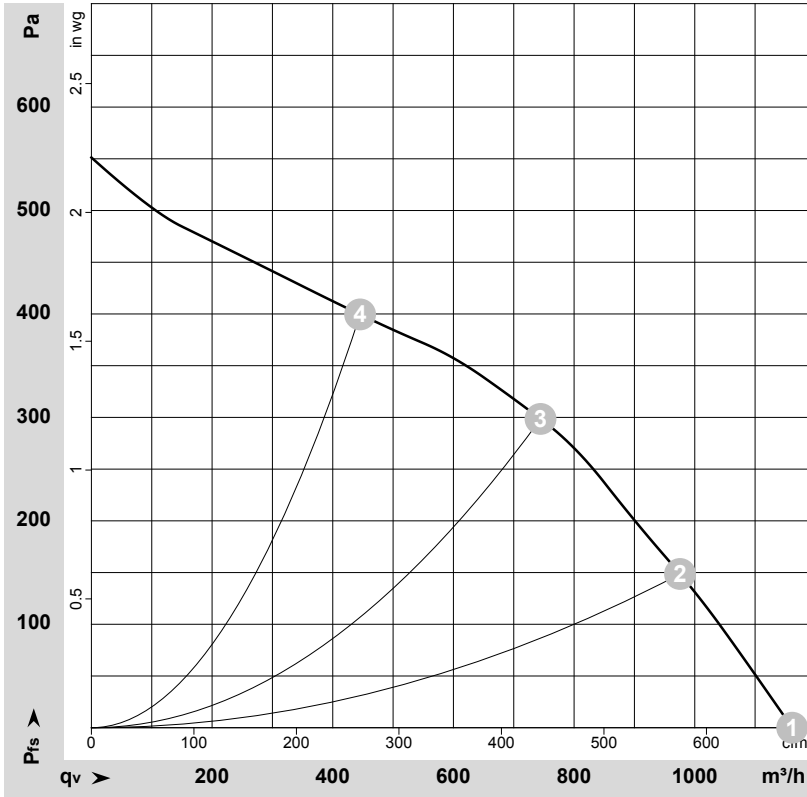
Connection screen



Change in direction of rotation by reversing two phases

	Three-phase motor
Y	Star connection
1	Anti-clockwise operation
L1	= V1 = blue
L2	= U1 = black
L3	= W1 = brown
2	Clockwise operation
L1	=U1=black
L2	=V1=blue
L3	=W1=brown
PE	green/yellow
3	TOP signal, 2x grey

Charts: Air flow 50 Hz



$\rho = 1.15 \text{ kg/m}^3 \pm 2 \%$

Measurement: LU-140430-1

Air performance measured as per ISO 5801 Installation category A. For detailed information on the measuring set-up, please contact ebmpapst. Suction-side noise levels: LwA measured as per ISO 13347 / LpA measured with 1m distance to fan axis. The values given are valid under the measuring conditions mentioned above and may vary according to the actual installation situation. With any deviation from the standard set-up, the specific values have to be checked and reviewed with the unit installed.

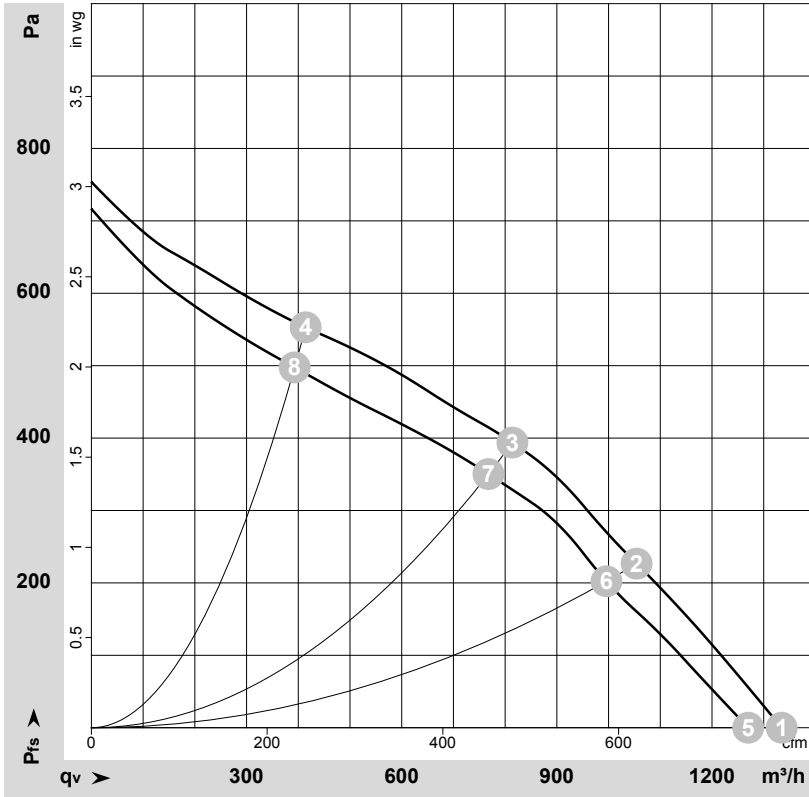
Measured values

	Conn.	U	f	n	P _e	I	LpA _{in}	LwA _{in}	q _v	P _{fs}	q _v	P _{fs}
		V	Hz	min ⁻¹	W	A	dB(A)	dB(A)	m ³ /h	Pa	cfm	in. wg
1	Y	400	50	2645	122	0.24	66	74	1160	0	685	0.00
2	Y	400	50	2560	142	0.26	62	69	975	150	575	0.60
3	Y	400	50	2530	150	0.27	57	65	745	300	440	1.20
4	Y	400	50	2595	130	0.24	61	69	445	400	260	1.61

Conn. = Connection · U = Supply voltage · f = Frequency · n = Speed (rpm) · P_e = Power input · I = Current draw · LpA_{in} = Sound pressure level inlet side · LwA_{in} = Sound power level inlet side
 q_v = Air flow · p_{fs} = Pressure increase



Charts: Air flow 60 Hz



$\rho = 1.15 \text{ kg/m}^3 \pm 2 \%$

Measurement: LU-140436-1
Measurement: LU-140433-1

Air performance measured as per ISO 5801 Installation category A. For detailed information on the measuring set-up, please contact ebm-papst. Suction-side noise levels: LwA measured as per ISO 13347 / LpA measured with 1m distance to fan axis. The values given are valid under the measuring conditions mentioned above and may vary according to the actual installation situation. With any deviation from the standard set-up, the specific values have to be checked and reviewed with the unit installed.

Measured values

	Conn.	U	f	n	P _e	I	q _v	P _{fs}	q _v	P _{fs}
		V	Hz	min ⁻¹	W	A	m ³ /h	Pa	cfm	in. wg
1	Y	460	60	3030	187	0.28	1335	0	785	0.00
2	Y	460	60	2850	230	0.33	1055	227	620	0.91
3	Y	460	60	2890	218	0.32	815	395	480	1.59
4	Y	460	60	3005	189	0.28	415	553	245	2.22
5	Y	400	60	2880	171	0.28	1270	0	745	0.00
6	Y	400	60	2700	200	0.33	995	200	585	0.80
7	Y	400	60	2700	200	0.33	770	350	450	1.41
8	Y	400	60	2845	173	0.28	395	500	230	2.01

Conn. = Connection · U = Supply voltage · f = Frequency · n = Speed (rpm) · P_e = Power input · I = Current draw · q_v = Air flow · p_{fs} = Pressure increase

