

R1G310-AD19-52

# EC centrifugal fan

backward curved, single inlet



R1G310-AD19-52 ebmpapst Datasheet  
sales@fansco.com  
www.fansco.com

## Nominal data

Type	R1G310-AD19-52	
Motor	M1G074-CF	
Nominal voltage	VDC	24
Nominal voltage range	VDC	16 .. 28
Type of data definition		rfa
Speed	min <sup>-1</sup>	1600
Power input	W	90
Current draw	A	4.2
Max. ambient temperature	°C	45

mi = max. load · me = max. efficiency · rfa = running at free air · cs = customer specs · cu = customer unit  
Subject to alterations

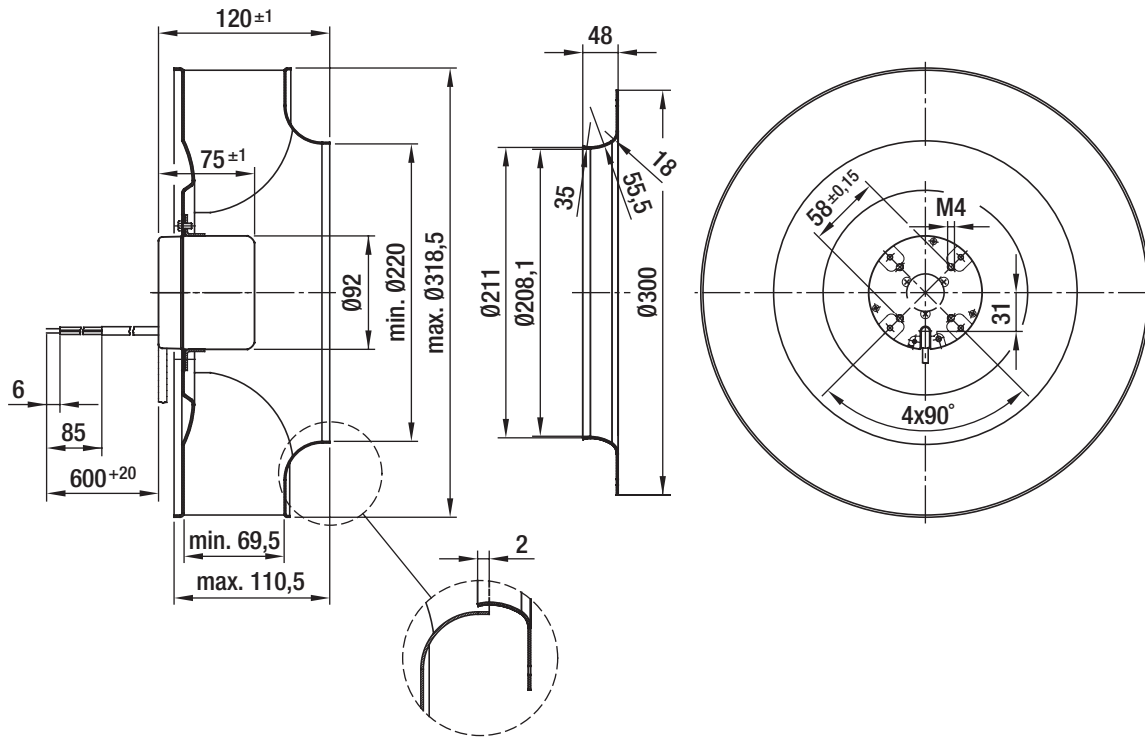
### Technical features

<b>Size</b>	310 mm
<b>Operation mode</b>	Continuous operation (S1)
<b>Direction of rotation</b>	Clockwise, seen on rotor
<b>Mounting position</b>	Any
<b>Humidity class</b>	F0
<b>Insulation class</b>	"B"
<b>Cable exit</b>	Variable
<b>Motor bearing</b>	Ball bearing
<b>Mass</b>	2.6 kg
<b>Material of electronics housing</b>	Rotor: Coated in black
<b>Material of impeller</b>	Aluminum sheet, laser-welded
<b>Motor protection</b>	Reverse polarity and locked-rotor protection
<b>Number of blades</b>	6
<b>Type of protection</b>	IP 42
<b>Protection class</b>	I
<b>Technical features</b>	Control input 0-10 VDC / PWM, tach output, polarity and locked rotor protection
<b>Approval</b>	CSA C22.2 Nr.77; UL 1004-1

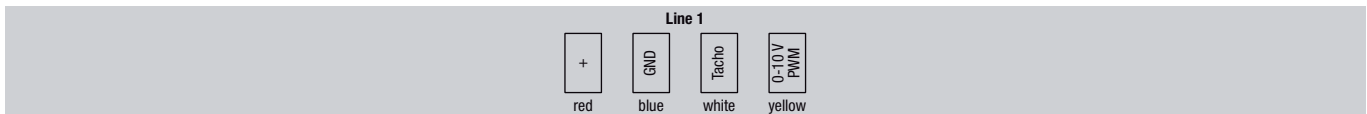
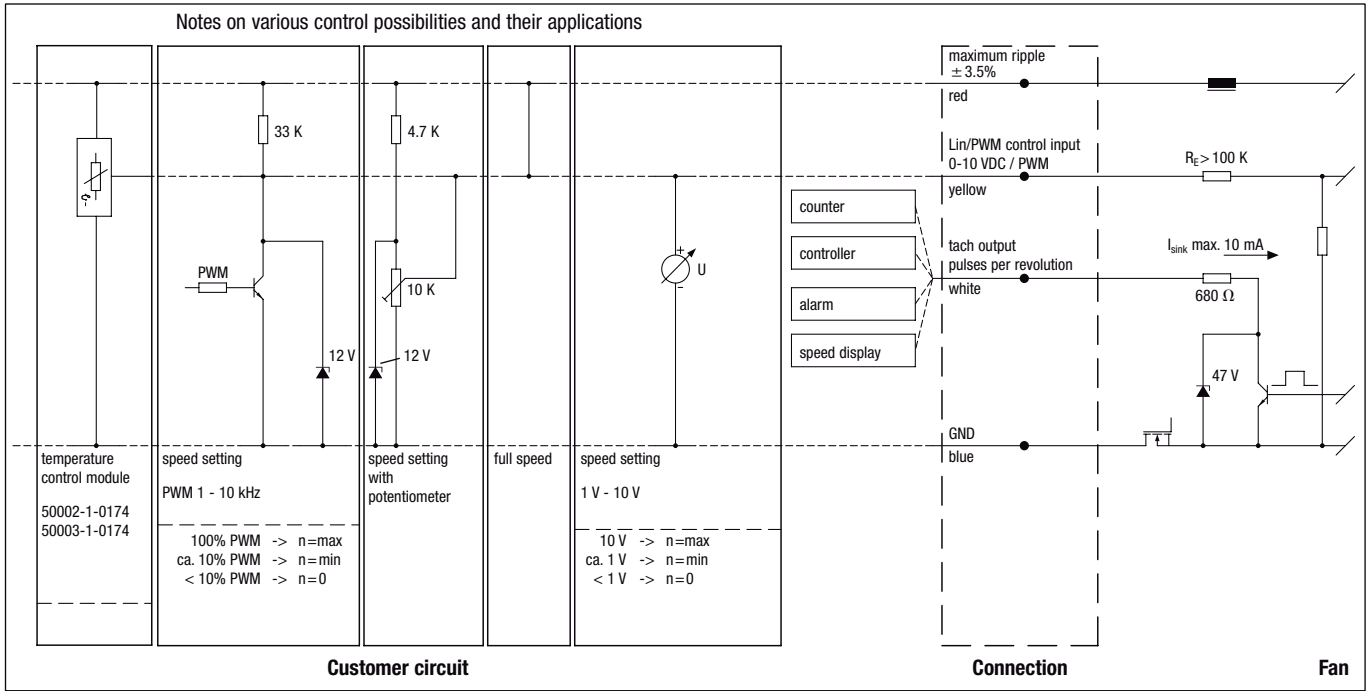
# EC centrifugal fan

backward curved, single inlet

## Product drawing

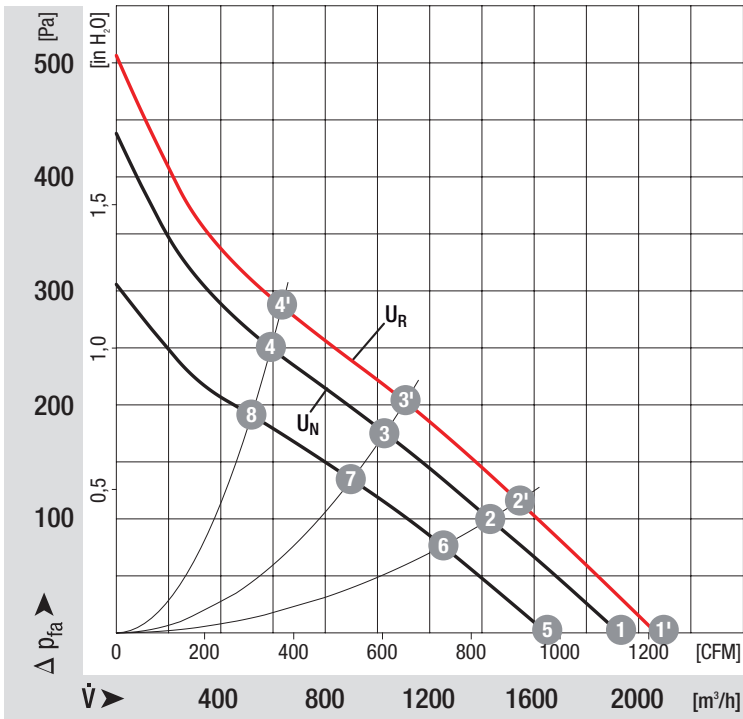


## Connection screen



Line	Signal	Colour	Assignment / function	Line	Signal	Colour	Assignment / function
1	+	red	maximum ripple $\pm 3.5\%$	1	Tacho	white	Tach output: pulses per revolution
	GND	blue	GND		0-10 V / PWM	yellow	Control input

## Charts: Air flow



## Measured values

	n	P <sub>e</sub>
	min <sup>-1</sup>	W
1'	1720	113
2'	1540	122
3'	1490	124
4'	1560	121
1	1600	90
2	1430	96
3	1390	99
4	1450	96
5	1150	69
6	1260	65
7	1230	67
8	1270	65