

R1G310-AD17-18 ebmpapst Datasheet

sales@fansco.com

www.fansco.com

Limited partnership · Headquarters Muldingen
County court Stuttgart · HRA 590344

General partner Elektrobau Muldingen GmbH · Headquarters Muldingen
County court Stuttgart · HRB 590142



Nominal data

Type	R1G310-AD17-18	
Motor	M1G074-CF	
Nominal voltage	VDC	48
Nominal voltage range	VDC	36 .. 52
Frequency	Hz	-
Type of data definition		fa
Speed	min ⁻¹	1800
Power input	W	120
Current draw	A	3.0
Min. ambient temperature	°C	-25
Max. ambient temperature	°C	40

ml = Max. load · me = Max. efficiency · fa = Running at free air · cs = Customer specs · cu = Customer unit
Subject to alterations

Data according to ErP directive

		Actual	Request 2015		
01 Overall efficiency η_{es}	%	54.1	42.2	09 Power input P_e	kW
02 Measurement category		A		09 Air flow q_v	m ³ /h
03 Efficiency category		Static		09 Pressure increase p_{fs}	Pa
04 Efficiency grade N		73.9	62	10 Speed n	min ⁻¹
05 Variable speed drive		Yes		11 Specific ratio*	

Data definition with optimum efficiency.
The ErP data is determined using a motor-impeller combination in a standardised measurement configuration.

* Specific ratio = $1 + p_s / 100\,000\text{ Pa}$

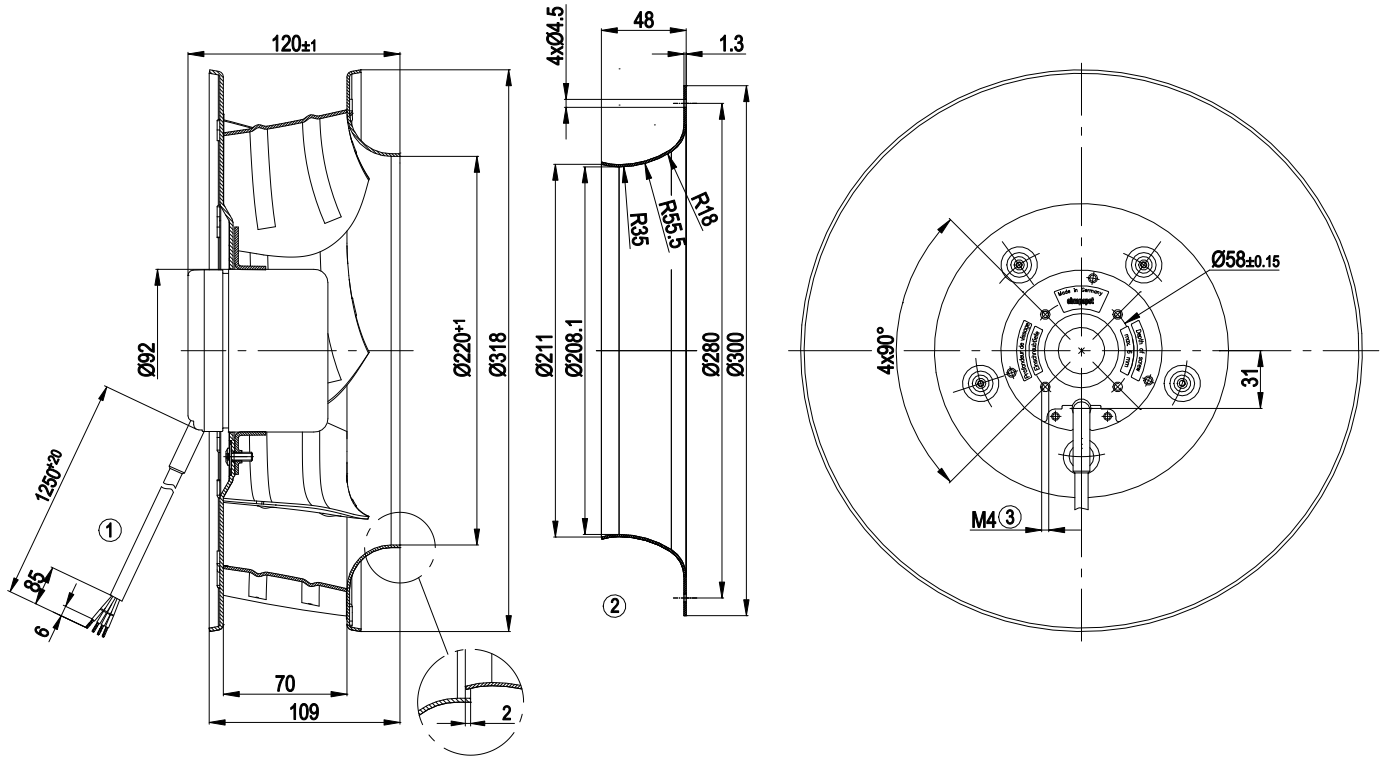
LU-53928



Technical features

Mass	2.6 kg
Size	310 mm
Surface of rotor	Coated in black
Material of impeller	Aluminium sheet
Number of blades	6
Direction of rotation	Clockwise, seen on rotor
Type of protection	IP 42
Insulation class	"B"
Humidity (F)/environmental protection class (H)	F0
Max. permissible ambient motor temp. (transp./ storage)	+80 °C
Min. permissible ambient motor temp. (transp./storage)	-40 °C
Mounting position	Any
Condensate discharge holes	None
Operation mode	S1
Motor bearing	Ball bearing
Technical features	<ul style="list-style-type: none"> - Tach output - Motor current limit - Soft start - Control input 0-10 VDC / PWM
Motor protection	Reverse polarity and locked-rotor protection
Cable exit	Variable
Product conforming to standard	EN 60950-1
Approval	CSA C22.2 No.77; UL 1004-1

Product drawing



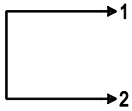
1	Connection line AWG20, 4x lead tips crimped
2	Accessory part: Inlet nozzle 31050-2-4013 not included in scope of delivery
3	Screw depth max. 6 mm



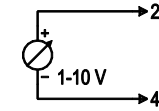
Connection screen

Customer circuit

Full speed

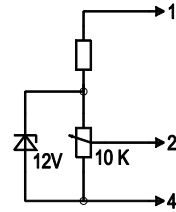


Adjustable speed

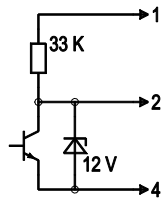


10 V → n = max
 1 V → n = min
 <1 V → n = 0
 Safe start at Unom -30 % from 4 V Ucontr.

Speed adjustable via potentiometer

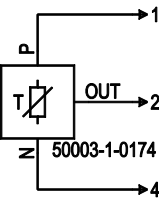


Speed adjustable via PWM 1-10kHz



100 % PWM → n = max
 10 % PWM → n = min
 <10 % PWM → n = 0
 Safe start at Unom -30 % from 40 % PWM

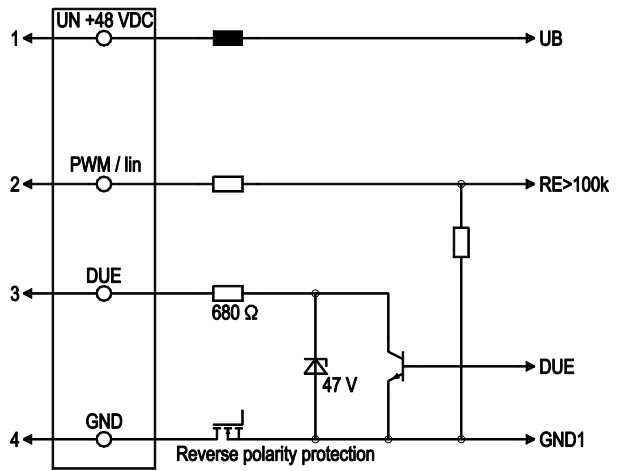
Set value via ebn temperature controller



T < 10 °C → n = 0
 T > 45 °C → n = max

Connection

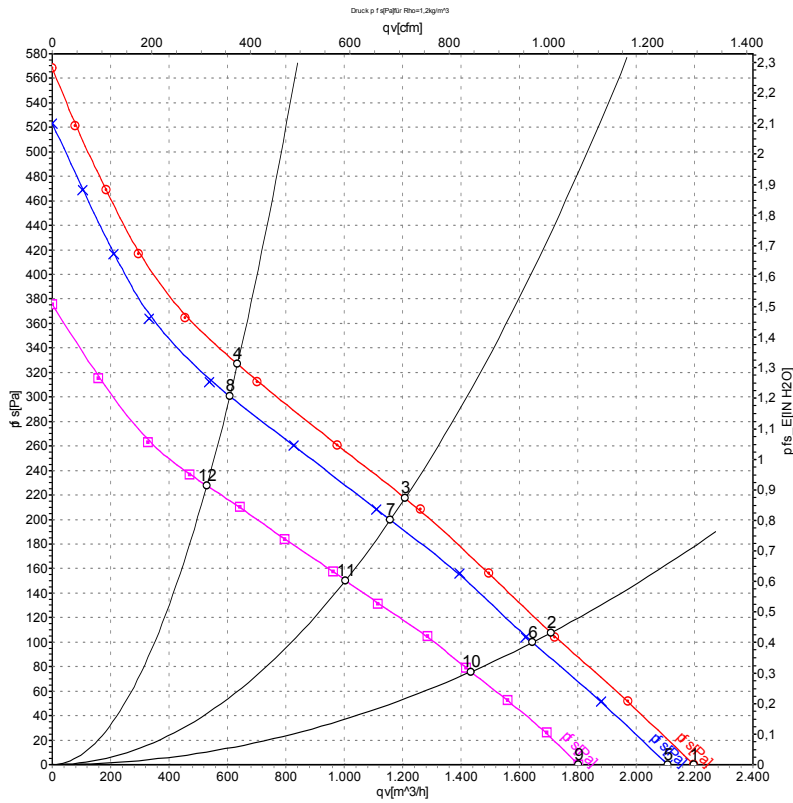
Fan / Motor



No.	Conn.	Designation	Colour	Function / assignment
1	1	Un +48 VDC	red	Power supply 48 VDC, residual ripple 3.5 %
1	2	PWM / lin	yellow	PWM / lin. control input, 0-10 V
1	3	Tach	white	Speed monitoring output, 3 pulses per rotation, Isink max = 10 mA
1	4	GND	blue	Reference mass



Charts: Air flow



Measurement: LU-53929-1
 Measurement: LU-53928-1
 Measurement: LU-52983-1

Air performance measured as per ISO 5801 Installation category A. For detailed information on the measuring set-up, please contact ebmpapst. Suction-side noise levels: L_{WA} measured as per ISO 13347 / L_{pA} measured with 1m distance to fan axis. The values given are valid under the measuring conditions mentioned above and may vary according to the actual installation situation. With any deviation from the standard set-up, the specific values have to be checked and reviewed with the unit installed.

Measured values

	U	n	P _{ed}	I	qv	p _{fs}
	V	min ⁻¹	W	A	m ³ /h	Pa
1	53	1860	135	3.07	2195	0
2	53	1680	144	3.36	1710	107
3	53	1580	150	3.55	1210	218
4	53	1640	147	3.42	635	327
5	48	1800	120	3.00	2110	0
6	48	1615	126	3.17	1645	100
7	48	1525	131	3.32	1160	200
8	48	1580	128	3.22	610	300
9	36	1570	74	2.34	1805	0
10	36	1435	80	2.54	1435	76
11	36	1355	83	2.65	1005	150
12	36	1395	81	2.59	530	228

U = Supply voltage · n = Speed · P_{ed} = Power input · I = Current draw · qv = Air flow · p_{fs} = Pressure increase

