

R1G250-RC67-02

EC centrifugal fan - RadiCal

backward curved, single inlet



R1G250-RC67-02 ebmpapst Datasheet

sales@fansco.com

www.fansco.com

Limited partnership · Headquarters Muldingen
County court Stuttgart · HRA 590344

General partner Elektrobau Muldingen GmbH · Headquarters Muldingen
County court Stuttgart · HRB 590142

Nominal data

Type	R1G250-RC67-02	
Motor	M1G074-CF	
Nominal voltage	VDC	12
Nominal voltage range	VDC	8 .. 16
Type of data definition		fa
State		prelim.
Speed (rpm)	min ⁻¹	2000
Power input	W	65
Current draw	A	6.4
Min. ambient temperature	°C	-40
Max. ambient temperature	°C	70

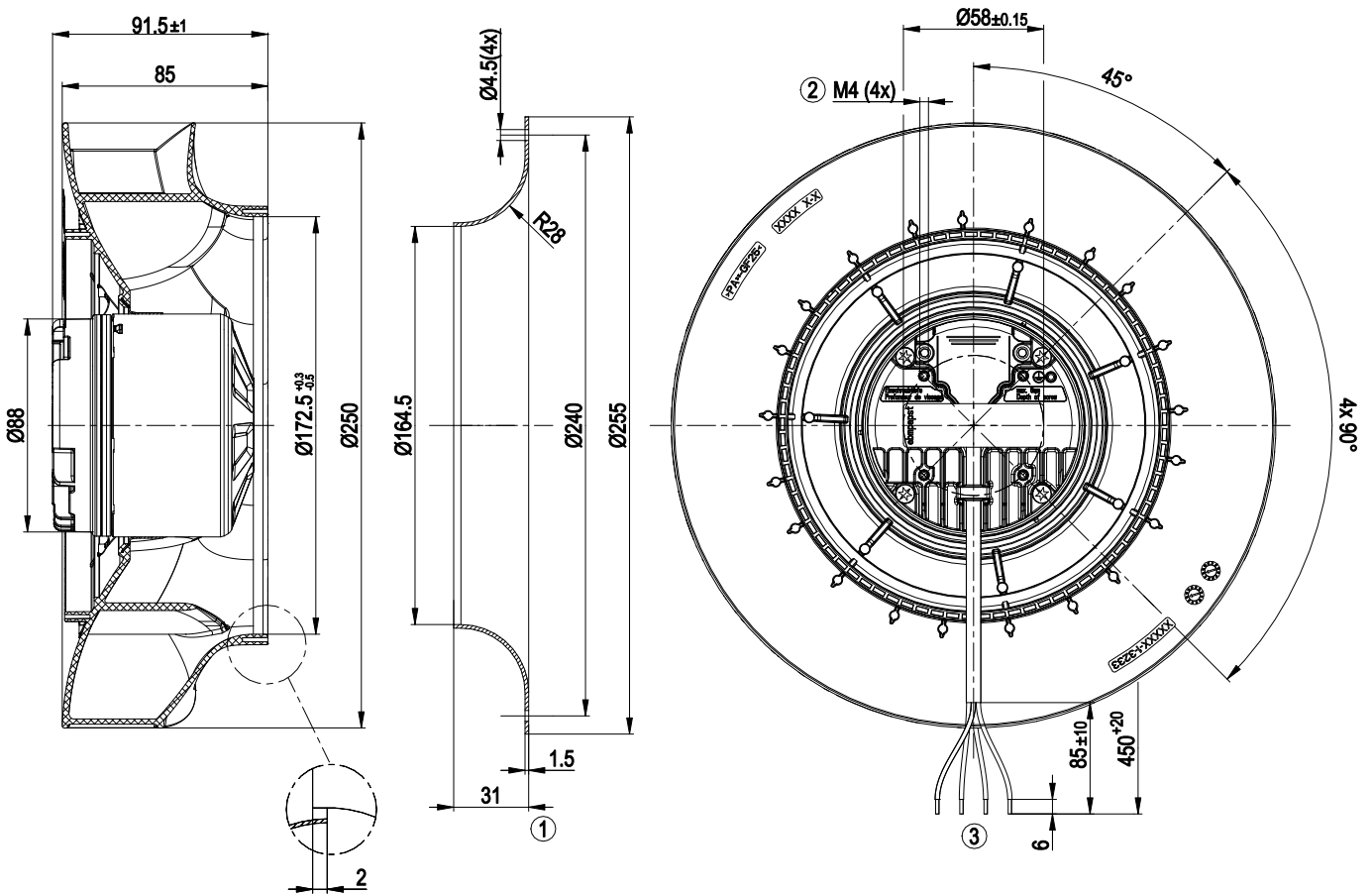
ml = Max. load · me = Max. efficiency · fa = Running at free air · cs = Customer specs · cu = Customer unit
Subject to alterations



Technical features

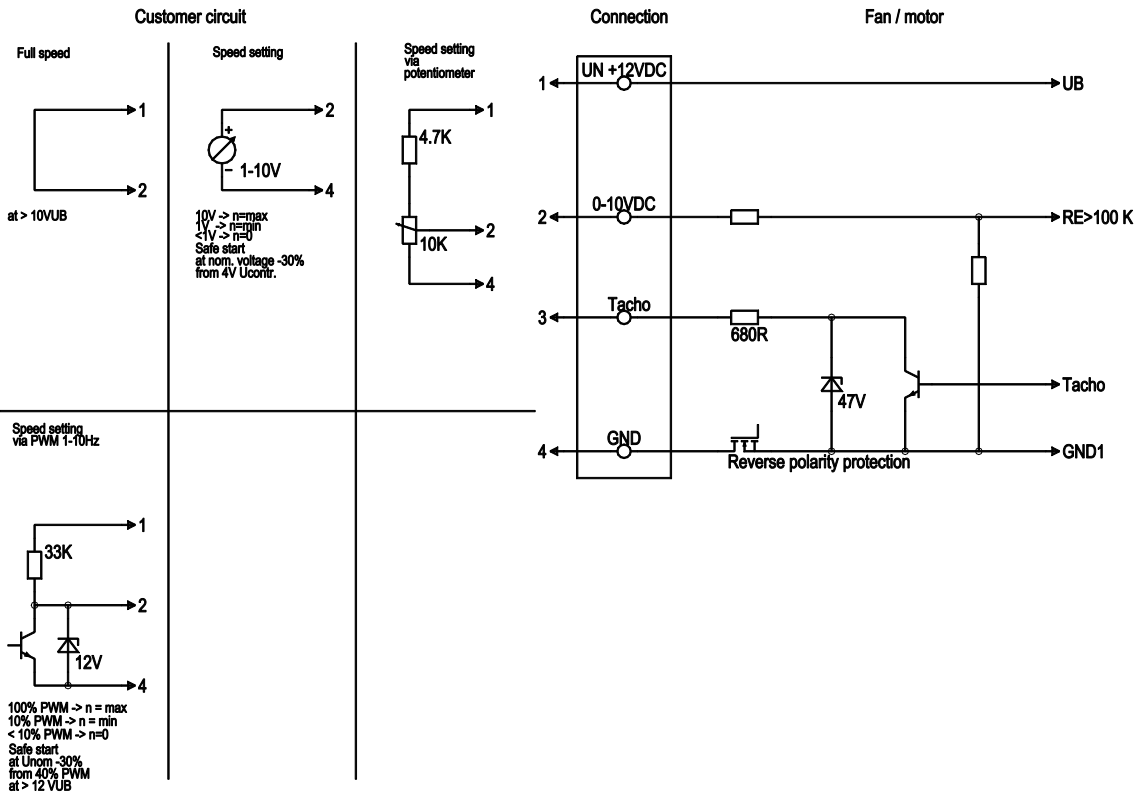
Mass	2 kg
Size	250 mm
Surface of rotor	Galvanised
Material of electronics housing	Die-cast aluminium, coated in black
Material of impeller	PA plastic
Number of blades	7
Direction of rotation	Clockwise, seen on rotor
Type of protection	IP 24 KM; Electronics IP 66 / 69 K
Insulation class	"B"
Humidity (F)/environmental protection class (H)	H2+
Note ambient temperature	Occasional start-up between -40°C and -25°C is permissible. For continuous operation at ambient temperatures below -25°C (e.g. refrigeration applications) we recommend our fan version with special low-temperature bearings.
Max. permissible ambient motor temp. (transp./ storage)	+70 °C
Min. permissible ambient motor temp. (transp./storage)	-40 °C
Mounting position	Shaft horizontal or rotor on bottom; rotor on top on request
Condensate discharge holes	Rotor-side
Operation mode	S1
Motor bearing	Ball bearing; (sealed)
Technical features	<ul style="list-style-type: none"> - Tach output - Motor current limit - Soft start - Control input 0-10 VDC / PWM - Overvoltage detection
Motor protection	Reverse polarity and locked-rotor protection
Cable exit	Axial
Approval	UL 507; EAC

Product drawing



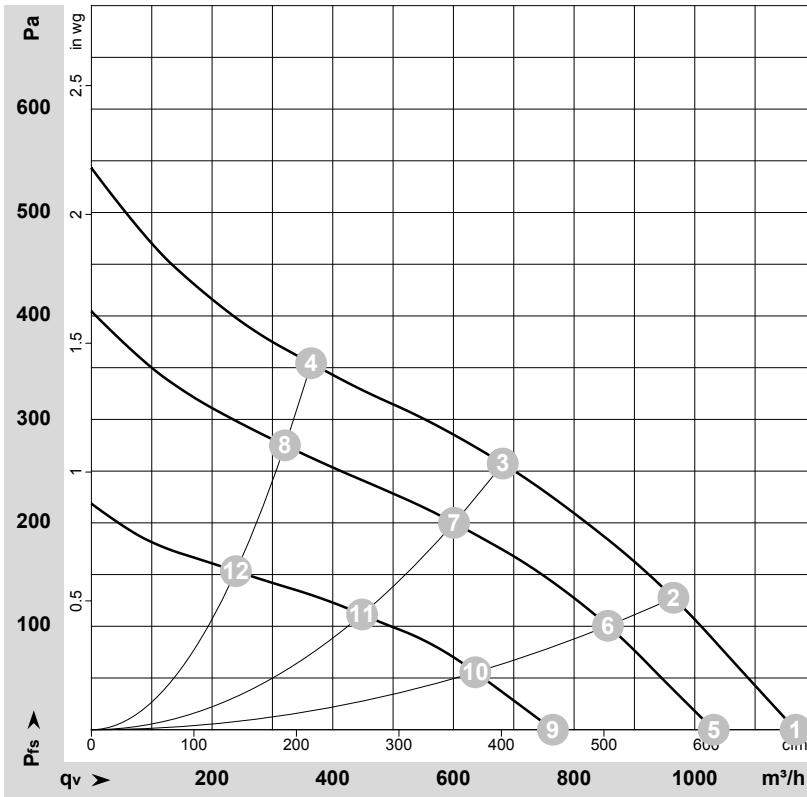
1	Accessory part: Inlet nozzle 96359-2-4013 not included in scope of delivery
2	Thread reach max. 6 mm
3	Connection line PVC 4x AWG18, insulating sleeve, 4x lead tips crimped

Connection screen



No.	Conn.	Designation	Colour	Function / assignment
	1	Un +12VDC	red	Power supply 12 VDC, see type plate for voltage range, residual ripple 3.5%
	2	PWM/LIN	yellow	Control input Re > 40 k (PWM 1-10 kHz/0-10 V)
	3	Tacho	white	Speed monitoring output, 3 pulses per revolution, Isink max = 10 mA
	4	GND	blue	Reference mass

Charts: Air flow



$\rho = 1.15 \text{ kg/m}^3 \pm 2 \%$

Measurement: LU-164850-1
 Measurement: LU-164800-1
 Measurement: LU-164847-1

Air performance measured as per ISO 5801 Installation category A. For detailed information on the measuring set-up, please contact ebm-papst. Suction-side noise levels: L_{wA} measured as per ISO 13347 / L_{pA} measured with 1m distance to fan axis. The values given are valid under the measuring conditions mentioned above and may vary according to the actual installation situation. With any deviation from the standard set-up, the specific values have to be checked and reviewed with the unit installed.

Measured values

	U	n	P _{ed}	I	LpA _{in}	LwA _{in}	q _v	P _{fs}	q _v	P _{fs}
	V	min ⁻¹	W	A	dB(A)	dB(A)	m ³ /h	Pa	cfm	inH2O
1	16	2255	93	7.63			1165	0	685	0.00
2	16	2180	100	8.22			965	128	570	0.51
3	16	2145	105	8.62			680	257	400	1.03
4	16	2235	99	8.01			365	354	215	1.42
5	12	2000	65	6.40	63	71	1030	0	605	0.00
6	12	1935	69	6.85	59	66	855	100	505	0.40
7	12	1900	71	7.14	56	62	600	200	355	0.80
8	12	1975	67	6.60	57	65	320	275	190	1.10
9	8	1490	27	3.97			765	0	450	0.00
10	8	1445	29	4.34			635	56	375	0.22
11	8	1425	30	4.49			450	111	265	0.45
12	8	1470	28	4.08			240	153	140	0.61

U = Supply voltage · n = Speed (rpm) · P_{ed} = Power input · I = Current draw · LpA_{in} = Sound pressure level inlet side · LwA_{in} = Sound power level inlet side · q_v = Air flow · p_{fs} = Pressure increase

