

R1G250-AI05-26 ebmpapst Datasheet

sales@fansco.com

www.fansco.com

Phone: +49 7938 81-0

Fax: +49 7938 81-110

Nominal data

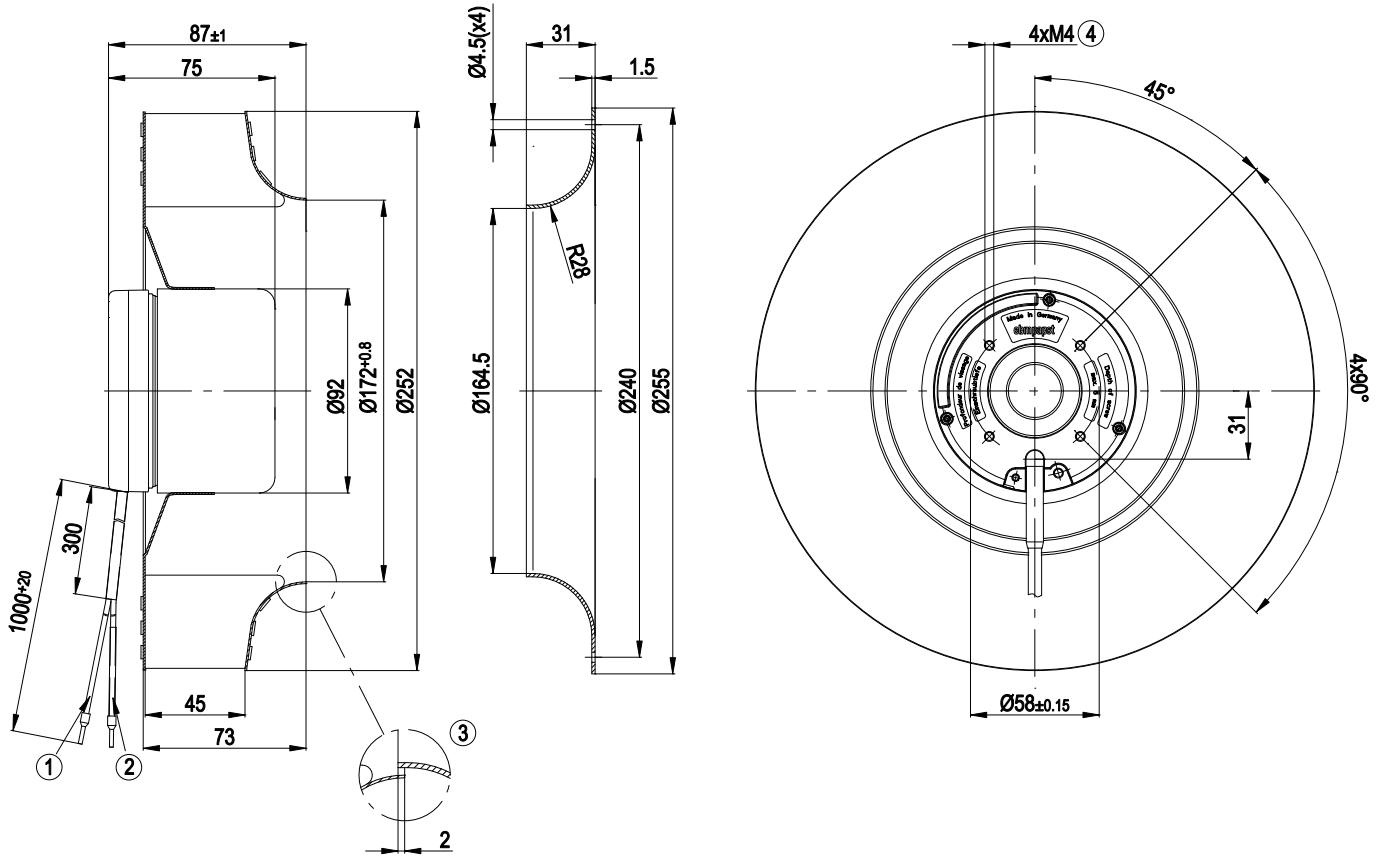
| | | |
|--------------------------|----------------------|----------|
| Type | R1G250-AI05-26 | |
| Motor | M1G074-CF | |
| Nominal voltage | [VDC] | 52 |
| Nominal voltage range | [VDC] | 32 .. 57 |
| Type of data definition | | rfa |
| Speed | [min ⁻¹] | 2700 |
| Power input | [W] | 120 |
| Current draw | [A] | 2,7 |
| Min. ambient temperature | [°C] | - 25 |
| Max. ambient temperature | [°C] | 40 |

ml = max. load · me = max. efficiency · rfa = running at free air · cs = customer specs · cu = customer unit
Subject to alterations

Technical features

| | |
|---|--|
| Leakage current | <= 0,25 mA |
| Size | 250 mm |
| Operation mode | S1 |
| Direction of rotation | Clockwise, seen on rotor |
| Mounting position | Shaft horizontal or rotor on bottom; rotor on top on request |
| EMC interference emission | Acc. to EN 55022 (Class B) |
| EMC interference immunity | Acc. to EN 61000-6-2 (industrial environment) |
| Insulation class | "B" |
| Cable exit | Variable |
| Condensate discharge holes | None |
| Bearing motor | Ball bearing |
| Mass | 2.3 kg |
| Material of impeller | Sheet steel, hot-galvanised |
| Motor protection | Reverse polarity and locked-rotor protection |
| Surface of rotor | Coated in black |
| Number of blades | 11 |
| Type of protection | IP 42 |
| Protection class | I |
| Technical features | - Line undervoltage detection - Motor current limit - Soft start |
| Max. permissible ambient motor temp. (transp./ storage) | +80 °C |
| Min. permissible ambient motor temp. (transp./storage) | -40 °C |
| Approval | CSA C22.2 Nr.77; UL 1004 |

Product drawing

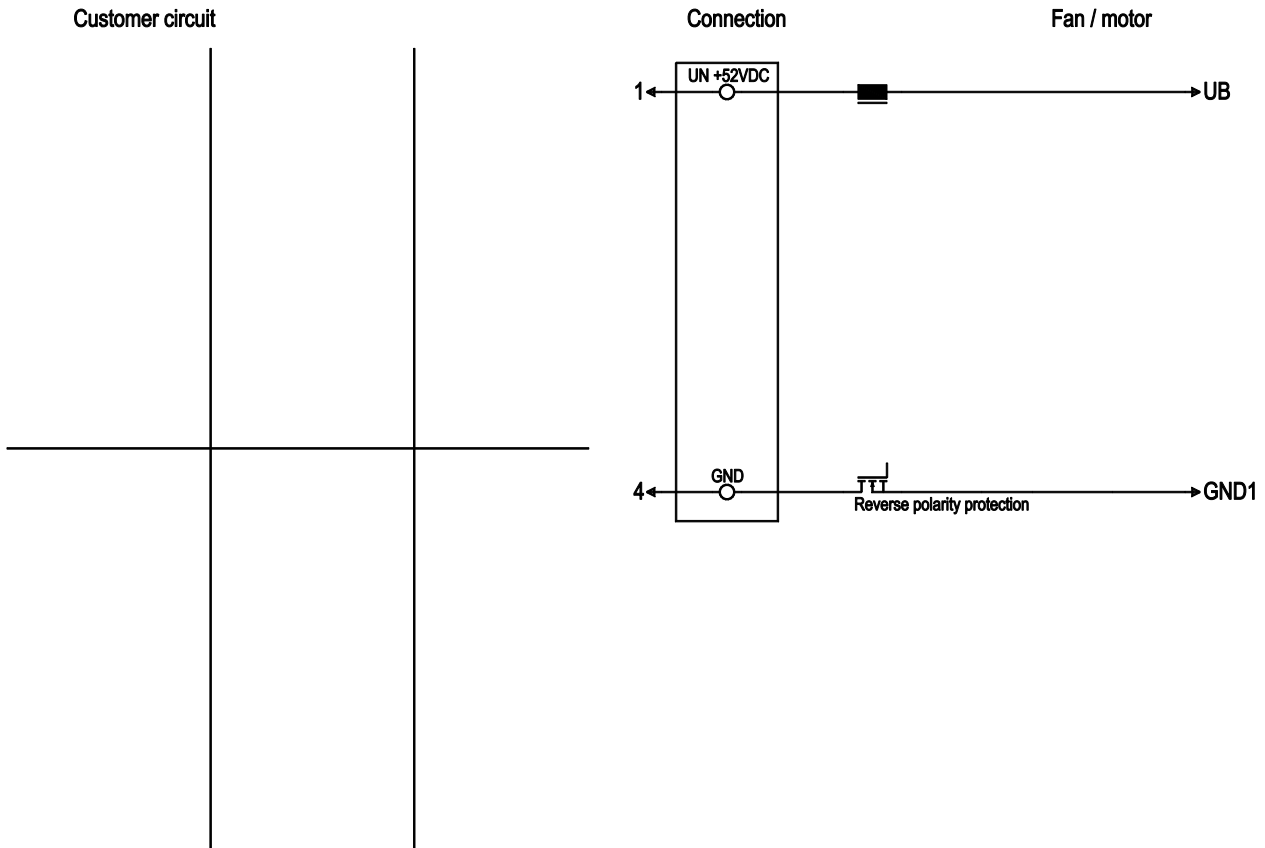


| | |
|---|---|
| 1 | Cable 1.5 mm ² (red), with core-end sleeve |
| 2 | Cable 1.5 mm ² (blue), with core-end sleeve |
| 3 | Accessory part: Inlet nozzle 96359-2-4013, not included in the standard scope of delivery |
| 4 | Depth of screw max. 6 mm |

EC centrifugal fan

backward curved, single inlet

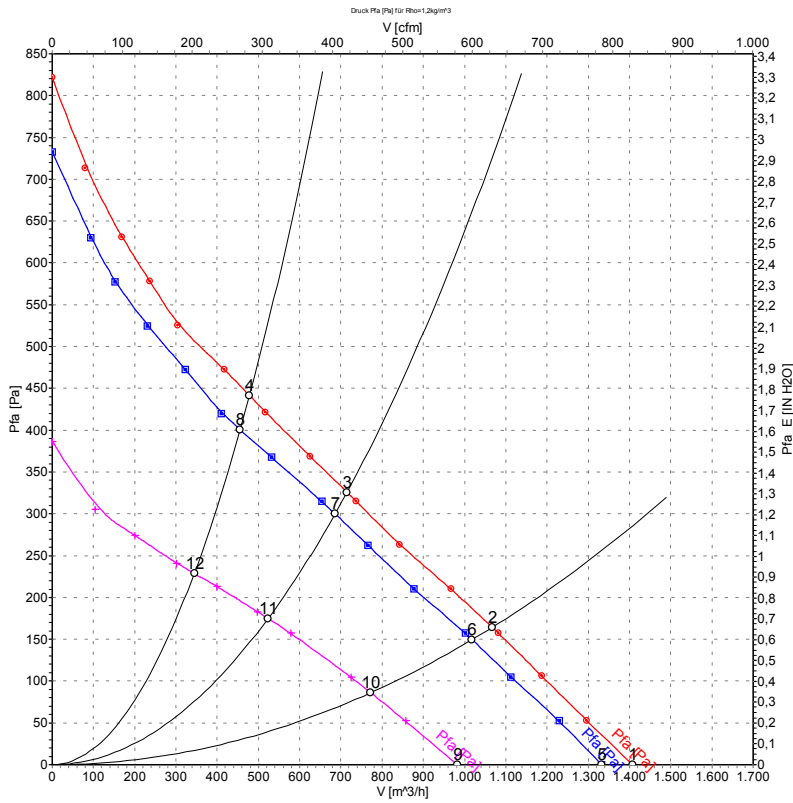
Connection screen



Drawing preliminary!

| Line | No. | Signal | Colour | Function / assignment |
|------|-----|------------|--------|--|
| | 1 | Un +52 VDC | red | Power supply 52 VDC, residual ripple 3.5 % |
| | 4 | GND | blue | Reference mass |

Charts: Air flow



Measurement: LU-65835
Measurement: LU-65834
Measurement: LU-65837

Measured values

| | U | n | P ₁ | I | \hat{V} | p _{fa} |
|----|-----|----------------------|----------------|------|---------------------|-----------------|
| | [V] | [min ⁻¹] | [W] | [A] | [m ³ /h] | [Pa] |
| 1 | 57 | 2830 | 130 | 2.83 | 1405 | 0 |
| 2 | 57 | 2560 | 136 | 3.02 | 1065 | 164 |
| 3 | 57 | 2465 | 139 | 3.12 | 715 | 326 |
| 4 | 57 | 2550 | 136 | 3.04 | 480 | 441 |
| 5 | 52 | 2700 | 120 | 2.70 | 1335 | 0 |
| 6 | 52 | 2475 | 122 | 2.89 | 1020 | 150 |
| 7 | 52 | 2355 | 124 | 2.96 | 685 | 300 |
| 8 | 52 | 2450 | 122 | 2.89 | 455 | 400 |
| 9 | 32 | 1955 | 47 | 1.74 | 985 | 0 |
| 10 | 32 | 1880 | 52 | 1.92 | 770 | 86 |
| 11 | 32 | 1820 | 55 | 2.03 | 525 | 175 |
| 12 | 32 | 1870 | 53 | 1.94 | 345 | 229 |