

EC centrifugal fan

backward curved, single inlet

R1G250-AC79-09 ebmpapst Datasheet

sales@fansco.com

www.fansco.com

Limited partnership · Headquarters Muldingen
 County court Stuttgart · HRA 590344

General partner Elektrobau Muldingen GmbH · Headquarters Muldingen
 County court Stuttgart · HRB 590142

Nominal data

Type	R1G250-AC79-09	
Motor	M1G074-BF	
Nominal voltage	VDC	12
Nominal voltage range	VDC	8 .. 16
Type of data definition		fa
Speed (rpm)	min ⁻¹	2180
Power input	W	75
Current draw	A	6.8
Min. ambient temperature	°C	-25
Max. ambient temperature	°C	60

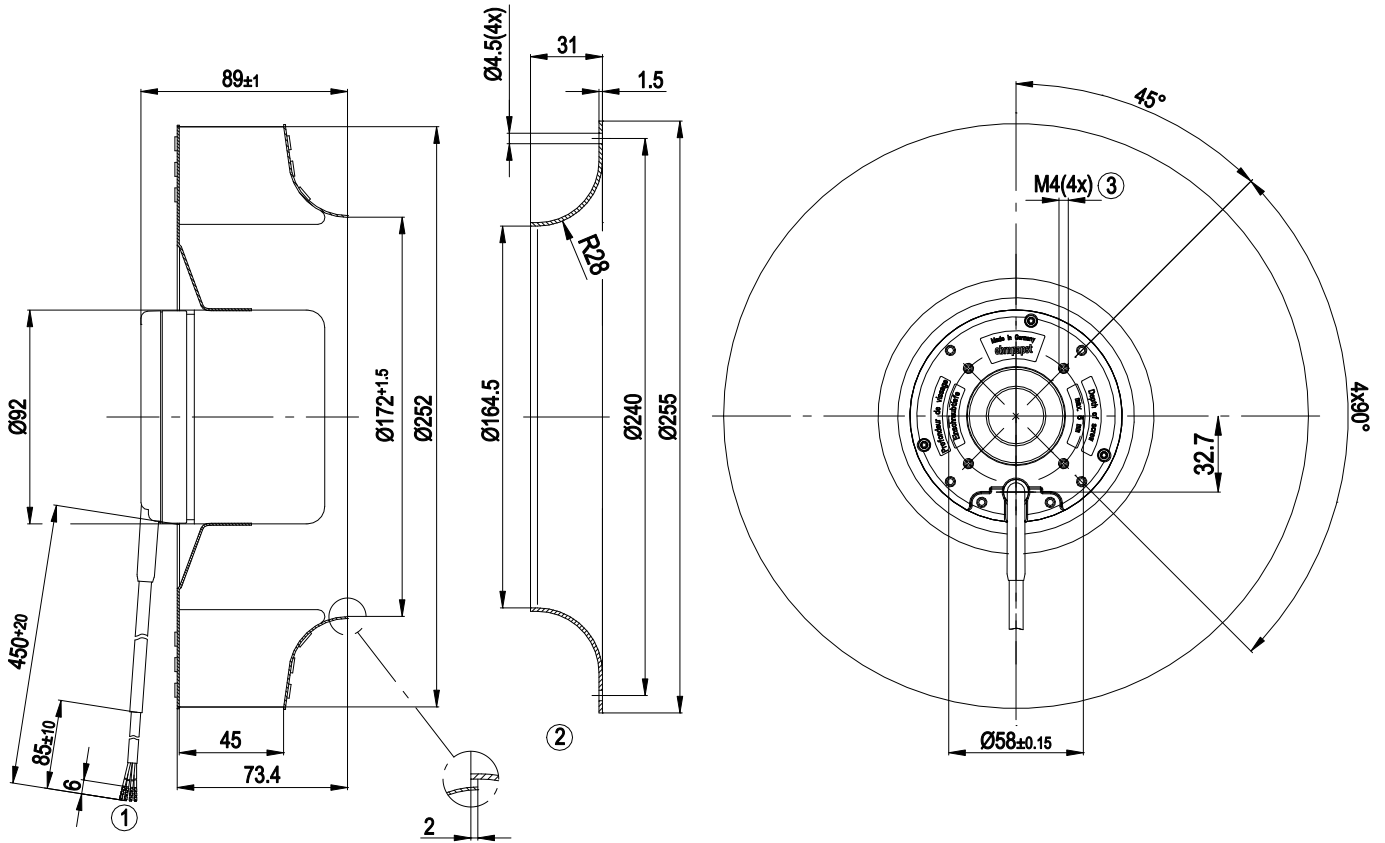
ml = Max. load · me = Max. efficiency · fa = Running at free air · cs = Customer specs · cu = Customer unit
 Subject to alterations



Technical features

Mass	2.1 kg
Size	250 mm
Motor size	74
Surface of rotor	Coated in black
Material of impeller	Sheet steel, coated in black
Number of blades	11
Direction of rotation	Clockwise, seen on rotor
Type of protection	IP44
Insulation class	"B"
Humidity (F) / environmental protection class (H)	H1+
Max. permissible ambient motor temp. (transp./ storage)	+80 °C
Min. permissible ambient motor temp. (transp./storage)	-40 °C
Mounting position	Shaft horizontal or rotor on bottom
Condensation drainage holes	Rotor-side
Operation mode	S1
Motor bearing	Ball bearing with anti-freezing grease
Technical features	<ul style="list-style-type: none"> - Tach output - Motor current limit - Soft start - Control input 0-10 VDC / PWM - Standstill upon cable break - Reverse polarity protection
Cable exit	Variable
Product conforming to standard	EN 60950-1
Approval	CSA C22.2 no. 77; UL 1004-1

Product drawing



1	Connection line PVC AWG18, 4x lead tips crimped
2	Accessory part: Inlet nozzle 96359-2-4013 not included in scope of delivery
3	Screw depth max. 6 mm

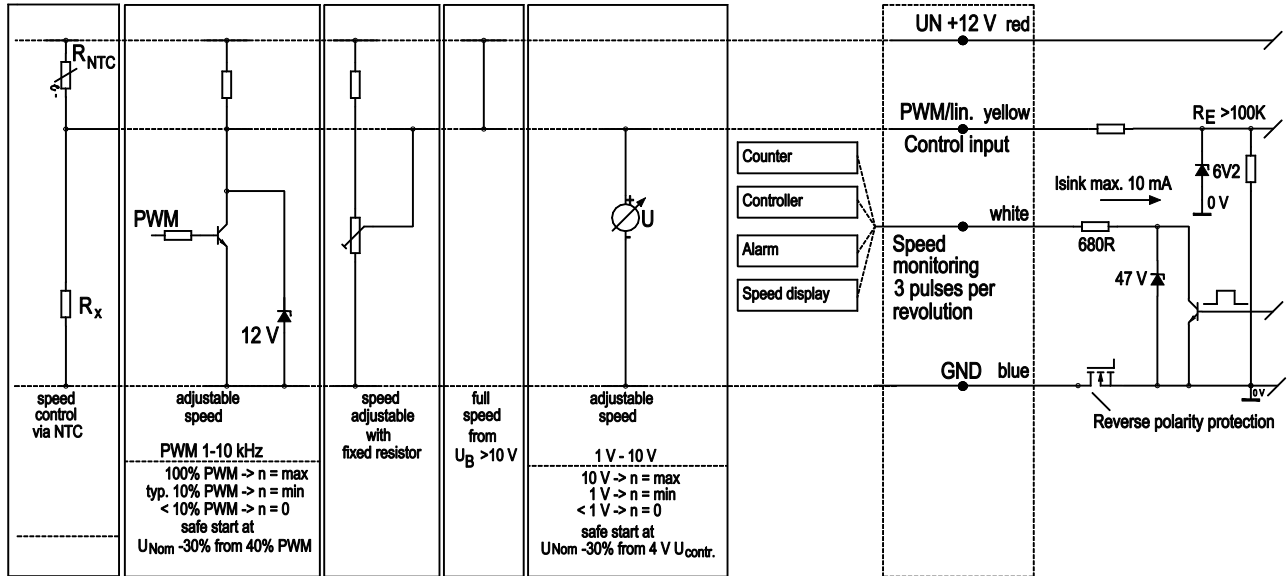
EC centrifugal fan

backward curved, single inlet

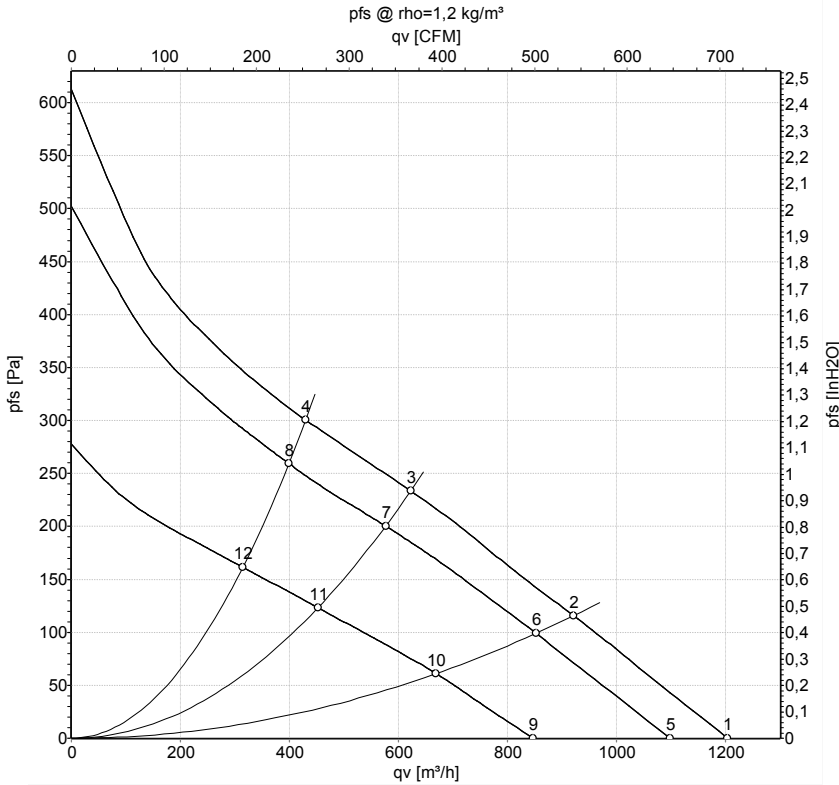
Connection screen

Customer circuit

Application information for various control options



Charts: Air flow



Measurement: LU-59299-1
 Measurement: LU-59296-1
 Measurement: LU-59297-1

Air performance measured as per ISO 5801
 Installation category A. For detailed
 information on the measuring set-up, please
 contact ebm-papst. Suction-side noise
 levels: LwA measured as per ISO 13347 /
 LpA measured with 1m distance to fan axis.
 The values given are valid under the
 measuring conditions mentioned above and
 may vary according to the actual installation
 situation. With any deviation from the
 standard set-up, the specific values have to
 be checked and reviewed with the unit
 installed.

Measured values

	U	n	P _{ed}	I	q _v	p _{fs}	q _v	p _{fs}
	V	min ⁻¹	W	A	m ³ /h	Pa	cfm	in. wg
1	14	2375	92	7.31	1205	0	710	0.00
2	14	2175	99	8.04	920	116	540	0.47
3	14	2100	102	8.39	620	233	365	0.94
4	14	2140	100	8.19	430	300	250	1.20
5	12	2180	75	6.80	1100	0	645	0.00
6	12	2015	81	7.39	850	100	500	0.40
7	12	1945	83	7.66	575	200	340	0.80
8	12	1985	82	7.51	400	260	235	1.04
9	8	1690	37	4.99	845	0	500	0.00
10	8	1590	41	5.55	670	61	395	0.24
11	8	1545	43	5.79	450	123	265	0.49
12	8	1570	42	5.66	315	161	185	0.65

U = Supply voltage · n = Speed (rpm) · P_{ed} = Power input · I = Current draw · q_v = Air flow · p_{fs} = Pressure increase

