

R1G250-AB53-17

EC centrifugal fan

backward curved, single inlet

R1G250-AB53-17 ebmpapst Datasheet

sales@fansco.com

www.fansco.com

Limited partnership · Headquarters Muldingen
County court Stuttgart · HRA 590344

General partner Elektrobau Muldingen GmbH · Headquarters Muldingen
County court Stuttgart · HRB 590142

Nominal data

Type	R1G250-AB53-17	
Motor	M1G074-BF	
Nominal voltage	VDC	52
Nominal voltage range	VDC	32 .. 65
Type of data definition		fa
Speed (rpm)	min ⁻¹	1880
Power input	W	54
Current draw	A	1.95
Min. ambient temperature	°C	-25
Max. ambient temperature	°C	60

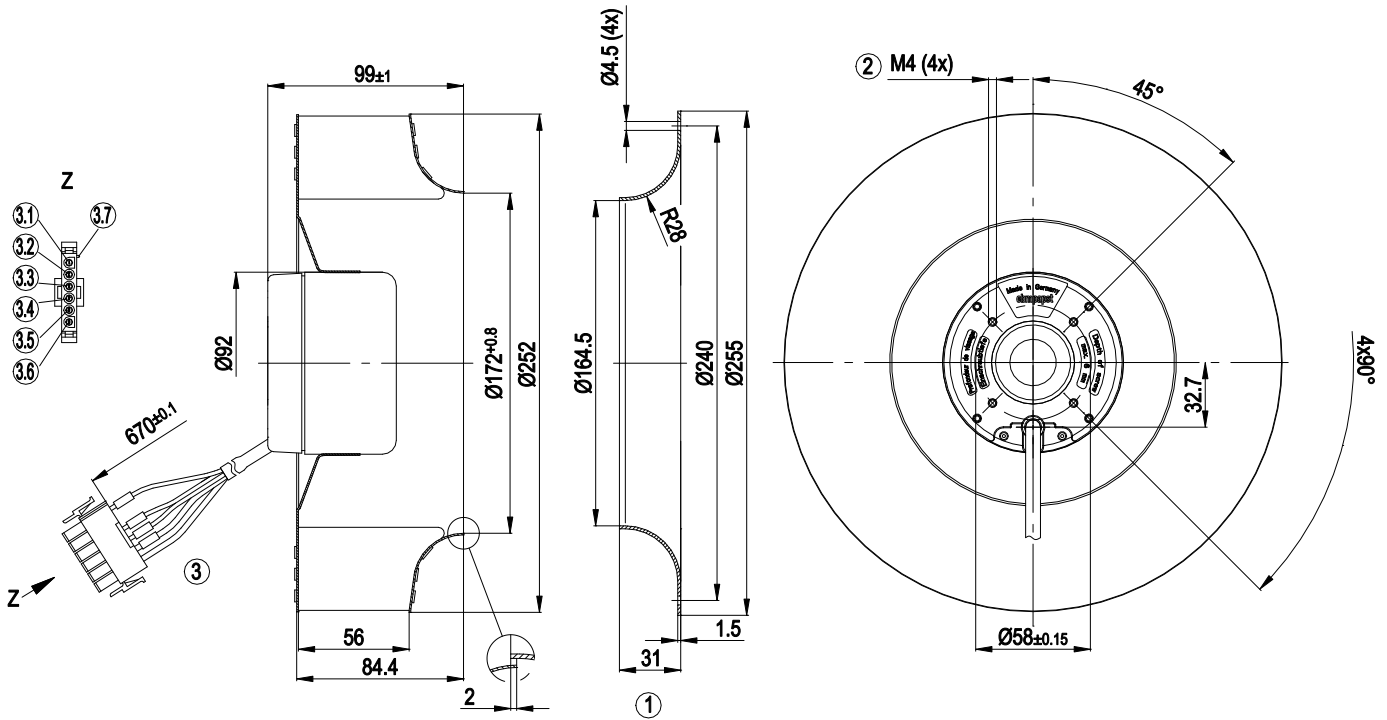
ml = Max. load · me = Max. efficiency · fa = Running at free air · cs = Customer specs · cu = Customer unit
Subject to alterations



Technical features

Mass	2.15 kg
Size	250 mm
Surface of rotor	Coated in black
Material of impeller	Sheet steel, coated in black
Number of blades	11
Direction of rotation	Clockwise, seen on rotor
Type of protection	IP 42
Insulation class	"B"
Humidity (F)/environmental protection class (H)	H1
Max. permissible ambient motor temp. (transp./ storage)	+80 °C
Min. permissible ambient motor temp. (transp./storage)	-40 °C
Mounting position	Any
Condensate discharge holes	None
Operation mode	S1
Motor bearing	Ball bearing
Technical features	<ul style="list-style-type: none"> - Tach output - Motor current limit - Soft start - Control input 2-bit
Electrical leads	With plug
Motor protection	Reverse polarity and locked-rotor protection
Cable exit	Variable
Approval	UL 1004-1; CSA C22.2 No.77

Product drawing

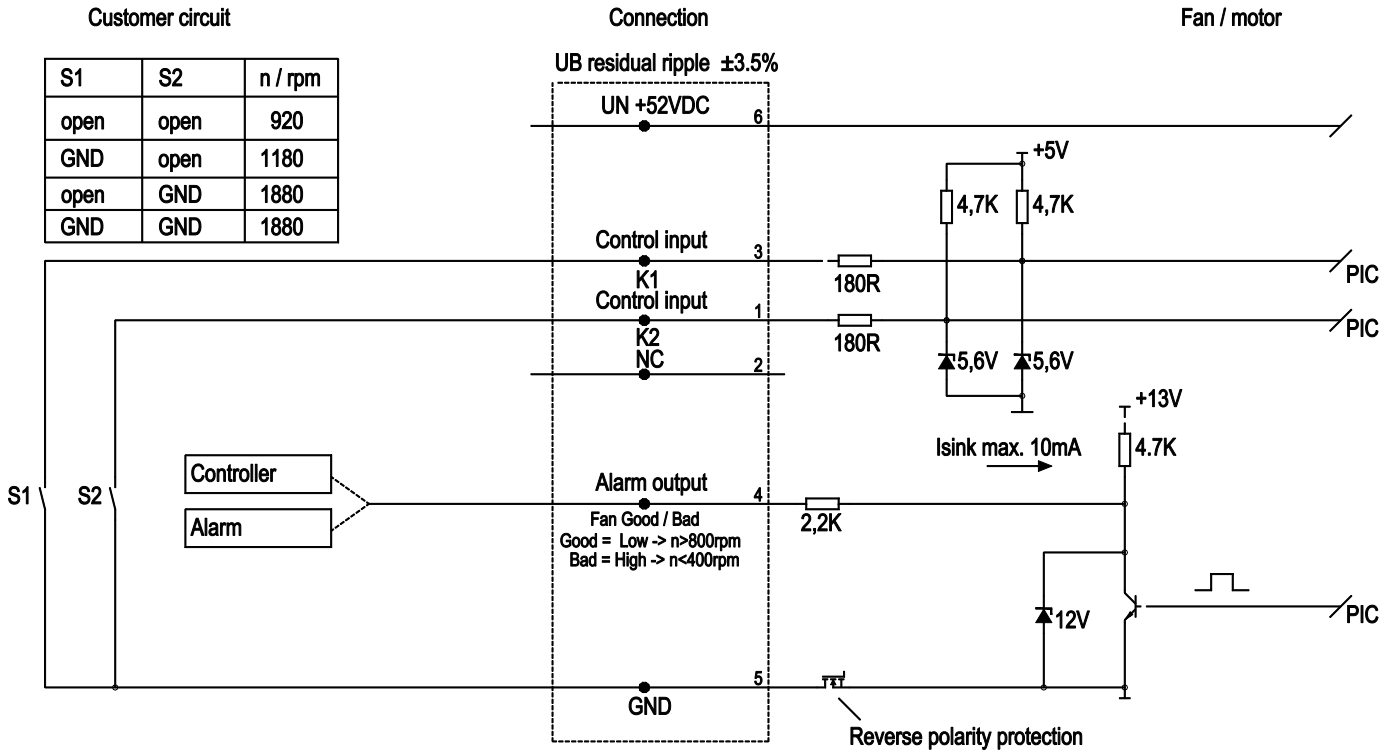


1	Accessory part: Inlet nozzle 96359-2-4013 not included in scope of delivery; other inlet nozzles on request
2	Thread reach max. 6 mm
3	Single strands LUL/BRB/RIA 1.5/0.5 mm ² with connector housing 6-pole (AMP 640 581-1), 5x plug pin (AMP 926887-7)
3.1	Control input; cable cross-section 0.5 mm ²
3.2	not used
3.3	Control input; cable cross-section 0.5 mm ²
3.4	fan good/bad; cable cross-section 0.5 mm ²
3.5	-; cable cross-section 1.5 mm ²
3.6	+; cable cross-section 1.5 mm ²
3.7	Polarising rib

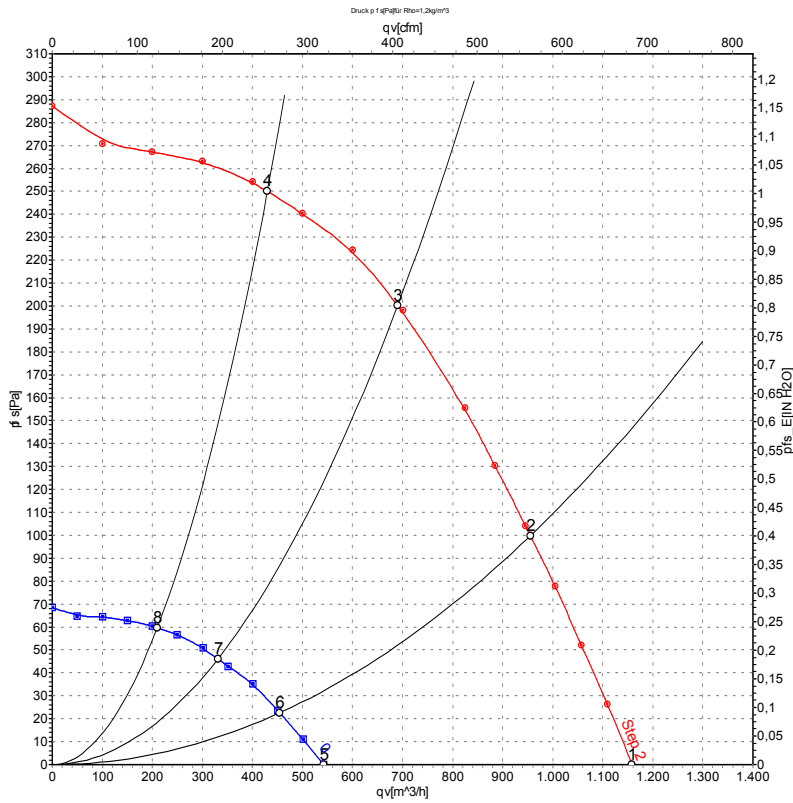
EC centrifugal fan

backward curved, single inlet

Connection screen



Charts: Air flow



Measurement: LU-108396-1
Measurement: LU-108406-1

Air performance measured as per ISO 5801 Installation category A. For detailed information on the measuring set-up, please contact ebm-papst. Suction-side noise levels: LwA measured as per ISO 13347 / LpA measured with 1m distance to fan axis. The values given are valid under the measuring conditions mentioned above and may vary according to the actual installation situation. With any deviation from the standard set-up, the specific values have to be checked and reviewed with the unit installed.

Measured values

	Stage	U	n	P _{ed}	I	qv	p _{fs}	qv	p _{fs}
		V	min ⁻¹	W	A	m ³ /h	Pa	CFM	inH ₂ O
1	2	52	1880	54	1.95	1160	0	680	0.00
2	2	52	1880	76	2.14	955	100	560	0.40
3	2	52	1880	91	2.46	690	200	405	0.80
4	2	52	1880	78	2.20	430	250	255	1.00
5	1	52	920	9.1	0.28	540	0	320	0.00
6	1	52	920	11	0.33	455	23	265	0.09
7	1	52	920	12	0.37	330	46	195	0.18
8	1	52	920	12	0.37	210	60	125	0.24

U = Supply voltage · n = Speed (rpm) · P_{ed} = Power input · I = Current draw · qv = Air flow · p_{fs} = Pressure increase

