

R1G225-RD61-24 ebmpapst Datasheet

sales@fansco.com

www.fansco.com

Limited partnership · Headquarters Muldingen
 County court Stuttgart · HRA 590344

General partner Elektrobau Muldingen GmbH · Headquarters Muldingen
 County court Stuttgart · HRB 590142

Nominal data

Type	R1G225-RD61-24	
Motor	M1G074-BF	
Nominal voltage	VDC	14
Nominal voltage range	VDC	8 .. 16
Type of data definition		fa
State		prelim.
Speed	min ⁻¹	2570
Power input	W	100
Current draw	A	8.8
Min. ambient temperature	°C	-25
Max. ambient temperature	°C	+60

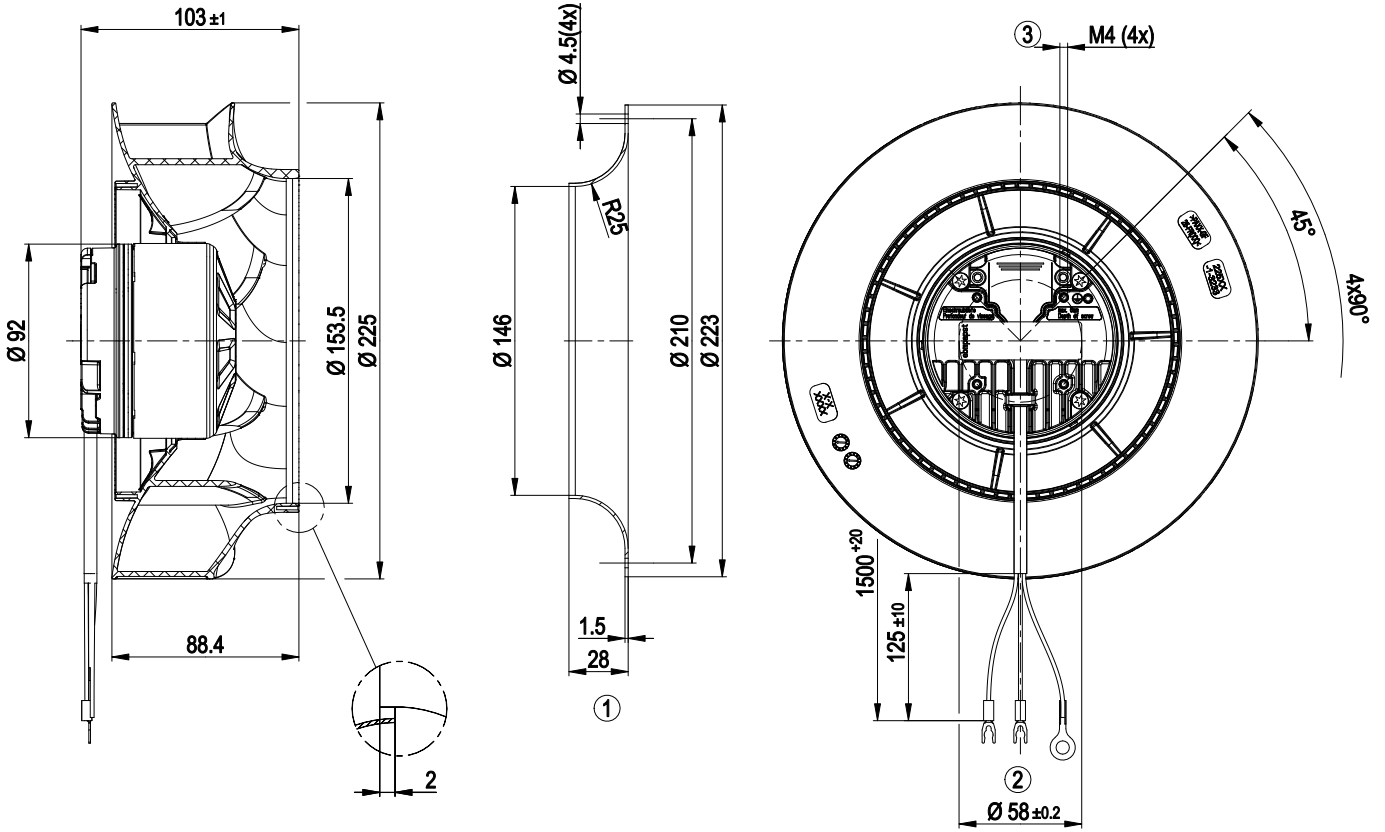
ml = max. load · me = max. efficiency · fa = running at free air · cs = customer specs · cu = customer unit
 Subject to alterations



Technical features

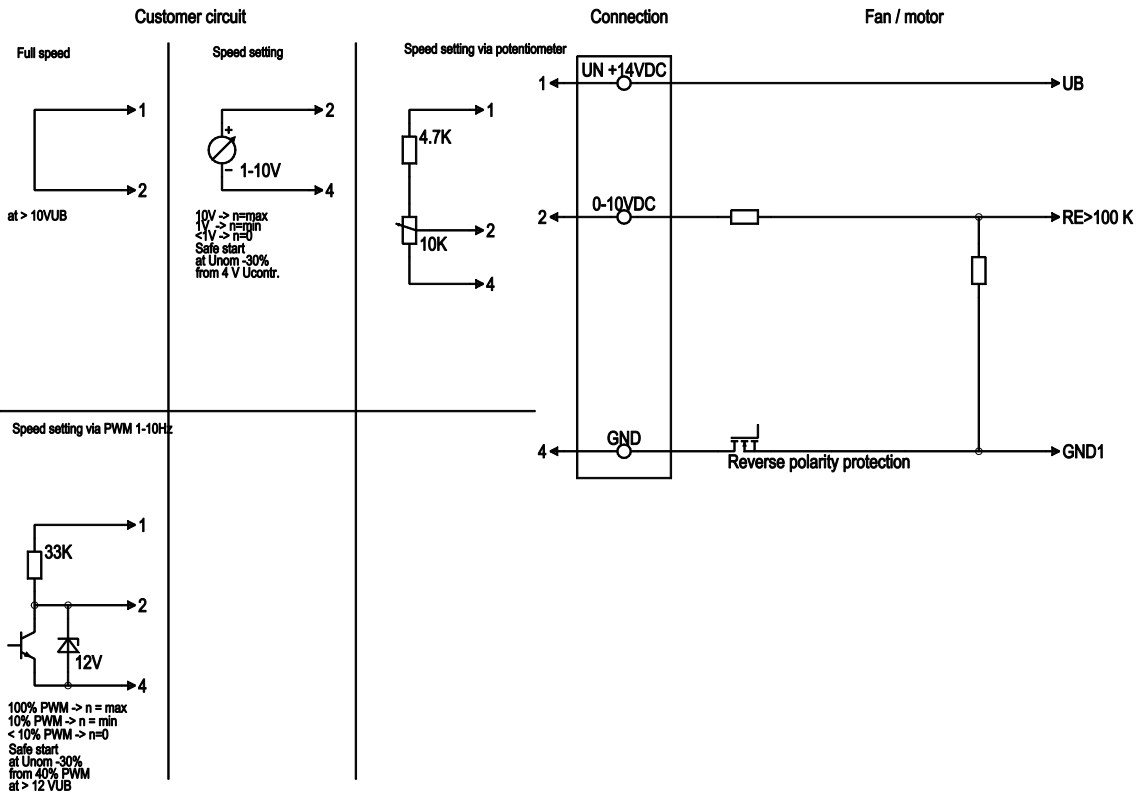
Mass	1.6 kg
Size	225 mm
Surface of rotor	Coated in black
Material of impeller	PA plastic
Number of blades	7
Direction of rotation	Clockwise, seen on rotor
Type of protection	IP 24 KM; (Motor); electronics IP 66 / 69 K
Insulation class	"B"
Humidity class	F5
Max. permissible ambient motor temp. (transp./ storage)	+80 °C
Min. permissible ambient motor temp. (transp./storage)	-40 °C
Mounting position	Rotor on bottom
Condensate discharge holes	Rotor-side
Operation mode	S1
Motor bearing	Ball bearing with anti-freezing grease
Technical features	<ul style="list-style-type: none"> - Cable break detection with control line - Output limit - Motor current limit - Soft start - Control input 0-10 VDC / PWM - Overvoltage detection
Electrical leads	With plug
Motor protection	Reverse polarity and locked-rotor protection
Cable exit	Variable

Product drawing



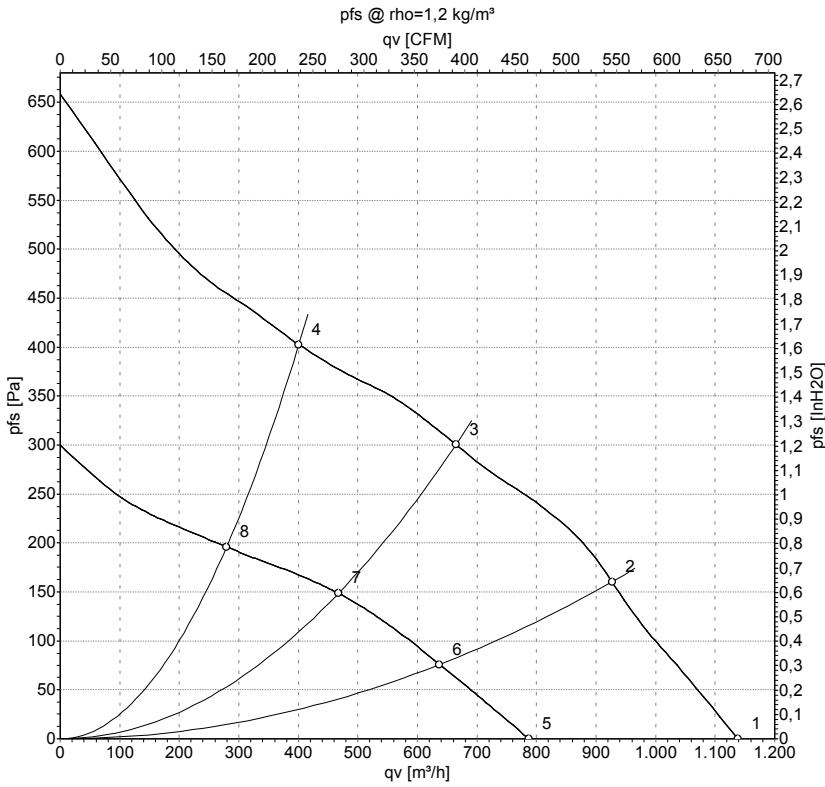
1	Accessory part: Inlet nozzle 96358-2-4013, not included in the standard scope of delivery
2	Connection line FLRYW 3x 0.75mm ² , 1x contact stud (AMP 2-34150-1), 2x forked fitting (AMP 53241-2) crimped.
3	Depth of screw max. 6 mm

Connection screen



Line	No.	Signal	Colour	Function / assignment
	1	Un +14VDC	red	Power supply 14 VDC, for voltage range refer to rating plate, residual ripple 3.5%
	2	0-10VDC	yellow	Control input Re > 100 k
	4	GND	blue	Reference ground

Charts: Air flow



Measurement: LU-148901
Measurement: LU-145545

Air performance measured as per ISO 5801 Installation category A. For detailed information on the measuring set-up, please contact ebm-papst. Suction-side noise levels: LwA measured as per ISO 13347 / LpA measured with 1m distance to fan axis. The values given are valid under the measuring conditions mentioned above and may vary according to the actual installation situation. With any deviation from the standard set-up, the specific values have to be checked and reviewed with the unit installed.

Measured values

	U	n	P _{ed}	I	qv	p _{fs}
	V	min ⁻¹	W	A	m ³ /h	Pa
1	14-16	2570	100	8.8*	1140	0
2	14-16	2465	109	9.60*	925	160
3	14-16	2445	112	9.83*	665	300
4	14-16	2540	107	9.30*	400	400
5	8	1800	35	5.24	785	0
6	8	1715	39	5.82	635	76
7	8	1715	38	5.75	465	149
8	8	1775	36	5.41	280	196

U = Supply voltage · n = Speed · P_{ed} = Power input · I = Current draw · * = Current measured at rated voltage · qv = Air flow · p_{fs} = Pressure increase

