

R1G225-RD10-02

EC centrifugal fan - RadiCal

backward curved, single inlet



R1G225-RD10-02 ebmpapst Datasheet

sales@fansco.com

www.fansco.com

Limited partnership · Headquarters Muldingen
County court Stuttgart · HRA 590344

General partner Elektrobau Muldingen GmbH · Headquarters Muldingen
County court Stuttgart · HRB 590142

Nominal data

Type	R1G225-RD10-02	
Motor	M1G074-BF	
Nominal voltage	VDC	24
Nominal voltage range	VDC	16 .. 28
Type of data definition		fa
State		prelim.
Speed (rpm)	min ⁻¹	2600
Power input	W	105
Current draw	A	6.2
Min. ambient temperature	°C	-40
Max. ambient temperature	°C	60

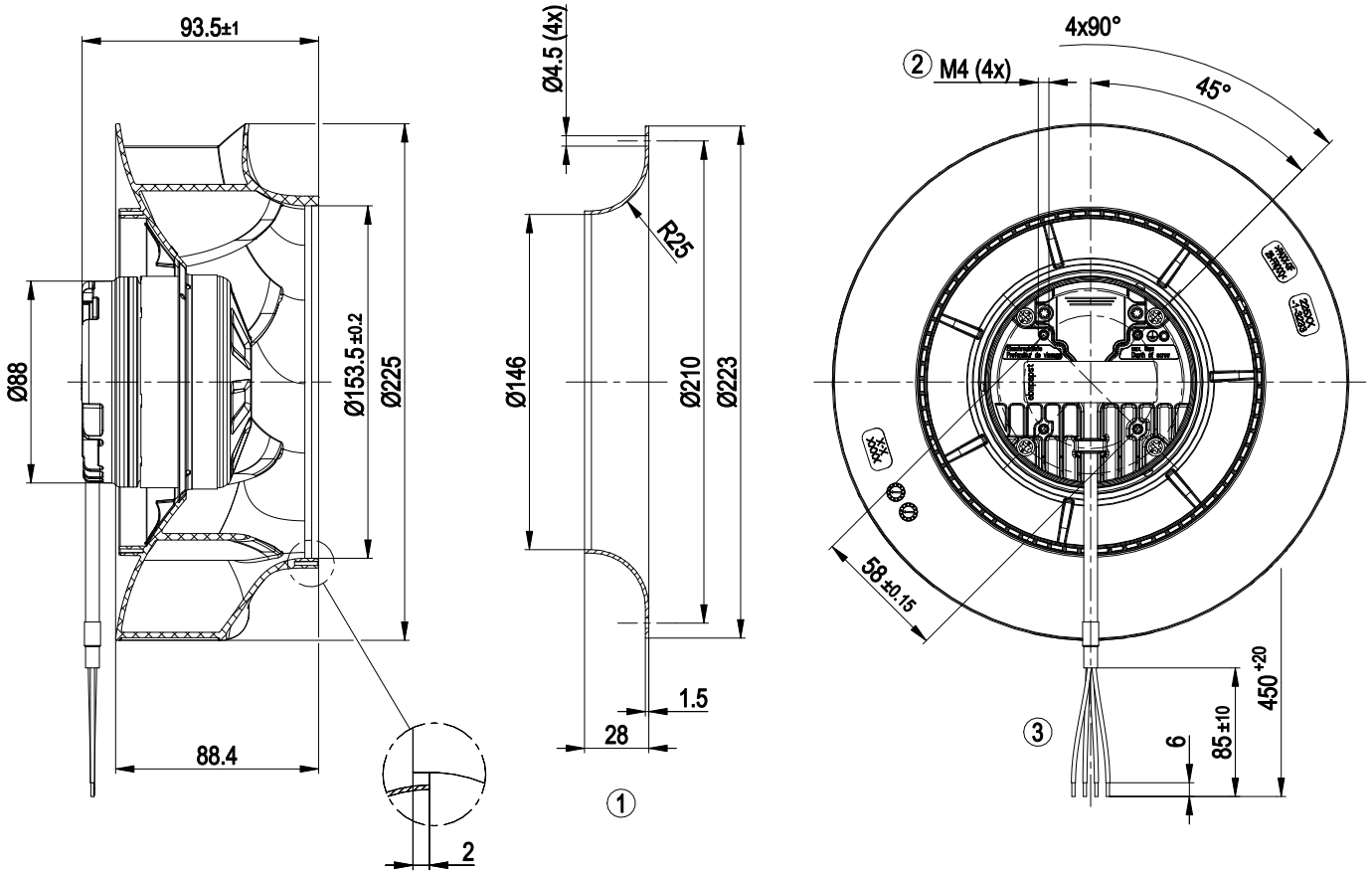
ml = Max. load · me = Max. efficiency · fa = Running at free air · cs = Customer specs · cu = Customer unit
Subject to alterations



Technical features

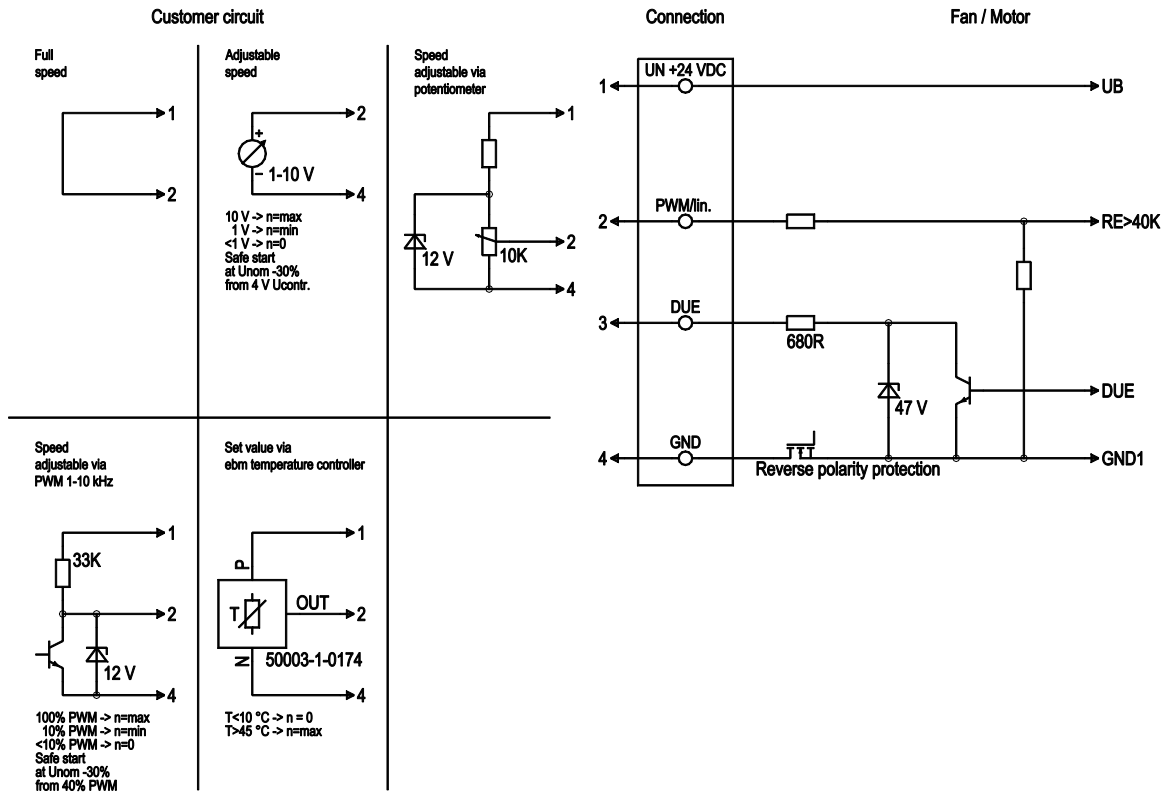
Mass	1.6 kg
Size	225 mm
Surface of rotor	Galvanised
Material of electronics housing	Die-cast aluminium, coated in black
Material of impeller	PA plastic
Number of blades	7
Direction of rotation	Clockwise, seen on rotor
Type of protection	IP 24 KM; Electronics IP 66 / 69 K
Insulation class	"B"
Humidity (F)/environmental protection class (H)	H2+
Note ambient temperature	Occasional start-up between -40°C and -25°C is permissible. For continuous operation at ambient temperatures below -25°C (e.g. refrigeration applications) we recommend our fan version with special low-temperature bearings.
Max. permissible ambient motor temp. (transp./ storage)	+70 °C
Min. permissible ambient motor temp. (transp./storage)	-40 °C
Mounting position	Shaft horizontal or rotor on bottom; rotor on top on request
Condensate discharge holes	Rotor-side
Operation mode	S1
Motor bearing	Ball bearing; (sealed)
Technical features	<ul style="list-style-type: none"> - Tach output - Motor current limit - Soft start - Control input 0-10 VDC / PWM - Overvoltage detection - Over-temperature protected electronics
Motor protection	Reverse polarity and locked-rotor protection
Cable exit	Axial
Approval	UL 507; EAC

Product drawing



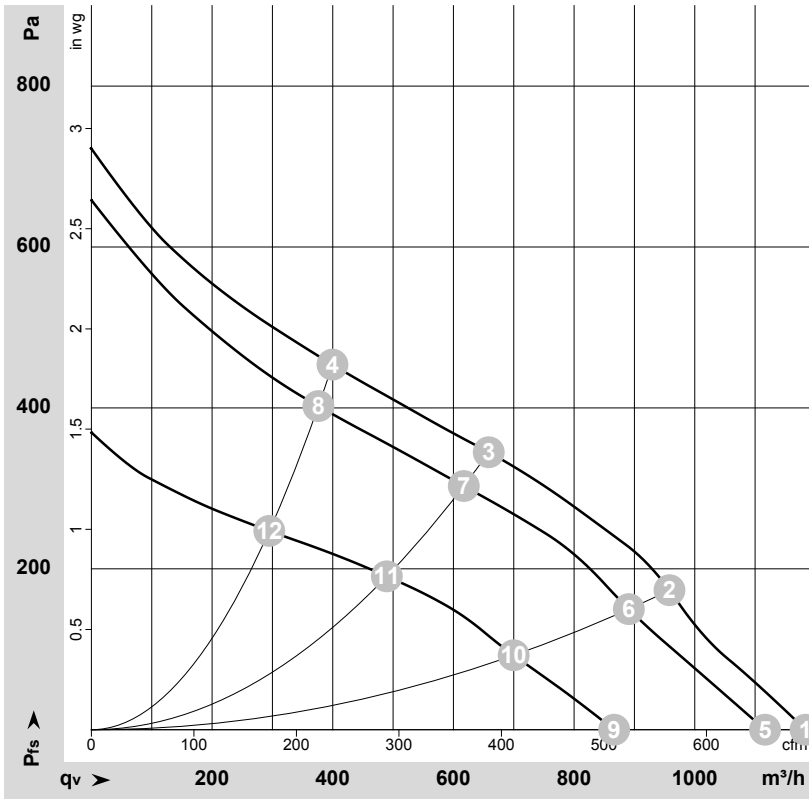
- | | |
|---|---|
| 1 | Accessory part: Inlet nozzle 96358-2-4013 not included in scope of delivery |
| 2 | Thread reach max. 6 mm |
| 3 | Connection line PVC 4x AWG18, insulating sleeve, 4x lead tips crimped |

Connection screen



No.	Conn.	Designation	Colour	Function / assignment
	1	UN +24 VDC	red	Power supply 24 VDC, maximum ripple 3.5 %
	2	PWM/LIN	yellow	Control input Re > 40k
	3	DUE	white	Speed monitoring output, 3 pulses per revolution, Isink max = 10 mA
	4	GND	blue	Reference earth

Charts: Air flow



$\rho = 1.15 \text{ kg/m}^3 \pm 2 \%$

Measurement: LU-166360-1
 Measurement: LU-165797-1
 Measurement: LU-166349-1

Air performance measured as per ISO 5801 Installation category A. For detailed information on the measuring set-up, please contact ebm-papst. Suction-side noise levels: LwA measured as per ISO 13347 / LpA measured with 1m distance to fan axis. The values given are valid under the measuring conditions mentioned above and may vary according to the actual installation situation. With any deviation from the standard set-up, the specific values have to be checked and reviewed with the unit installed.

Measured values

	U	n	P _{ed}	I	LpA _{in}	LwA _{in}	q _v	P _{fs}	q _v	P _{fs}
	V	min ⁻¹	W	A	dB(A)	dB(A)	m ³ /h	Pa	cfm	inH2O
1	28	2755	131	6.54			1185	0	695	0.00
2	28	2655	137	6.90			960	174	565	0.70
3	28	2625	139	7.05			660	345	390	1.39
4	28	2735	132	6.59			400	454	235	1.82
5	24	2600	105	6.20	66	74	1115	0	655	0.00
6	24	2455	110	6.56	62	69	890	150	525	0.60
7	24	2460	108	6.51	58	66	615	300	365	1.20
8	24	2580	105	6.19	63	70	375	400	220	1.61
9	16	2025	52	4.04			865	0	510	0.00
10	16	1955	56	4.38			700	92	410	0.37
11	16	1960	56	4.35			490	191	290	0.77
12	16	2025	52	4.05			295	247	175	0.99

U = Supply voltage · n = Speed (rpm) · P_{ed} = Power input · I = Current draw · LpA_{in} = Sound pressure level inlet side · LwA_{in} = Sound power level inlet side · q_v = Air flow · p_{fs} = Pressure increase

