

R1G225-AG03-18

EC centrifugal fan

backward curved, single inlet



R1G225-AG03-18 ebmpapst Datasheet

sales@fansco.com

www.fansco.com

Limited partnership · Headquarters Mulfingen
County court Stuttgart · HRA 590344

General partner: Elektrobau Mulfingen GmbH · Headquarters Mulfingen
County court Stuttgart · HRB 590142

Nominal data

Type	R1G225-AG03-18	
Motor	M1G074-CF	
Nominal voltage	VDC	27
Nominal voltage range	VDC	18 .. 30
Type of data definition		fa
Speed	min ⁻¹	2850
Power input	W	122
Current draw	A	5
Min. ambient temperature	°C	-25
Max. ambient temperature	°C	+70

ml = max. load · me = max. efficiency · fa = running at free air · cs = customer specs · cu = customer unit
Subject to alterations



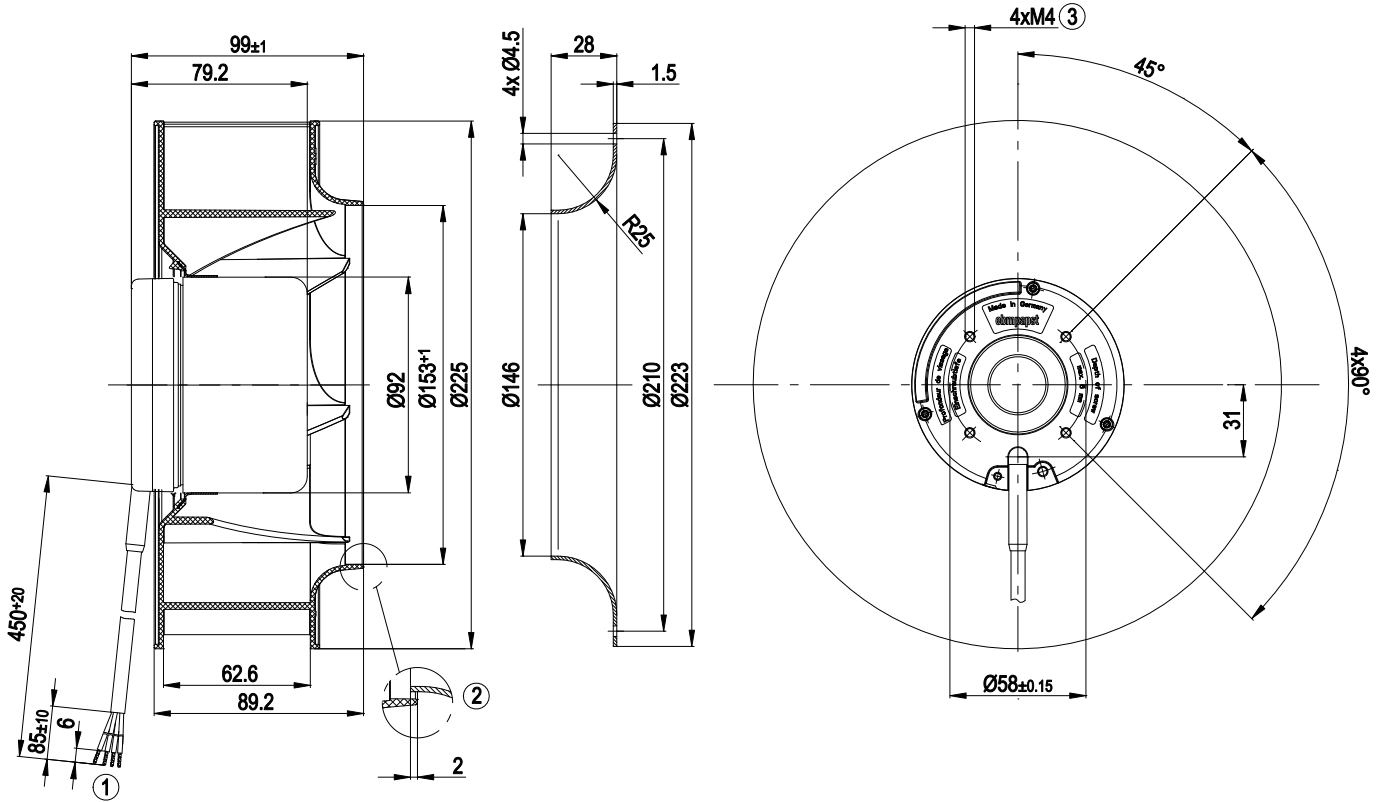
Technical features

Mass	1.8 kg
Size	225 mm
Surface of rotor	Coated in black
Material of impeller	Plastic PA66, fibreglass-reinforced, round sheet-metal plate coated in black
Number of blades	7
Stability	Salt fog resistant in accordance with TELCORDIA GR-487-CORE, release No. 2, March 2000
Direction of rotation	Clockwise, seen on rotor
Type of protection	IP 44
Insulation class	"B"
Humidity class	F4-2
Max. permissible ambient motor temp. (transp./ storage)	+80 °C
Min. permissible ambient motor temp. (transp./storage)	-40 °C
Mounting position	Any
Condensate discharge holes	None
Operation mode	S1
Motor bearing	Ball bearing
Technical features	<ul style="list-style-type: none"> - Control input 0-10 VDC / PWM - Tach output - Motor current limit - Soft start
EMC interference immunity	Acc. to EN 61000-6-2
EMC interference emission	Acc. to EN 61000-6-3
Motor protection	Reverse polarity and locked-rotor protection
Cable exit	Variable
Product conforming to standard	EN 60950-1
Approval	CSA C22.2 Nr.77; UL 1004-1

EC centrifugal fan

backward curved, single inlet

Product drawing

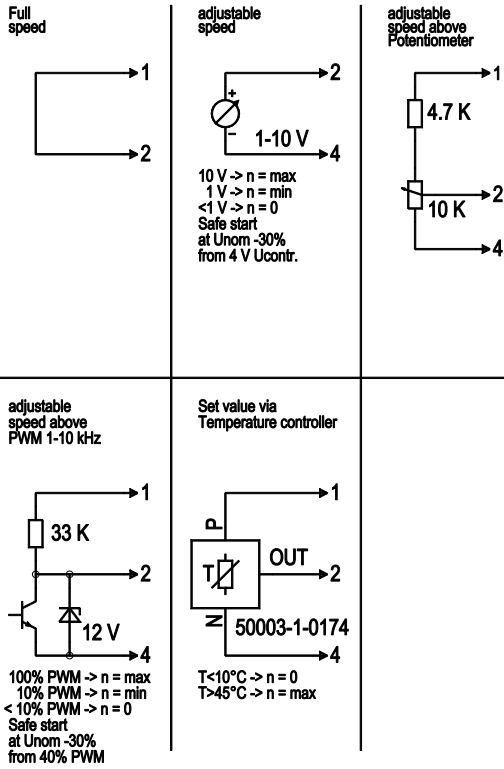


1	Connection line AWG20, 4 x brass lead tips crimped
2	Accessory part: Inlet nozzle 96358-2-4013, not included in the standard scope of delivery
3	Depth of screw max. 6 mm



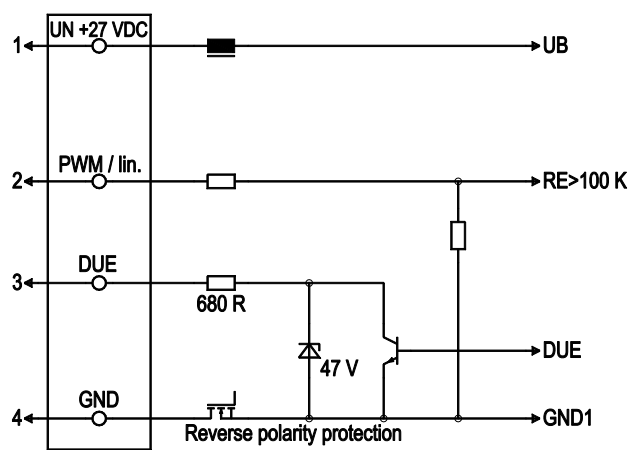
Connection screen

Customer circuit



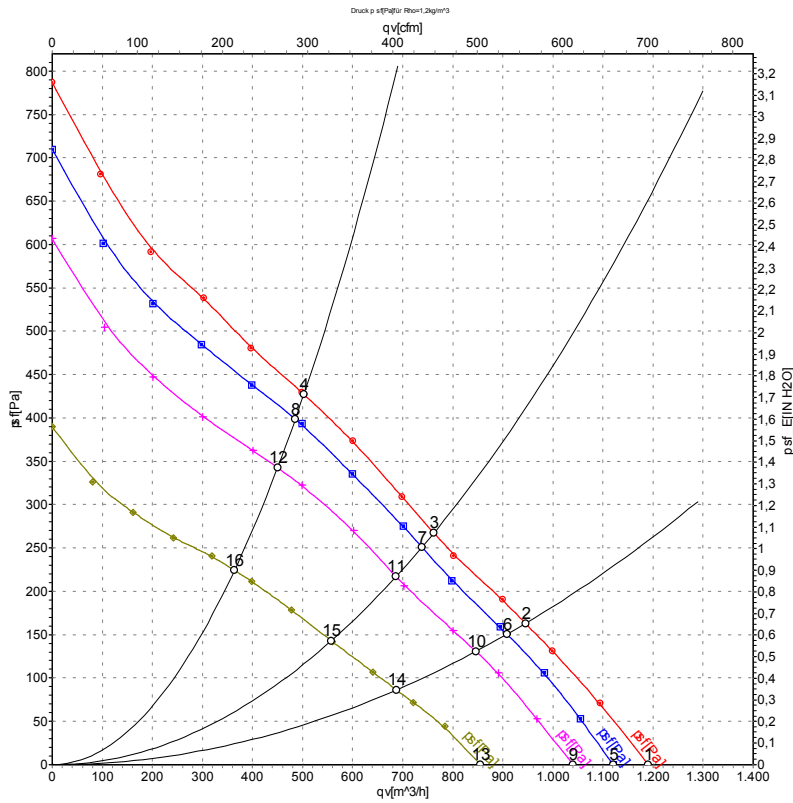
Connection

Fan / motor



Line	No.	Signal	Colour	Function / assignment
1	1	Un +27 V	red	Power supply 27 VDC, residual ripple 3.5 %
1	2	PWM / lin	yellow	PWM / lin, control input, 0-10 V
1	3	DUE	white	Speed monitoring output, 3 pulses per revolution, Isink max = 10 mA
1	4	GND	blue	Reference mass

Charts: Air flow



Measurement: LU-122351
 Measurement: LU-122349
 Measurement: LU-122348
 Measurement: LU-122352

Air performance measured as per ISO 5801 Installation category A. For detailed information on the measuring set-up, please contact ebmpapst. Suction-side noise levels: L_{wA} measured as per ISO 13347 / L_{pA} measured with 1m distance to fan axis. The values given are valid under the measuring conditions mentioned above and may vary according to the actual installation situation. With any deviation from the standard set-up, the specific values have to be checked and reviewed with the unit installed.

Measured values

	U	n	P _e	I	q _v	P _{sf}
	V	min ⁻¹	W	A	m ³ /h	Pa
1	30	2990	142	5.17	1190	0
2	30	2855	145	5.35	945	163
3	30	2815	146	5.40	760	267
4	30	2895	144	5.29	500	428
5	27	2815	120	4.84	1120	0
6	27	2730	126	5.10	910	150
7	27	2695	127	5.17	740	250
8	27	2750	125	5.04	485	400
9	24	2630	95	4.31	1040	0
10	24	2535	102	4.65	845	131
11	24	2510	104	4.74	685	216
12	24	2560	100	4.56	450	342
13	18	2165	54	3.35	855	0
14	18	2090	59	3.62	690	86
15	18	2075	60	3.68	555	143
16	18	2115	57	3.52	365	224

