

R1G225-AF79-24

EC centrifugal fan

backward curved, single inlet

R1G225-AF79-24 ebmpapst Datasheet FansCo

sales@fansco.com

www.fansco.com

Nominal data

| | | |
|--------------------------|-------------------|---------|
| Type | R1G225-AF79-24 | |
| Motor | M1G074-BF | |
| Nominal voltage | VDC | 14 |
| Nominal voltage range | VDC | 8 .. 16 |
| Type of data definition | | fa |
| Speed (rpm) | min ⁻¹ | 2500 |
| Power input | W | 95 |
| Current draw | A | 7.2 |
| Min. ambient temperature | °C | -25 |
| Max. ambient temperature | °C | 60 |

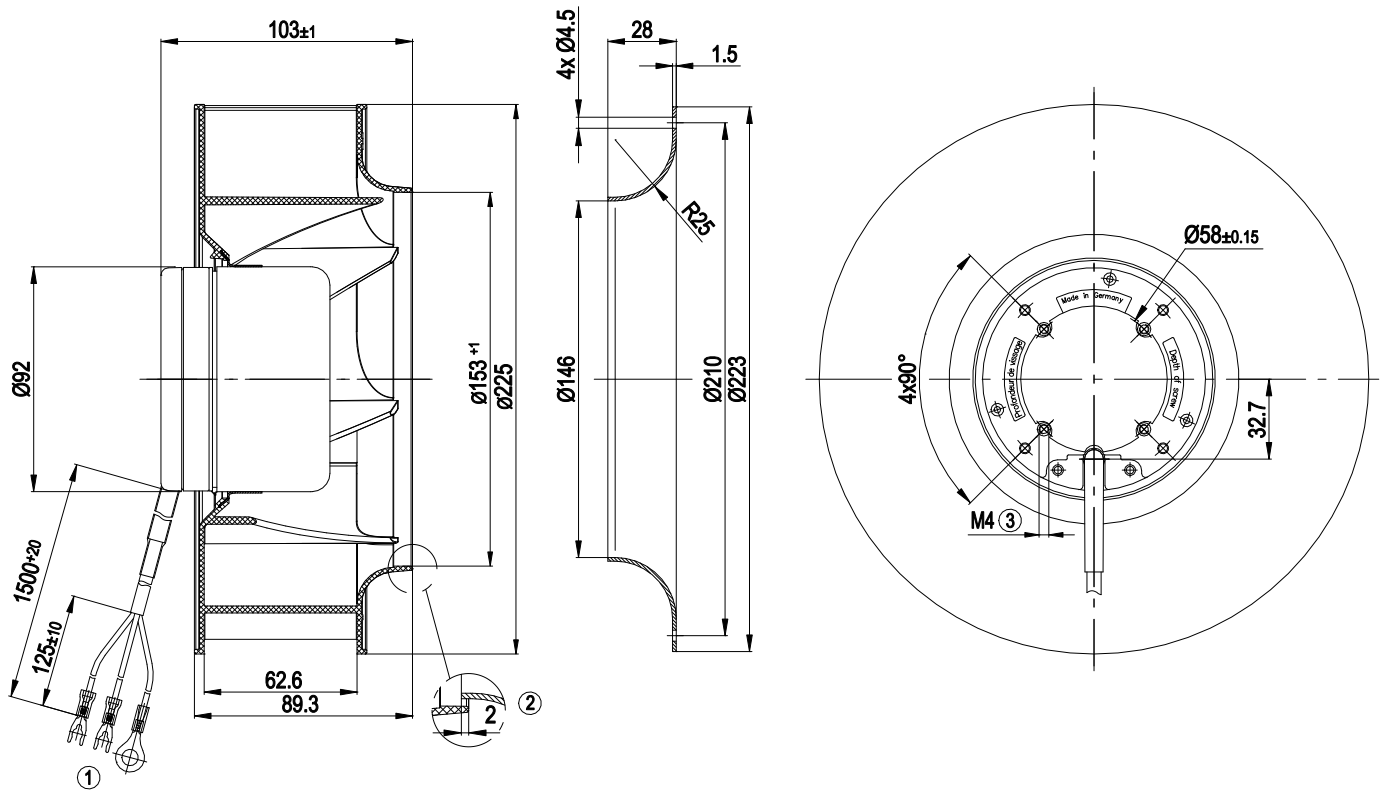
ml = Max. load · me = Max. efficiency · fa = Running at free air · cs = Customer specs · cu = Customer unit
Subject to alterations



Technical features

| | |
|--|--|
| Mass | 1.7 kg |
| Size | 225 mm |
| Surface of rotor | Coated in black |
| Material of impeller | Plastic PA, round sheet-metal plate coated in black |
| Number of blades | 7 |
| Stability | Salt fog resistant in accordance with TELCORDIA GR-487-CORE, release No. 2, March 2000 |
| Direction of rotation | Clockwise, seen on rotor |
| Type of protection | IP 44 |
| Insulation class | "B" |
| Humidity (F)/environmental protection class (H) | F5 |
| Max. permissible ambient motor temp. (transp./ storage) | +70 °C |
| Min. permissible ambient motor temp. (transp./storage) | -40 °C |
| Mounting position | Any |
| Condensate discharge holes | Rotor-side |
| Operation mode | S1 |
| Motor bearing | Ball bearing with anti-freezing grease |
| Technical features | - Motor current limit - Control input 0-10 VDC / PWM |
| Electrical leads | With plug |
| Motor protection | Reverse polarity and locked-rotor protection |
| Cable exit | Variable |
| Product conforming to standard | EN 60950-1 |
| Approval | CSA C22.2 No.77; UL 1004-1 |

Product drawing

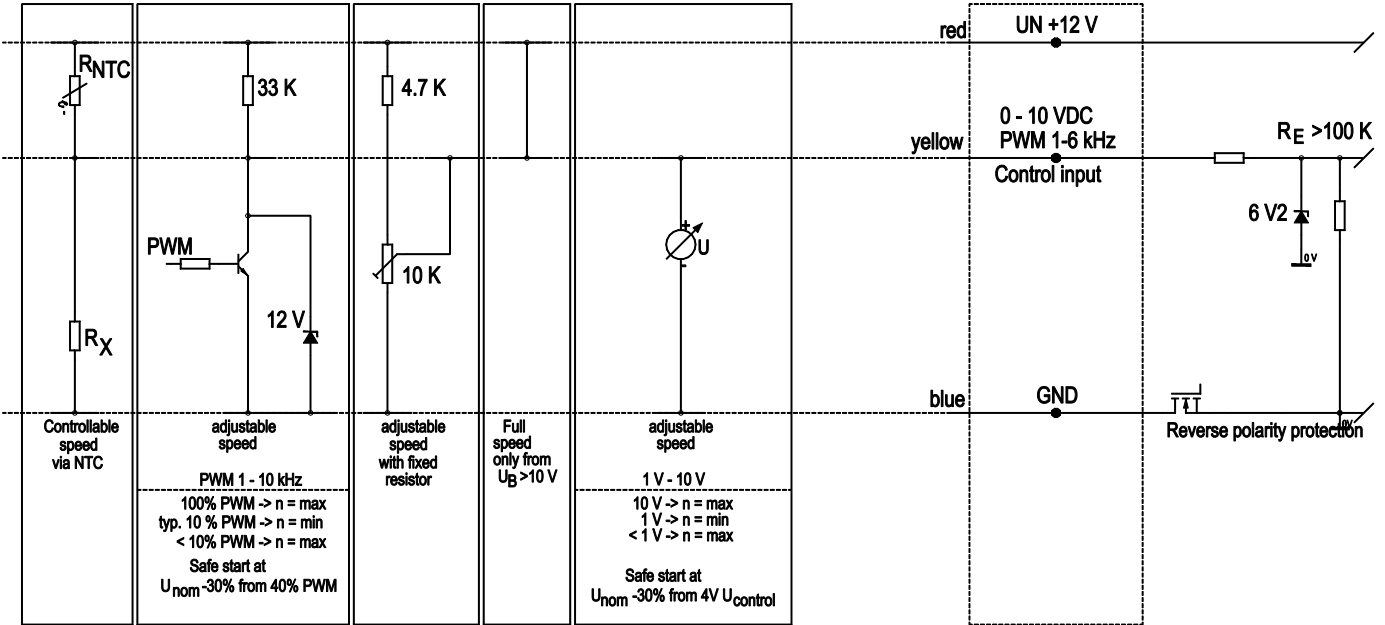


| | |
|---|---|
| 1 | Connection line AWG18, 1 x contact stud (AMP 2-34150-1), 2 x forked fitting (AMP 53241-2) crimped |
| 2 | Accessory part: Inlet nozzle 96358-2-4013, not included in the standard scope of delivery |
| 3 | Depth of screw max. 6 mm |

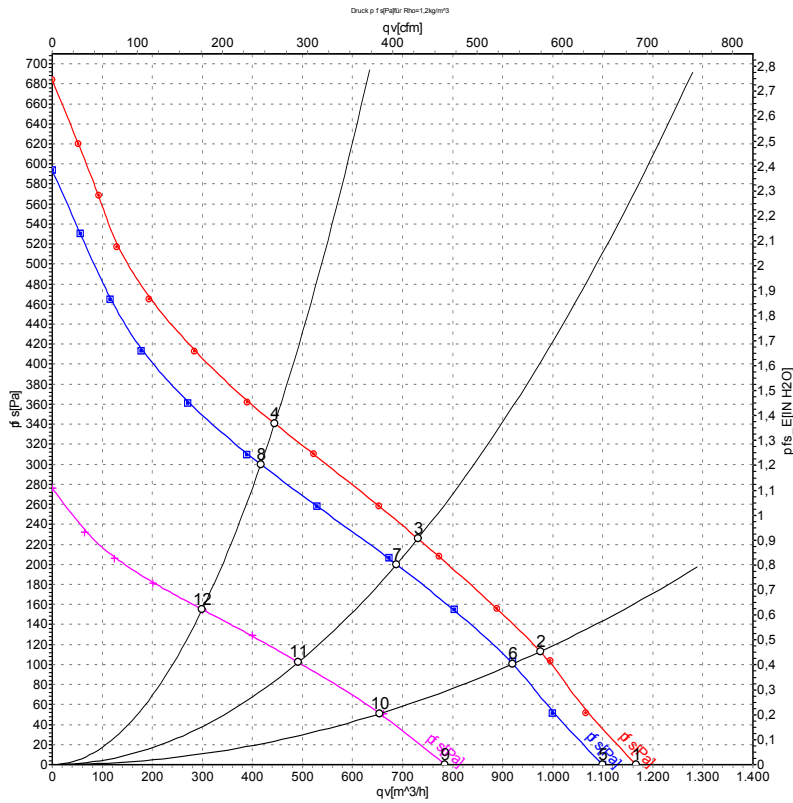
Connection screen

Customer circuit

Notes on various control possibilities and their applications



Charts: Air flow



Measurement: LU-58984-1
 Measurement: LU-58983-1
 Measurement: LU-58985-1

Air performance measured as per ISO 5801 Installation category A. For detailed information on the measuring set-up, please contact ebmpapst. Suction-side noise levels: L_{WA} measured as per ISO 13347 / L_{pA} measured with 1m distance to fan axis. The values given are valid under the measuring conditions mentioned above and may vary according to the actual installation situation. With any deviation from the standard set-up, the specific values have to be checked and reviewed with the unit installed.

Measured values

| | U | n | P _{ed} | I | qv | p _{fs} | qv | p _{fs} |
|----|----|-------------------|-----------------|------|-------------------|-----------------|-----|--------------------|
| | V | min ⁻¹ | W | A | m ³ /h | Pa | CFM | inH ₂ O |
| 1 | 16 | 2655 | 114 | 7.78 | 1165 | 0 | 685 | 0.00 |
| 2 | 16 | 2575 | 115 | 7.99 | 975 | 114 | 575 | 0.46 |
| 3 | 16 | 2485 | 119 | 8.33 | 730 | 226 | 430 | 0.91 |
| 4 | 16 | 2530 | 117 | 8.15 | 445 | 341 | 260 | 1.37 |
| 5 | 14 | 2500 | 95 | 7.20 | 1100 | 0 | 645 | 0.00 |
| 6 | 14 | 2420 | 98 | 7.58 | 920 | 100 | 540 | 0.40 |
| 7 | 14 | 2335 | 99 | 7.79 | 690 | 200 | 405 | 0.80 |
| 8 | 14 | 2390 | 98 | 7.64 | 415 | 300 | 245 | 1.20 |
| 9 | 8 | 1775 | 36 | 4.97 | 785 | 0 | 460 | 0.00 |
| 10 | 8 | 1730 | 38 | 5.22 | 655 | 53 | 385 | 0.21 |
| 11 | 8 | 1680 | 40 | 5.42 | 490 | 102 | 290 | 0.41 |
| 12 | 8 | 1715 | 39 | 5.30 | 300 | 155 | 175 | 0.62 |

U = Supply voltage · n = Speed (rpm) · P_{ed} = Power input · I = Current draw · qv = Air flow · p_{fs} = Pressure increase

