

R1G225-AF07-44

# EC centrifugal fan

backward curved



R1G225-AF07-44 ebmpapst Datasheet

[sales@fansco.com](mailto:sales@fansco.com)

[www.fansco.com](http://www.fansco.com)

Limited partnership · Headquarters Muldingen  
County court Stuttgart · HRA 590344

General partner: Elektrobau Muldingen GmbH · Headquarters Muldingen  
County court Stuttgart · HRB 590142

## Nominal data

Type	R1G225-AF07-44	
Motor	M1G074-BF	
Nominal voltage	VDC	24
Nominal voltage range	VDC	16 .. 28
Type of data definition		fa
Speed	min <sup>-1</sup>	2600
Power input	W	100
Current draw	A	4.6
Min. ambient temperature	°C	- 25
Max. ambient temperature	°C	+70

ml = max. load · me = max. efficiency · fa = running at free air · cs = customer specs · cu = customer unit  
Subject to alterations

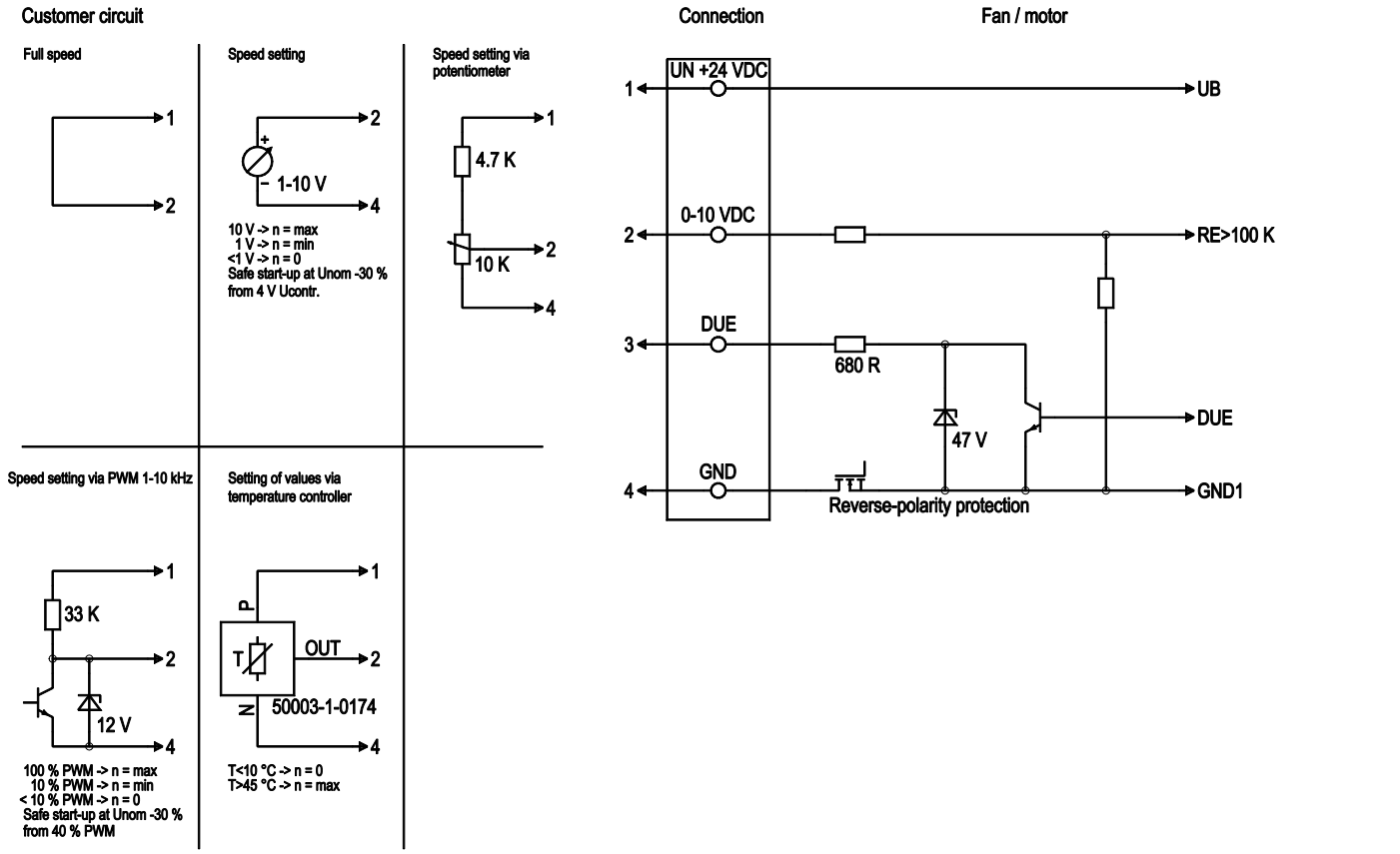


### Technical features

<b>Mass</b>	1.5 kg
<b>Size</b>	225 mm
<b>Surface of rotor</b>	Coated in black
<b>Material of electronics housing</b>	Die-cast aluminium
<b>Material of impeller</b>	Plastic PA66, fibreglass-reinforced
<b>Number of blades</b>	7
<b>Direction of rotation</b>	Clockwise, seen on rotor
<b>Type of protection</b>	IP 20
<b>Insulation class</b>	"B"
<b>Humidity class</b>	F2-1
<b>Max. permissible ambient motor temp. (transp./ storage)</b>	+80 °C
<b>Min. permissible ambient motor temp. (transp./storage)</b>	-40 °C
<b>Mounting position</b>	Any
<b>Condensate discharge holes</b>	Rotor-side
<b>Cooling bore / aperture</b>	Rotor-side
<b>Operation mode</b>	S1
<b>Motor bearing</b>	Ball bearing
<b>Technical features</b>	<ul style="list-style-type: none"> <li>- Control input 0-10 VDC / PWM</li> <li>- Tach output</li> <li>- Motor current limit</li> <li>- Soft start</li> </ul>
<b>EMC interference immunity</b>	Acc. to EN 61000-6-2 (industrial environment)
<b>EMC interference emission</b>	Acc. to EN 55022 (Class B)
<b>Electrical leads</b>	With plug
<b>Motor protection</b>	Reverse polarity and locked-rotor protection
<b>Cable exit</b>	Variable
<b>Approval</b>	UL 1004-1; CSA C22.2 Nr.77



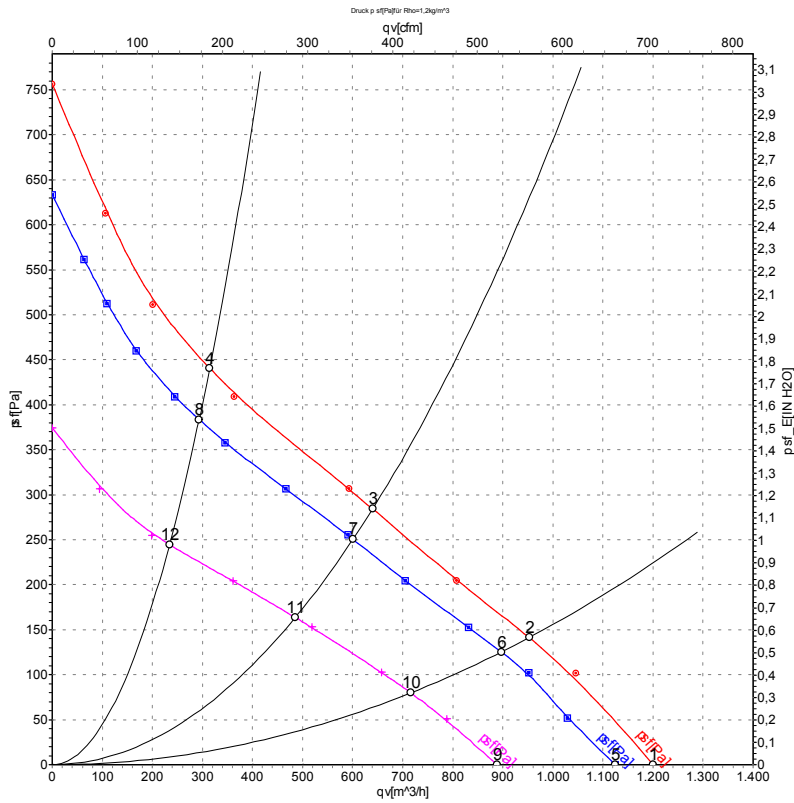
## Connection screen



Line	No.	Signal	Colour	Function / assignment
1	1	Un +24 VDC	red	Power supply 24 VDC, residual ripple 3.5 %
1	2	0-10 VDC	yellow	Control input Re > 100 K
1	3	DUE	white	Speed monitoring output, 3 pulses per rotation, Isink max = 10 mA
1	4	GND	blue	Reference mass



## Charts: Air flow



Measurement: LU-52036  
 Measurement: LU-52035  
 Measurement: LU-52037

Air performance measured as per ISO 5801 Installation category A. For detailed information on the measuring set-up, please contact ebmpapst. Suction-side noise levels: LwA measured as per ISO 13347 / LpA measured with 1m distance to fan axis. The values given are valid under the measuring conditions mentioned above and may vary according to the actual installation situation. With any deviation from the standard set-up, the specific values have to be checked and reviewed with the unit installed.

## Measured values

	U	n	P <sub>e</sub>	I	qv	p <sub>sf</sub>
	V	min <sup>-1</sup>	W	A	m <sup>3</sup> /h	Pa
1	28	2795	116	4.87	1200	0
2	28	2630	120	5.14	955	142
3	28	2560	122	5.26	640	284
4	28	2745	118	4.96	315	440
5	24	2600	100	4.60	1125	0
6	24	2480	100	4.76	895	125
7	24	2390	101	4.89	600	250
8	24	2570	98	4.63	295	385
9	16	2065	48	3.35	890	0
10	16	1980	52	3.60	715	80
11	16	1940	54	3.72	485	164
12	16	2050	49	3.42	235	244

