

R1G220-AB95-81

# EC centrifugal fan

backward curved, single inlet



R1G220-AB95-81 ebmpapst Datasheet

[sales@fansco.com](mailto:sales@fansco.com)

[www.fansco.com](http://www.fansco.com)

Limited partnership · Headquarters Muldingen  
County court Stuttgart · HRA 590344

General partner Elektrobau Muldingen GmbH · Headquarters Muldingen  
County court Stuttgart · HRB 590142

## Nominal data

Type	R1G220-AB95-81	
Motor	M1G074-BF	
Nominal voltage	VDC	48
Nominal voltage range	VDC	36 .. 57
Type of data definition		fa
Speed	min <sup>-1</sup>	2900
Power input	W	76
Current draw	A	2.2
Min. ambient temperature	°C	-25
Max. ambient temperature	°C	+70

ml = Max. load · me = Max. efficiency · fa = Running at free air · cs = Customer specs · cu = Customer unit  
Subject to alterations



R1G220-AB95-81

# EC centrifugal fan

backward curved, single inlet

## Technical features

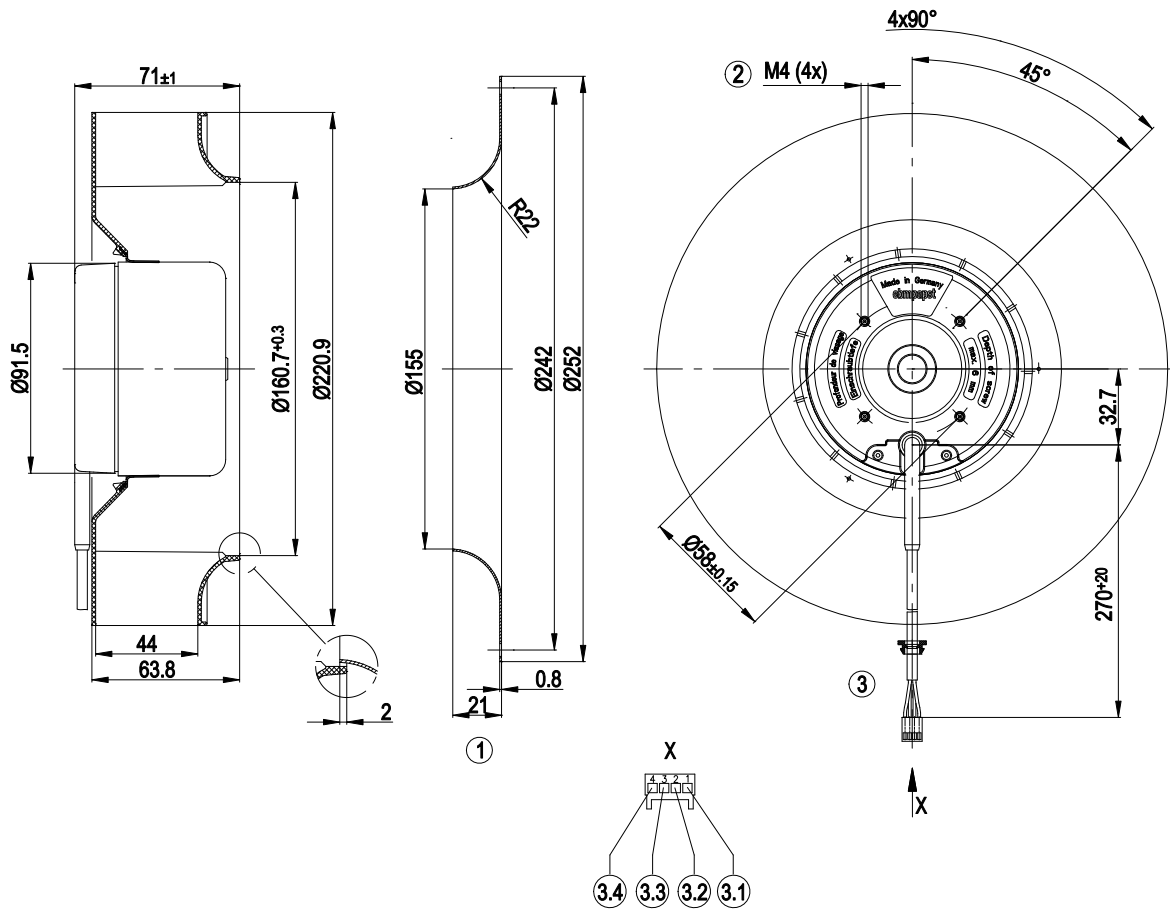
Mass	1.5 kg
Size	220 mm
Surface of rotor	Coated in black
Material of impeller	PA plastic
Number of blades	11
Direction of rotation	Clockwise, seen on rotor
Type of protection	IP 44
Insulation class	"B"
Humidity class	F4-1
Max. permissible ambient motor temp. (transp./ storage)	+80 °C
Min. permissible ambient motor temp. (transp./storage)	-40 °C
Mounting position	Any
Condensate discharge holes	None
Operation mode	S1
Motor bearing	Ball bearing
Technical features	<ul style="list-style-type: none"><li>- Tach output</li><li>- Motor current limit</li><li>- Soft start</li><li>- PWM control input</li></ul>
Electrical leads	With plug
Motor protection	Reverse polarity and locked-rotor protection
Cable exit	Variable
Product conforming to standard	EN 60950-1
Approval	UL 1004-1; CSA C22.2 Nr.77



# EC centrifugal fan

backward curved, single inlet

## Product drawing



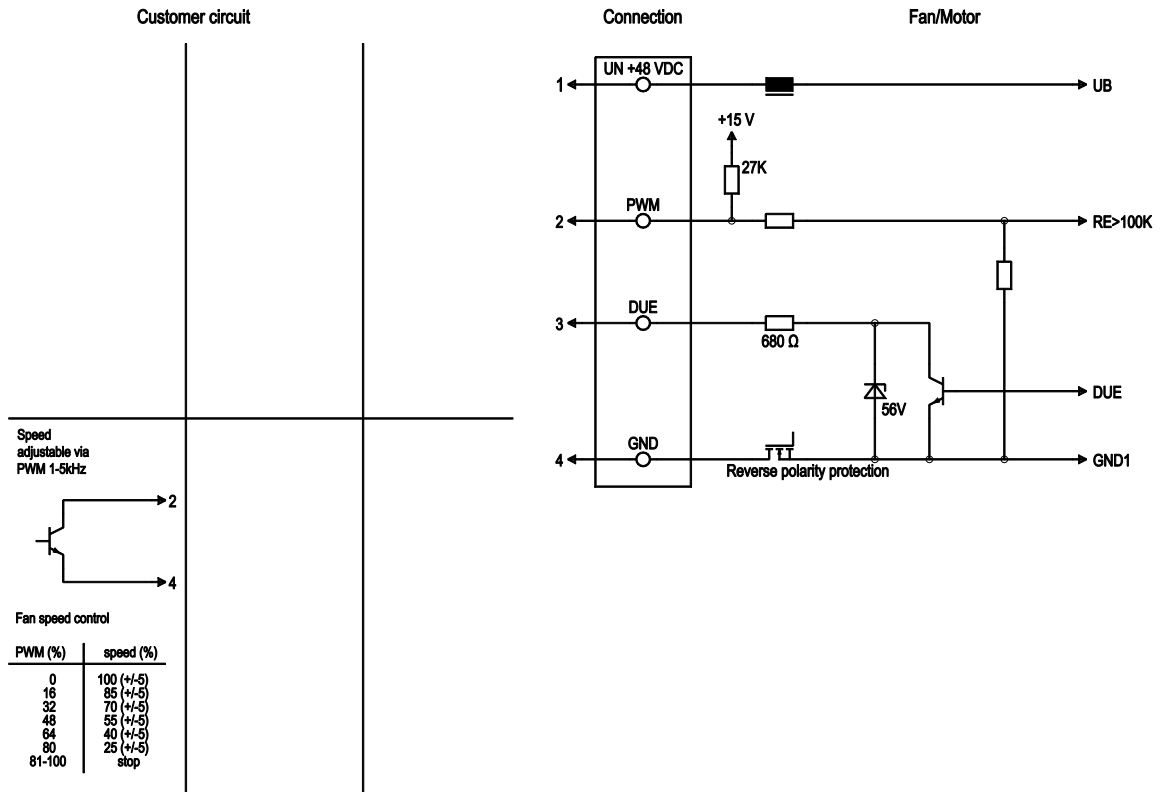
1	Accessory part: inlet nozzle 09609-2-4013 not included in scope of delivery
2	Depth of screw max. 6 mm
3	Connection line PVC AWG20 with connector housing 4-pole Molex 22-01-2045, 4x plug pin Molex 08-55-0110
3.1	UN +48 VDC (red)
3.2	GND (blue)
3.3	DUE (white)
3.4	PWM (black)



# EC centrifugal fan

backward curved, single inlet

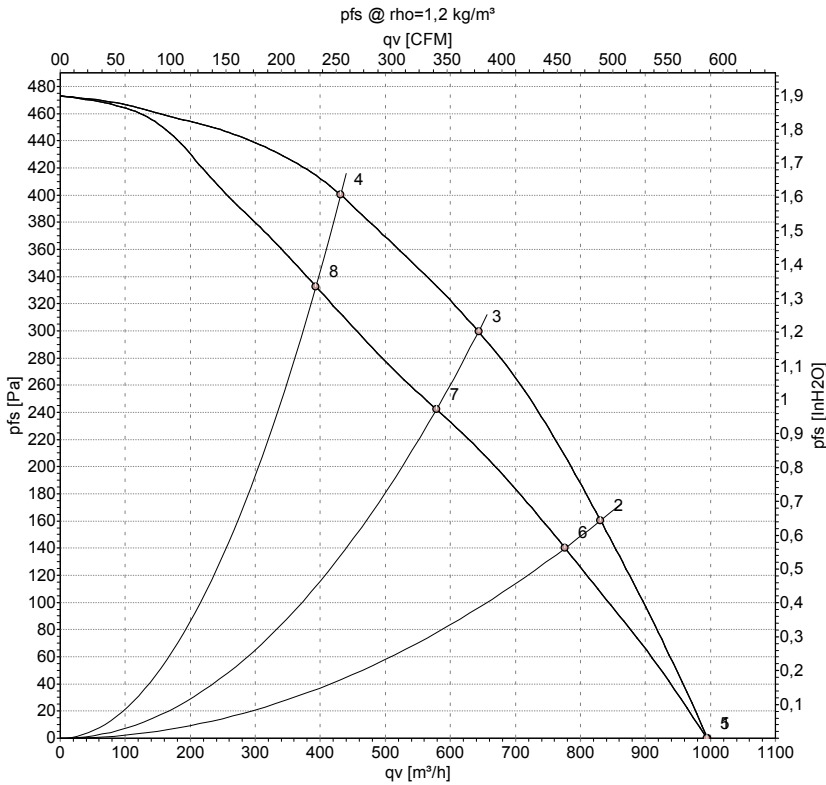
## Connection screen



Line	No.	Signal	Colour	Function / assignment
1	1	UN +48 VDC	red	Power supply 48 VDC, see type plate for voltage range, maximum ripple 3.5%
1	2	PWM	black	Control input PWM
1	3	DUE	white	Speed monitoring output, 2 pulses per revolution, Isink max = 10 mA
1	4	GND	blue	Reference ground



## Charts: Air flow



Measurement: LU-61361  
Measurement: LU-61363

Air performance measured as per ISO 5801 Installation category A. For detailed information on the measuring set-up, please contact ebm-papst. Suction-side noise levels: LwA measured as per ISO 13347 / LpA measured with 1m distance to fan axis. The values given are valid under the measuring conditions mentioned above and may vary according to the actual installation situation. With any deviation from the standard set-up, the specific values have to be checked and reviewed with the unit installed.

## Measured values

	U	n	P <sub>ed</sub>	I	qv	p <sub>fs</sub>
	V	min <sup>-1</sup>	W	A	m <sup>3</sup> /h	Pa
1	48-57	2900	76	2.2*	995	0
2	48-57	2940	102	2.8*	830	160
3	48-57	2940	117	3.1*	645	300
4	48-57	2930	114	3.1*	430	400
5	36	2900	76	2.31	995	0
6	36	2760	84	2.66	775	140
7	36	2655	86	2.75	580	242
8	36	2680	86	2.73	395	333

U = Supply voltage · n = Speed · P<sub>ed</sub> = Power input · I = Current draw · \* = Current measured at rated voltage · qv = Air flow · p<sub>fs</sub> = Pressure increase

