

EC centrifugal fan

backward curved, single inlet

R1G220-AB73-B6 ebmpapst Datasheet

sales@fansco.com

www.fansco.com

Limited partnership · Headquarters Mulfingen
County court Stuttgart · HRA 590344General partner: Elektrobau Mulfingen GmbH · Headquarters Mulfingen
County court Stuttgart · HRB 590142

Nominal data

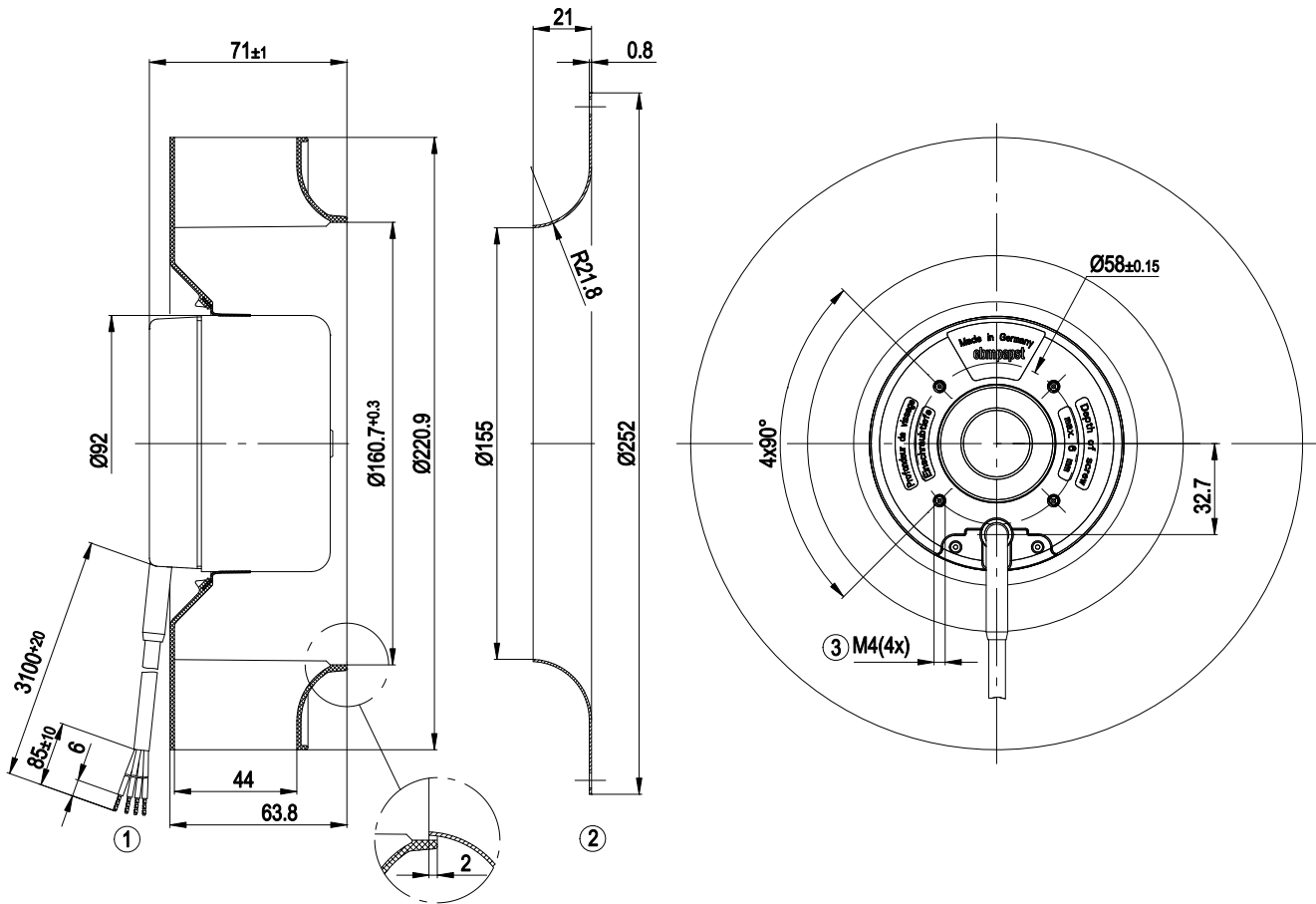
Type	R1G220-AB73-B6	
Motor	M1G074-BF	
Nominal voltage	VDC	48
Nominal voltage range	VDC	36 .. 57
Type of data definition		fa
Speed	min ⁻¹	3100
Power input	W	100
Current draw	A	2.4
Min. ambient temperature	°C	- 25
Max. ambient temperature	°C	+60

ml = max. load · me = max. efficiency · fa = running at free air · cs = customer specs · cu = customer unit
Subject to alterations

Technical features

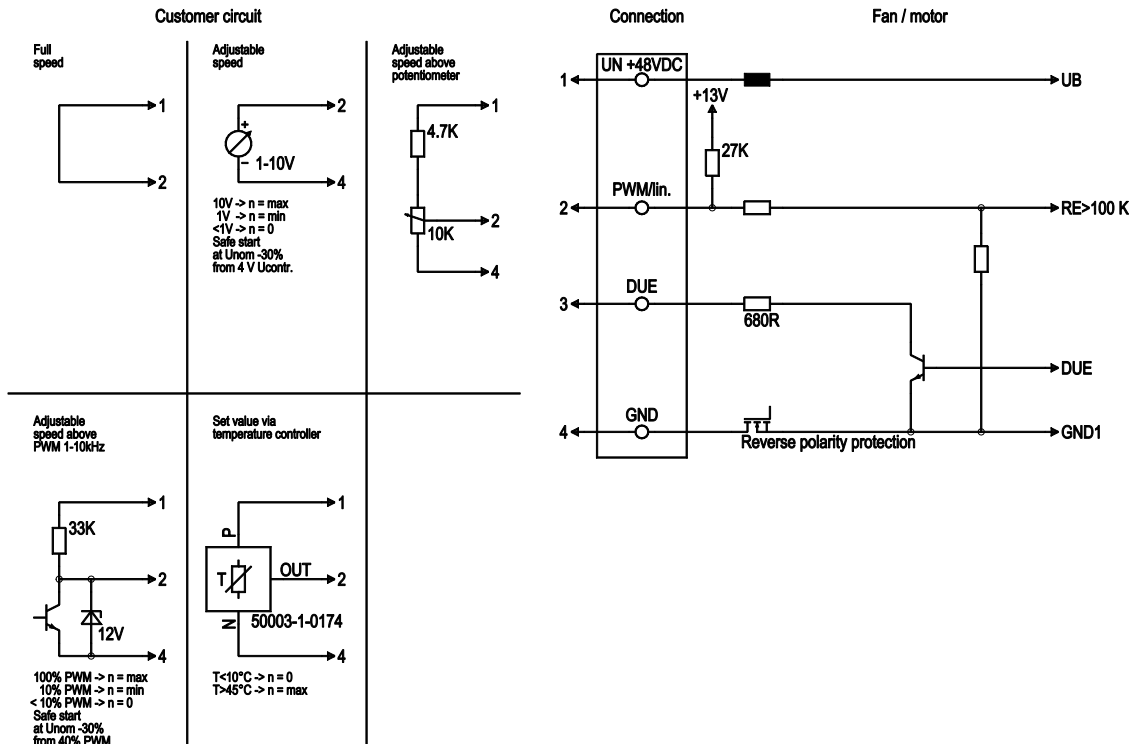
Mass	1.54 kg
Size	220 mm
Surface of rotor	Coated in black
Material of impeller	PA plastic 6.6, fibreglass-reinforced
Number of blades	11
Stability	Salt fog resistant in accordance with TELCORDIA GR-487-CORE, release No. 2, March 2000
Direction of rotation	Clockwise, seen on rotor
Type of protection	IP 44
Insulation class	"B"
Humidity class	F4-2
Max. permissible ambient motor temp. (transp./ storage)	+80 °C
Min. permissible ambient motor temp. (transp./storage)	-40 °C
Mounting position	Any
Condensate discharge holes	None
Operation mode	S1
Motor bearing	Ball bearing
Technical features	<ul style="list-style-type: none"> - Tach output - Motor current limit - Soft start - Control input 0-10 VDC / PWM - Cable break detection with control line
EMC interference immunity	Acc. to EN 61000-6-2 (industrial environment)
EMC interference emission	Acc. to EN 55022 (Class B)
Motor protection	Reverse polarity and locked-rotor protection
Cable exit	Variable
Product conforming to standard	EN 60950-1
Approval	CSA C22.2 Nr.77; UL 1004-1; CCC

Product drawing



1	Connection line AWG20, 4 x brass lead tips crimped
2	Accessory part: Inlet nozzle 09609-2-4013, not included in the standard scope of delivery
3	Depth of screw max. 6 mm

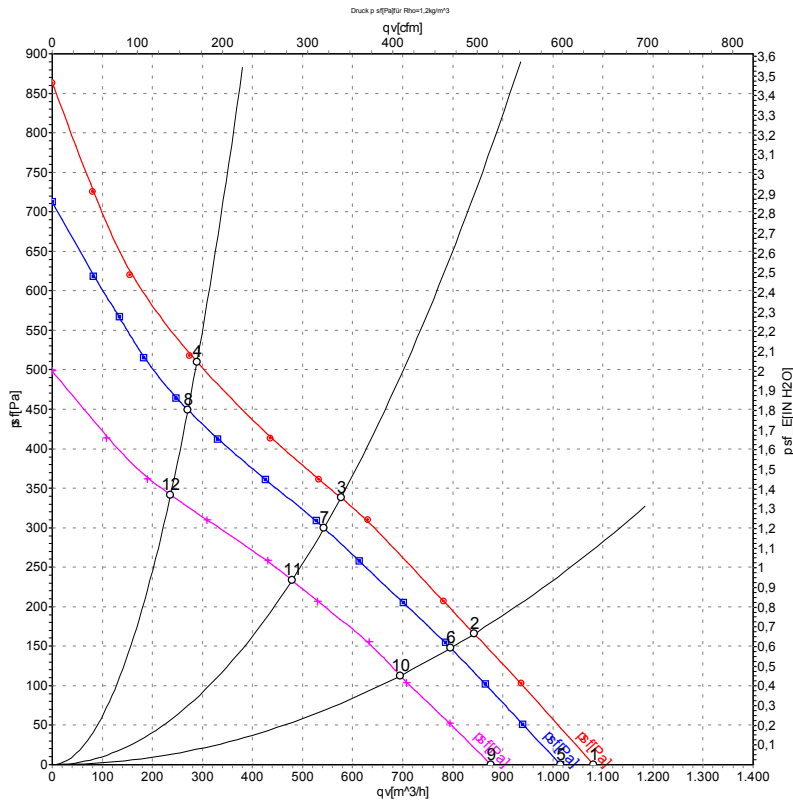
Connection screen



PS.: In event of cable break in control line n = 100%

Line	No.	Signal	Colour	Function / assignment
1	1	Un +48 VDC	red	Power supply 48 VDC, residual ripple 3.5 %
1	2	PWM/lin	yellow	PWM / lin. control input, 0-10 V
1	3	DUE	white	Speed monitoring output, 2 pulses per revolution, Isink max = 10 mA
1	4	GND	blue	Reference mass

Charts: Air flow



Measurement: LU-47146
 Measurement: LU-47145
 Measurement: LU-47147

Air performance measured as per ISO 5801 Installation category A. For detailed information on the measuring set-up, please contact ebm-papst. Suction-side noise levels: LwA measured as per ISO 13347 / LpA measured with 1m distance to fan axis. The values given are valid under the measuring conditions mentioned above and may vary according to the actual installation situation. With any deviation from the standard set-up, the specific values have to be checked and reviewed with the unit installed.

Measured values

	U	n	P _e	I	qv	p _{sf}
	V	min ⁻¹	W	A	m ³ /h	Pa
1	56	3305	118	2.54	1080	0
2	56	3095	122	2.72	845	166
3	56	2975	126	2.85	575	338
4	56	3155	122	2.68	290	508
5	48	3100	100	2.40	1015	0
6	48	2915	102	2.51	795	150
7	48	2805	104	2.59	545	300
8	48	2980	101	2.45	270	450
9	36	2665	64	1.96	875	0
10	36	2545	68	2.10	695	112
11	36	2480	71	2.20	480	233
12	36	2600	66	2.03	235	341

