

EC centrifugal fan

backward curved, single inlet

R1G190-AC37-23 ebmpapst Datasheet

sales@fansco.com

www.fansco.com

Limited partnership · Headquarters Mulfingen
 County court Stuttgart · HRA 590344

General partner: Elektrobau Mulfingen GmbH · Headquarters Mulfingen
 County court Stuttgart · HRB 590142

Nominal data

Type	R1G190-AC37-23	
Motor	M1G074-BF	
Nominal voltage	VDC	24
Nominal voltage range	VDC	16 .. 28
Type of data definition		fa
State		prelim.
Speed	min ⁻¹	3250
Power input	W	80
Current draw	A	3.7
Min. ambient temperature	°C	- 25
Max. ambient temperature	°C	60

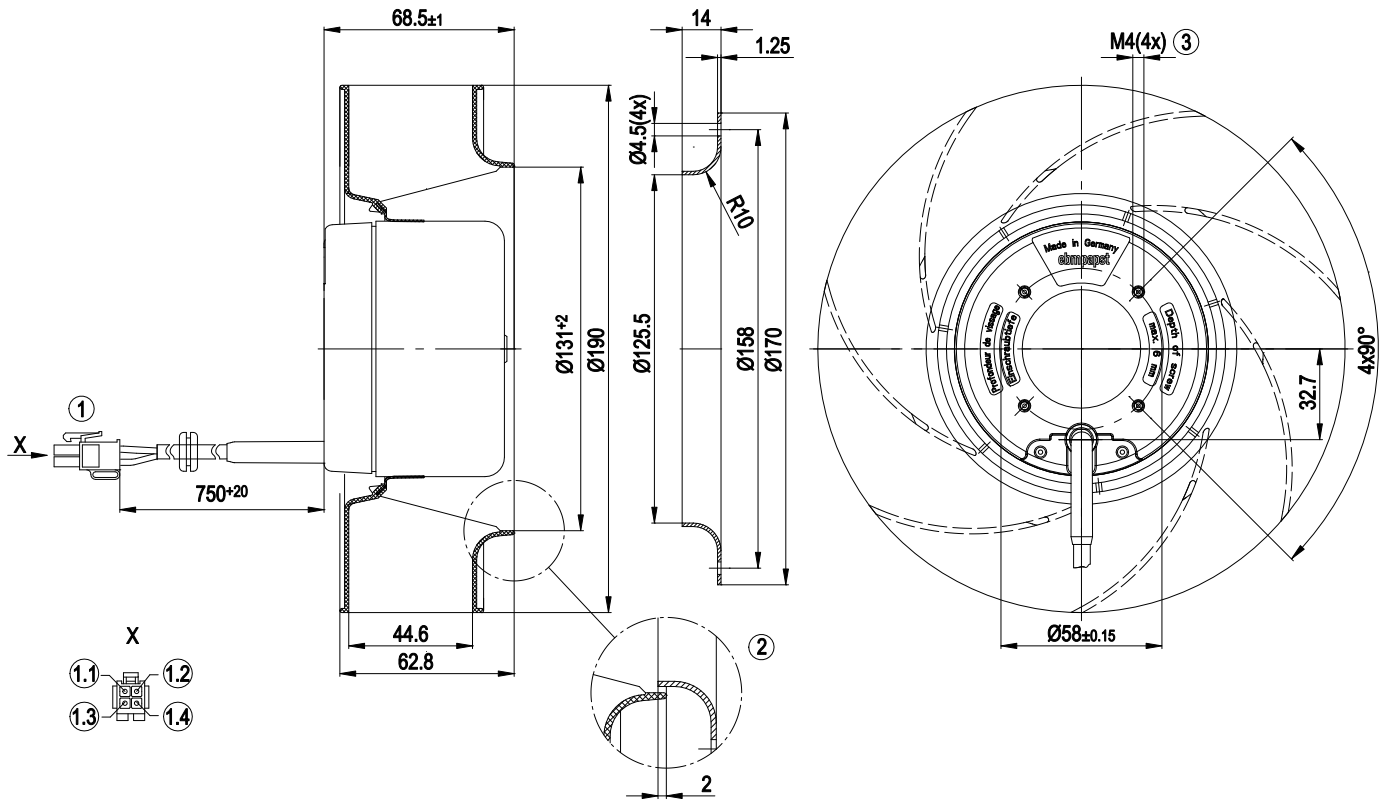
ml = max. load · me = max. efficiency · fa = running at free air · cs = customer specs · cu = customer unit
 Subject to alterations



Technical features

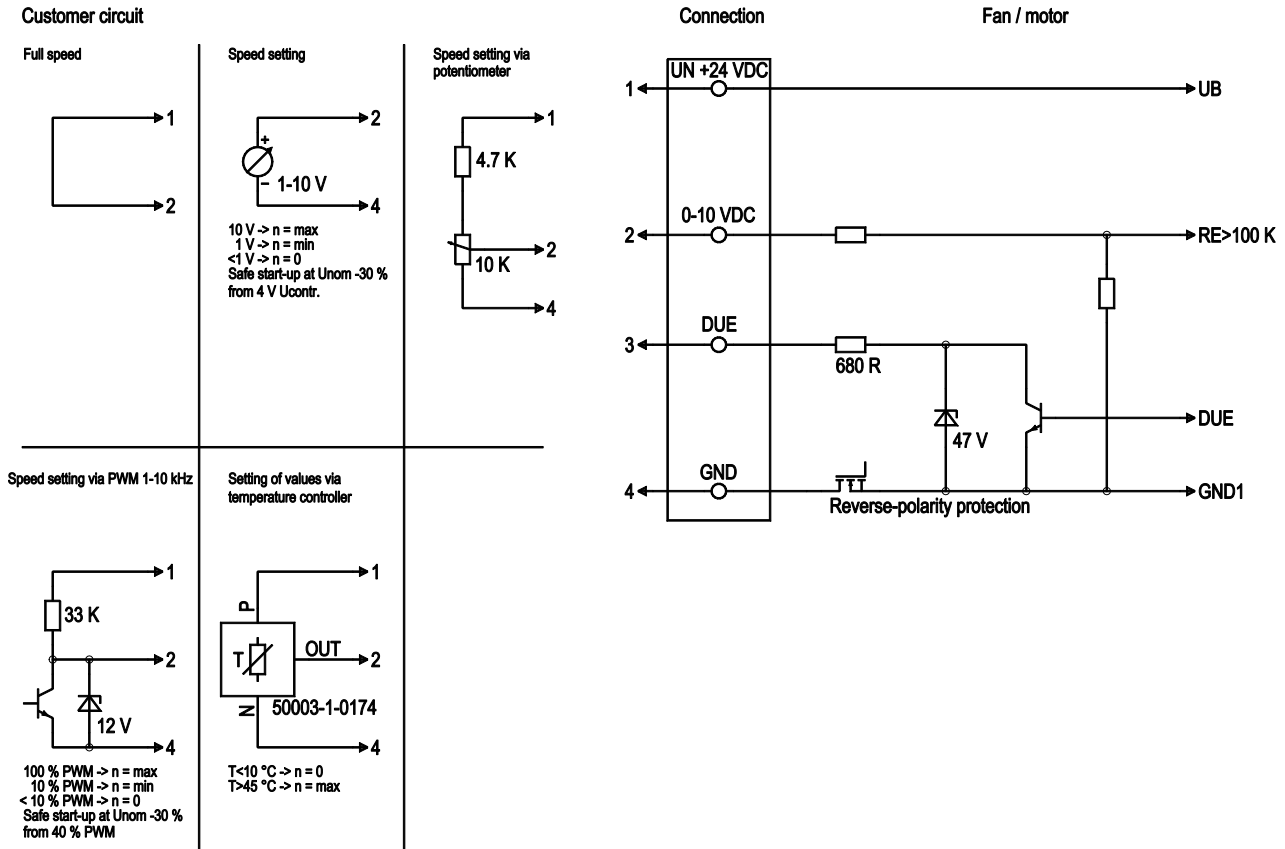
Mass	1.43 kg
Size	190 mm
Surface of rotor	Coated in black
Material of impeller	Plastic PA66, fibreglass-reinforced, round sheet-metal plate coated in black
Number of blades	7
Stability	Salt fog resistant in accordance with TELCORDIA GR-487-CORE, release No. 2, March 2000
Direction of rotation	Clockwise, seen on rotor
Type of protection	IP 44
Insulation class	"B"
Humidity class	F4-2
Max. permissible ambient motor temp. (transp./ storage)	+80 °C
Min. permissible ambient motor temp. (transp./storage)	-40 °C
Mounting position	Any
Condensate discharge holes	None
Operation mode	S1
Motor bearing	Ball bearing
Technical features	- Control input 0-10 VDC / PWM - Tach output
EMC interference immunity	Acc. to EN 61000-6-2
EMC interference emission	Acc. to EN 55022 (Class B)
Electrical leads	With plug
Motor protection	Reverse polarity and locked-rotor protection
Cable exit	Variable
Product conforming to standard	EN 60950-1
Approval	UL 1004-1; CSA C22.2 Nr.77

Product drawing



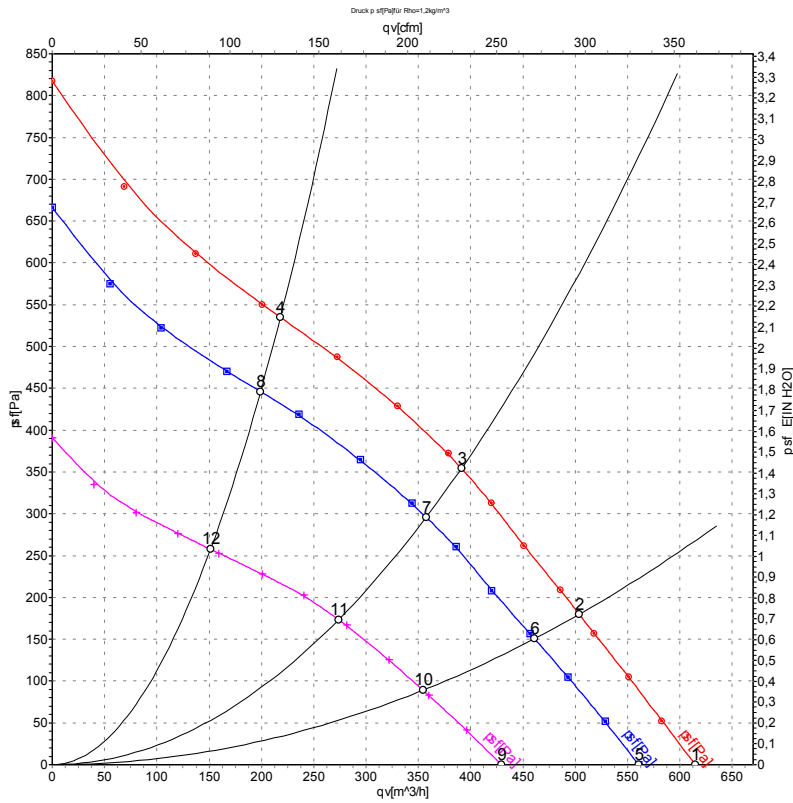
1	Connector housing AMP No. 794188-1, connection line AWG18, 4 x plug pin AMP No. 794223-1 crimped
1.1	(+) red
1.2	(-) blue
1.3	(S) white
1.4	Yellow control input
2	Accessory part: Inlet nozzle 09576-2-4013, not included in the standard scope of delivery
3	Depth of screw max. 6 mm

Connection screen



Line	No.	Signal	Colour	Function / assignment
1	1	Un +24 VDC	red	Power supply 24 VDC, residual ripple 3.5 %
1	2	0-10 VDC	yellow	Control input Re > 100 K
1	3	DUE	white	Speed monitoring output, 3 pulses per rotation, Isink max = 10 mA
1	4	GND	blue	Reference mass

Charts: Air flow



Measurement: LU-75809
 Measurement: LU-75808
 Measurement: LU-75807

Air performance measured as per ISO 5801 Installation category A. For detailed information on the measuring set-up, please contact ebm-papst. Suction-side noise levels: L_{WA} measured as per ISO 13347 / L_{pA} measured with 1m distance to fan axis. The values given are valid under the measuring conditions mentioned above and may vary according to the actual installation situation. With any deviation from the standard set-up, the specific values have to be checked and reviewed with the unit installed.

Measured values

	U	n	P _e	I	qv	p _{sf}
	V	min ⁻¹	W	A	m ³ /h	Pa
1	28	3630	103	4.14	615	0
2	28	3540	107	4.30	505	180
3	28	3600	104	4.19	390	354
4	28	3705	100	4.01	220	535
5	24	3250	80	3.70	560	0
6	24	3230	82	3.82	460	150
7	24	3290	80	3.71	360	300
8	24	3380	76	3.53	200	450
9	16	2515	38	2.72	430	0
10	16	2470	39	2.80	355	89
11	16	2515	38	2.70	275	174
12	16	2560	36	2.61	150	258

