

Centrifugal Fan



ebm-papst Ventilator (Shanghai) Co.Ltd.

Phone: +86(0)21-50460183

R1G175-RC02-11/A01 ebmpapst Datasheet
sales@fansco.com
www.fansco.com

Nominal Data

Type R1G175-RC02-11/A01

Nominal voltage	[VDC]	48
Nominal voltage range	[VDC]	36~72
Frequency	[Hz]	-
Type of data definition		rfa
Speed	[min ⁻¹]	3100
Power input	[W]	39
Current Draw	[A]	0.8
Max. Back Pressure	[Pa]	345
Max. air Volume	[CFM]	310
Min. ambient temperature	[°C]	-25
Max. ambient temperature	[°C]	70

rfa: Running at free air

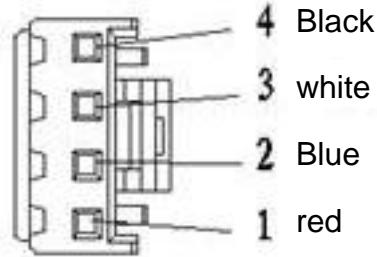
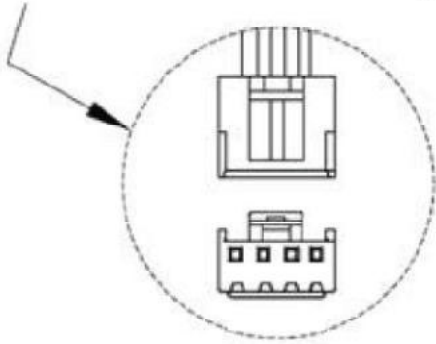
Technical Features

Size	175*175*69
Operation Mode	Continuous operation
Direction of Rotation	Clockwise (see the rotor side)
Mounting Position	Any
EMC Interference Emission	EM55022 Class B
EMC Interference Immunity	EM55022 Class B
Working Humidity	5~95%
Direction of air flow	Centrifugal
Insulation Class	'B'
Cable Exit	Pin same as TE 1123721-1, Housing AMP 1-1123722-4
Condensate Discharge Holes	None
Bearing Type	Ball Bearing
Rotor Weight	0.775Kg
Material of Impeller	Plastic PA66, fiberglass-reinforced
Cable Length and Height	L:600+15mm H:<3mm
Motor Protection	Reverse polarity and locked-rotor protection
Product Confirming to Standard	EN 60950-1
Surface of Rotor	Cataphoric
Number of Blades	7
IP class	IP44
Technical Features	-PWM -Tach output
Max. Motor temp.(transp./storage)	+80°C
Min. Motor temp.(transp./storage)	-40°C
Approval	
Start Voltage	36V
L10 at 40°C	70000h
Protection for Rotor Blocked	OK
Protection for Over Current	OK
Soft Starting	OK
Restart Automatically	OK
Leakage Current	600VAC 1sec<5mA
Amounting hole	Φ 58, M4*7.5mm

Centrifugal Fan

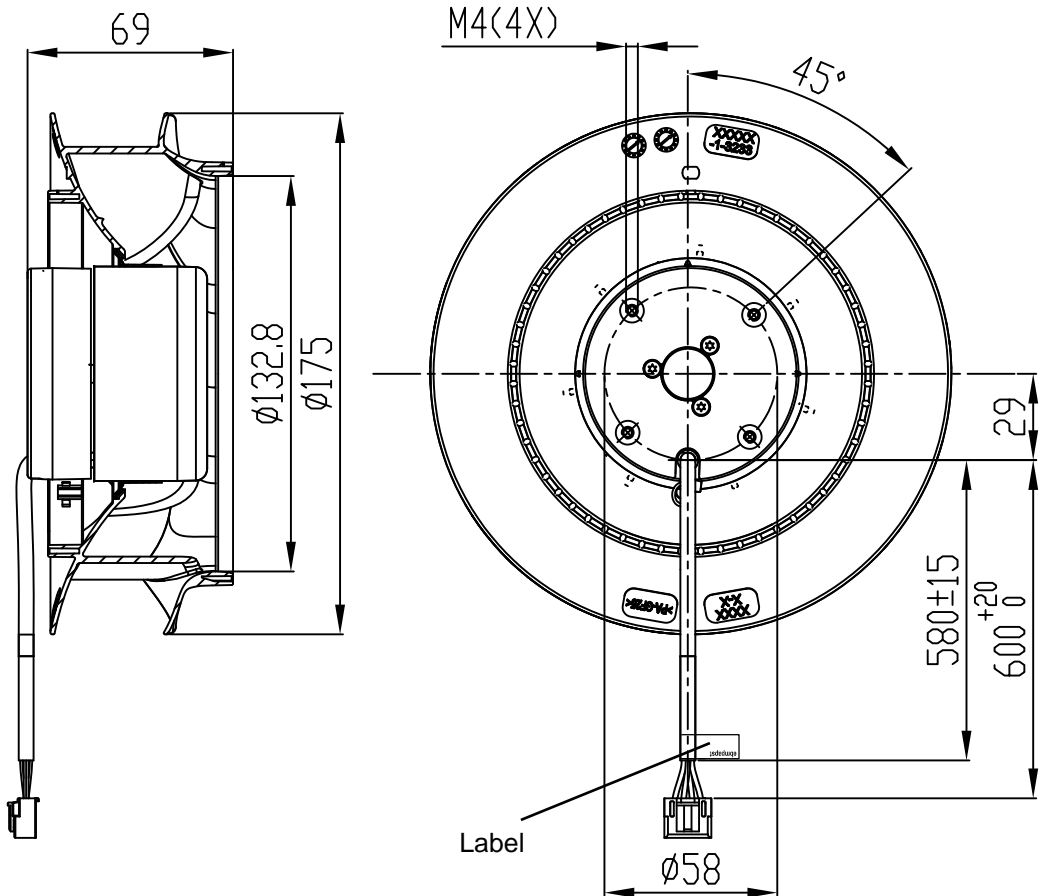
Drawing provide lately

Pin same as TE 1123721-1, Housing AMP 1-1123722-4\



- 4 Black
- 3 white
- 2 Blue
- 1 red

- Black: -
- White: tach output
- Blue: PWM
- Red: +



Centrifugal Fan

PWM VS Speed

PWM 5V@100Hz	Speed Req	36V	48V	53.5V	72V
		Speed/Rpm	Speed/Rpm	Speed/Rpm	Speed/Rpm
0%	0	0	0	0	0
<10%	0	0	0	0	0
10%	500 ± 250	567	553	573	634
20%	500 ± 250	567	553	573	634
25%	660 ± 250	669	658	656	634
35%	990 ± 250	992	973	1002	996
50%	1475 ± 250	1511	1521	1491	1494
65%	1960 ± 250	2062	2013	2000	2025
75%	2290 ± 10%	2364	2348	2368	2325
90%	2775 ± 10%	2524	2784	2826	2776
100%	3100 ± 10%	2524	3100	3115	3103

Air performance

IDNO	Type	U [V]	f [Hz]	C [inF]	Uc [V]	PWM [%]	Layout	inst. cat.	Line	Remark
1430	R1G175RAAXXX-33A	48			19			A		

