

EC centrifugal fan

forward curved, single inlet

R1G160-AW19-06 ebmpapst Datasheet

sales@fansco.com

www.fansco.com

Limited partnership · Headquarters Muldingen
County court Stuttgart · HRA 590344

General partner Elektrobau Muldingen GmbH · Headquarters Muldingen
County court Stuttgart · HRB 590142

Nominal data

Type	R1G160-AW19-06	
Motor	M1G055-BI	
Phase		1~
Nominal voltage	VAC	230
Frequency	Hz	50/60
Type of data definition		ml
Speed	min ⁻¹	1300
Power input	W	30
Current draw	A	0.25
Min. back pressure	Pa	90
Min. ambient temperature	°C	-20
Max. ambient temperature	°C	60

ml = max. load · me = max. efficiency · fa = running at free air · cs = customer specs · cu = customer unit
Subject to alterations



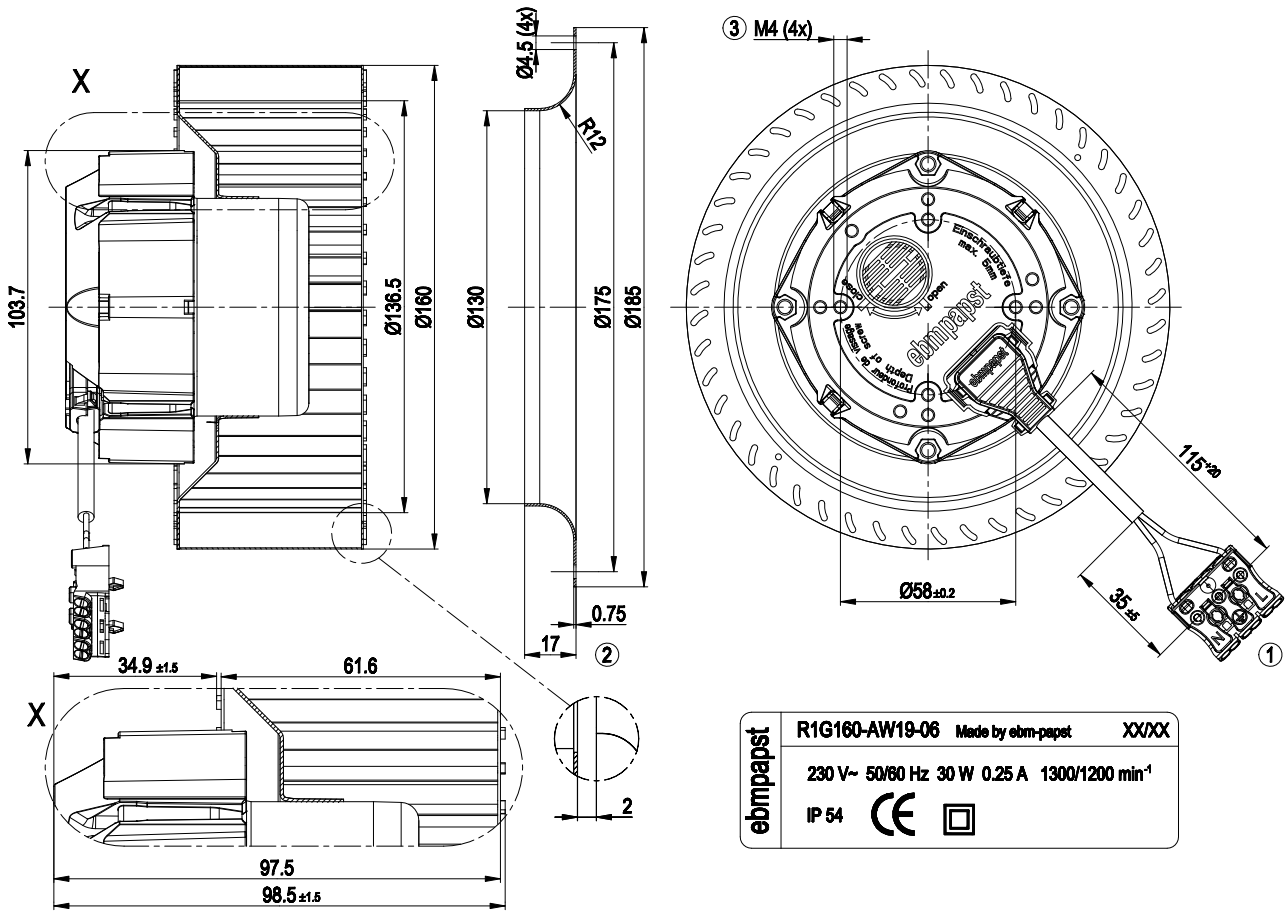
Technical features

Mass	1.2 kg
Size	160 mm
Material of electronics housing	Die-cast aluminium
Material of impeller	Sheet steel, galvanised
Direction of rotation	Clockwise, seen on rotor
Type of protection	IP 54
Insulation class	"B"
Humidity class	F3-1
Max. permissible ambient motor temp. (transp./ storage)	+ 80 °C
Min. permissible ambient motor temp. (transp./storage)	- 40 °C
Mounting position	Any
Condensate discharge holes	None
Operation mode	S1
Motor bearing	Ball bearing
Technical features	- Soft start - Over-temperature protected motor
EMC interference immunity	Acc. to EN 61000-6-2 (industrial environment)
EMC harmonics	Acc. to EN 61000-3-2/3
EMC interference emission	Acc. to EN 61000-6-3 (household environment)
Motor protection	Thermal cut-out, manual reset
Cable exit	Lateral
Protection class	II
Product conforming to standard	EN 60335-1; CE

EC centrifugal fan

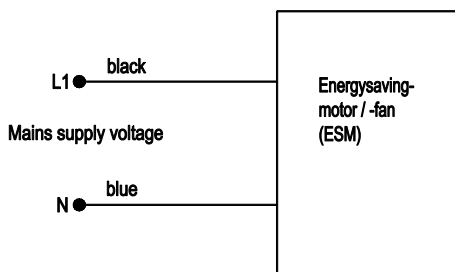
forward curved, single inlet

Product drawing

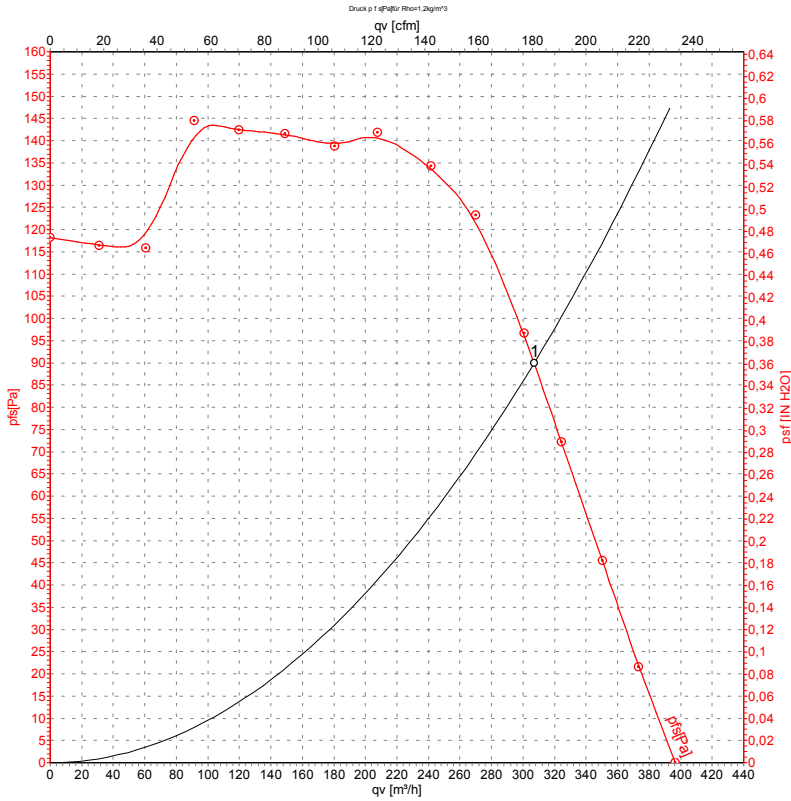


- 1 Connection line 2X AWG 20, with terminal strip Tekox No. 3103 A
- 2 Accessory part: Inlet nozzle 09588-2-4013, not included in the standard scope of delivery
- 3 Depth of screw max. 5 mm

Connection screen



Charts: Air flow 50 Hz



Measurement: LU-136566

Air performance measured as per ISO 5801 Installation category A. For detailed information on the measuring set-up, please contact ebm-papst. Suction-side noise levels: L_{wA} measured as per ISO 13347 / L_{pA} measured with 1m distance to fan axis. The values given are valid under the measuring conditions mentioned above and may vary according to the actual installation situation. With any deviation from the standard set-up, the specific values have to be checked and reviewed with the unit installed.

Measured values

	U	f	n	P _{ed}	I	qv	p _{fs}
	V	Hz	min ⁻¹	W	A	m ³ /h	Pa
1	230	50	1300	30	0.25	305	90

U = Supply voltage · f = Frequency · n = Speed · P_{ed} = Power input · I = Current draw · qv = Air flow · p_{fs} = Pressure increase

