

EC centrifugal fan

forward curved, single inlet

R1G160-AW17-14 ebmpapst Datasheet

sales@fansco.com

www.fansco.com

Limited partnership · Headquarters Muldingen
County court Stuttgart · HRA 590344

General partner Elektrobau Muldingen GmbH · Headquarters Muldingen
County court Stuttgart · HRB 590142

Nominal data

Type	R1G160-AW17-14		
Motor	M1G055-BI		
Phase		1~	1~
Nominal voltage	VAC	230	230
Frequency	Hz	50/60	50/60
Type of data definition		ml	ml
Speed (rpm)	min ⁻¹	1270	1170
Power input	W	35	-
Current draw	A	0.3	
Min. back pressure	Pa	72	
Min. ambient temperature	°C	-20	-20
Max. ambient temperature	°C	40	50

ml = Max. load · me = Max. efficiency · fa = Running at free air · cs = Customer specs · cu = Customer unit
Subject to alterations



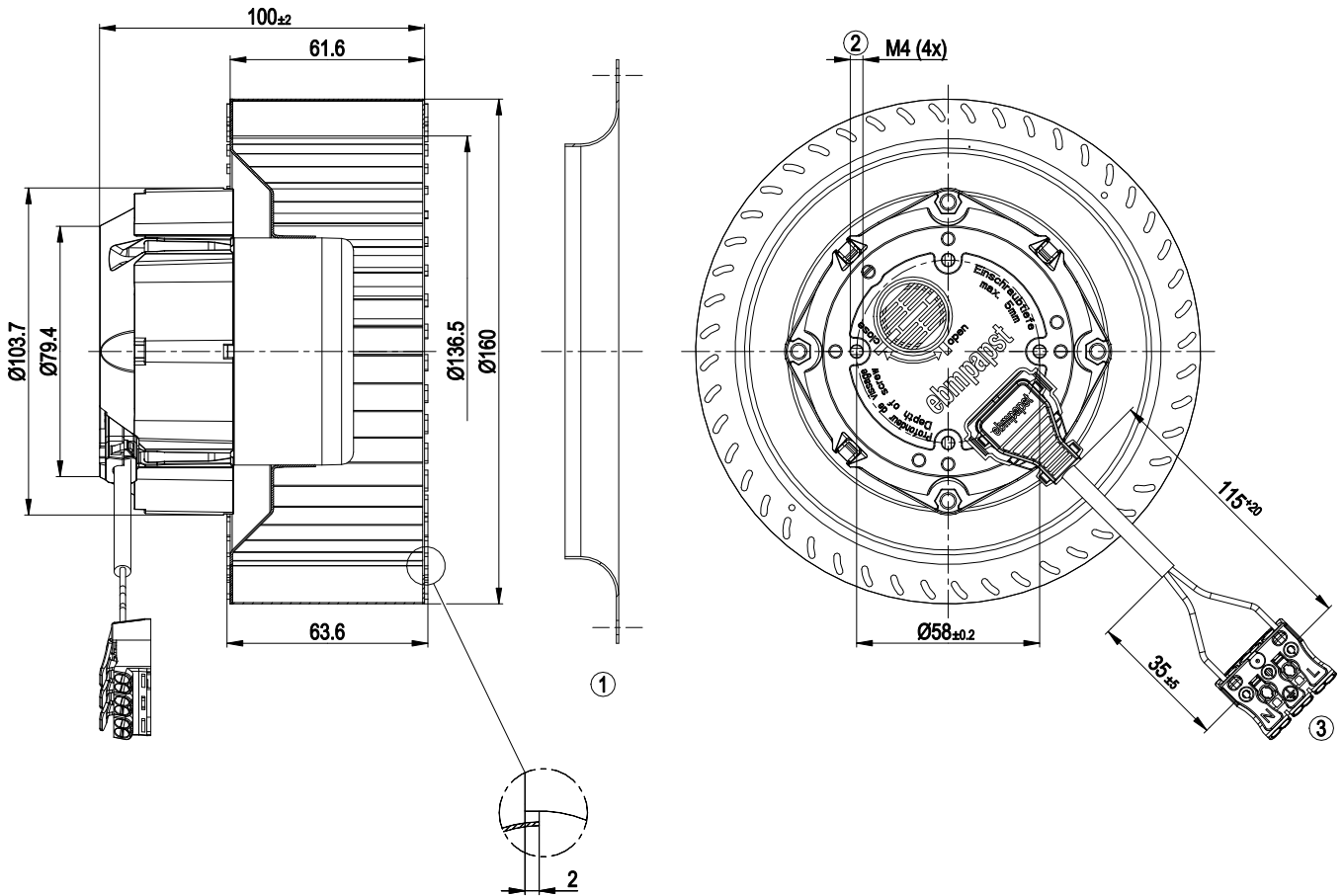
Technical features

Mass	1.2 kg
Size	160 mm
Surface of rotor	Thick layer passivated
Material of electronics housing	Die-cast aluminium
Material of impeller	Sheet steel, galvanised
Direction of rotation	Clockwise, seen on rotor
Type of protection	IP 54
Insulation class	"B"
Humidity (F)/environmental protection class (H)	H1
Max. permissible ambient motor temp. (transp./ storage)	+ 80 °C
Min. permissible ambient motor temp. (transp./storage)	- 40 °C
Mounting position	Any
Condensate discharge holes	Rotor-side
Operation mode	S1
Motor bearing	Ball bearing
Electrical leads	With plug
Motor protection	Temperature limiter manual reset
Cable exit	Lateral
Protection class	II
Product conforming to standard	EN 60335-1; CE
Approval	VDE

EC centrifugal fan

forward curved, single inlet

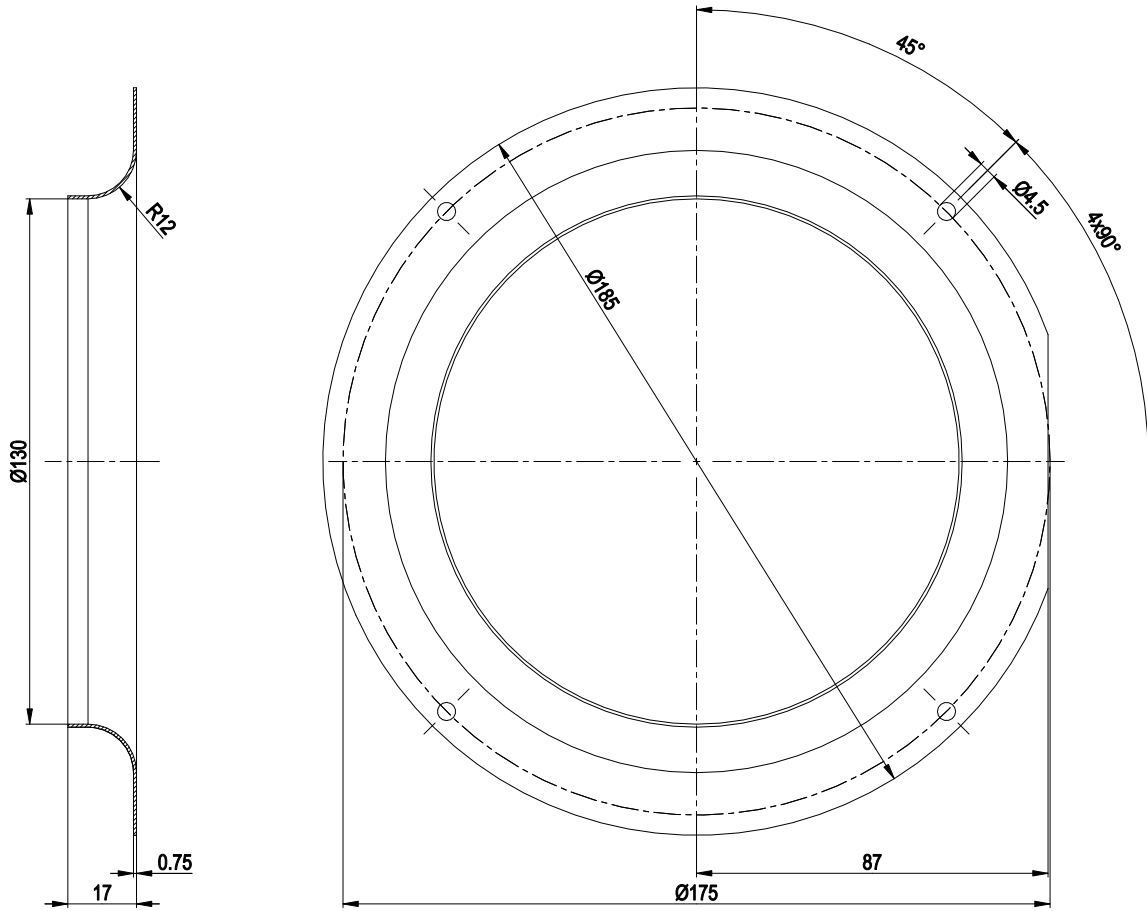
Product drawing



1	Accessory part: Inlet nozzle 09588-2-4013 not included in scope of delivery
2	Thread reach max. 5 mm
3	Connection line AWG20 with terminal strip Adels-Contact 040G13B1

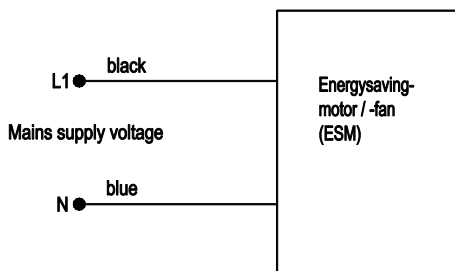


Accessory part

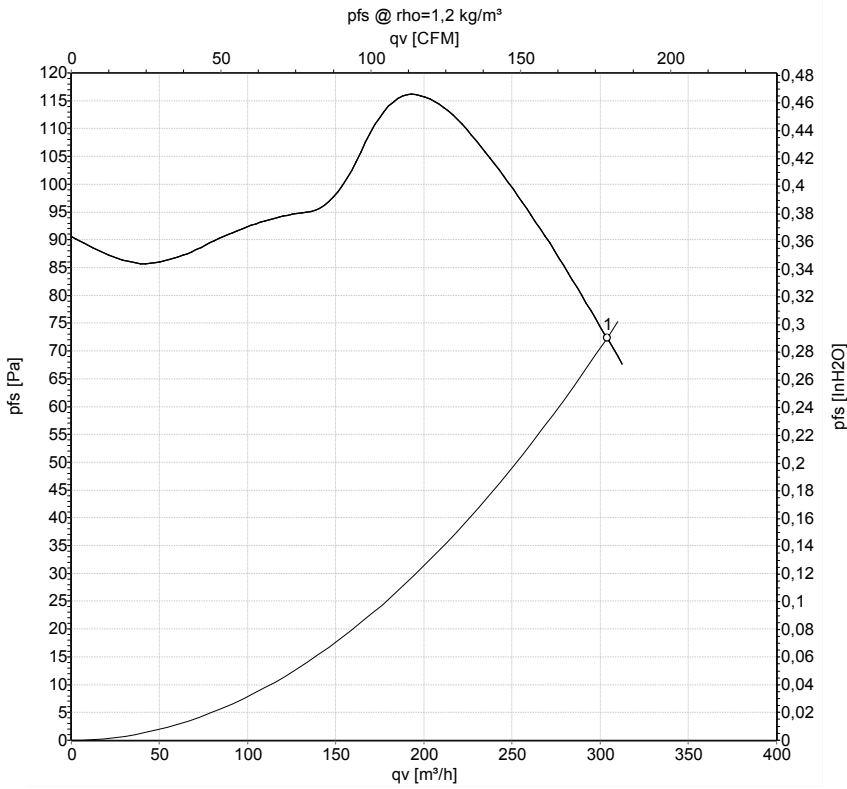


Accessory part: inlet nozzle 09588-2-4013 not included in scope of delivery

Connection screen



Charts: Air flow 50 Hz



Measured values

	U	f	n	P _{ed}	I	qv	p _{fs}	qv	p _{fs}
	V	Hz	min ⁻¹	W	A	m ³ /h	Pa	CFM	inH2O
1	230	50	1270	35	0.30	305	72	180	0.29

U = Supply voltage · f = Frequency · n = Speed (rpm) · P_{ed} = Power input · I = Current draw · qv = Air flow · p_{fs} = Pressure increase

