

R1G120-AD13-20

EC centrifugal fan

backward-curved, single-intake



R1G120-AD13-20 ebmpapst Datasheet FansCo

sales@fansco.com

www.fansco.com

Nominal data

Type	R1G120-AD13-20	
Motor	M1G045-BE	
Nominal voltage	VDC	24
Nominal voltage range	VDC	16 .. 28
Speed (rpm)	min ⁻¹	4060
Power consumption	W	26
Current draw	A	1.2
Min. ambient temperature	°C	-25
Max. ambient temperature	°C	50

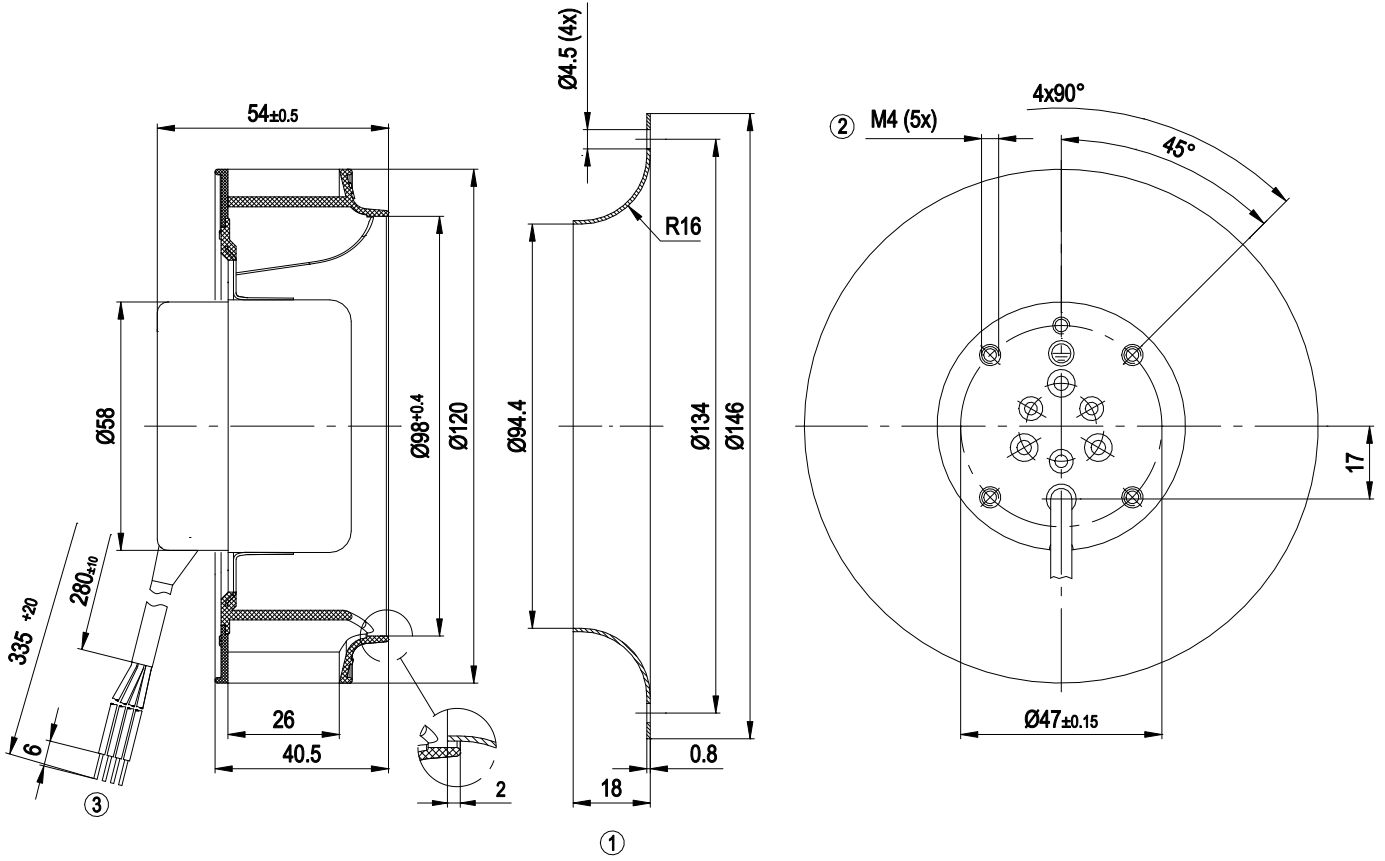
ml = Max. load · me = Max. efficiency · fa = Free air · cs = Customer specification · ce = Customer equipment
Subject to change



Technical description

Weight	0.5 kg
Size	120 mm
Motor size	45
Rotor surface	Galvanized
Impeller material	PA66 plastic UL V0
Number of blades	9
Direction of rotation	Clockwise, viewed toward rotor
Degree of protection	IP44
Insulation class	"B"
Moisture (F) / Environmental (H) protection class	H1
Max. permitted ambient temp. for motor (transport/storage)	+80 °C
Min. permitted ambient temp. for motor (transport/storage)	-40 °C
Installation position	Shaft horizontal or rotor on bottom; rotor on top on request
Condensation drainage holes	On rotor side
Mode	S1
Motor mounting	Ball bearing
Technical features	<ul style="list-style-type: none"> - Tach output - Soft start - Control input 0-10 VDC / PWM
Motor protection	Reverse polarity and locked-rotor protection
With cable	Lateral
Conformity with standards	EN 60950-1

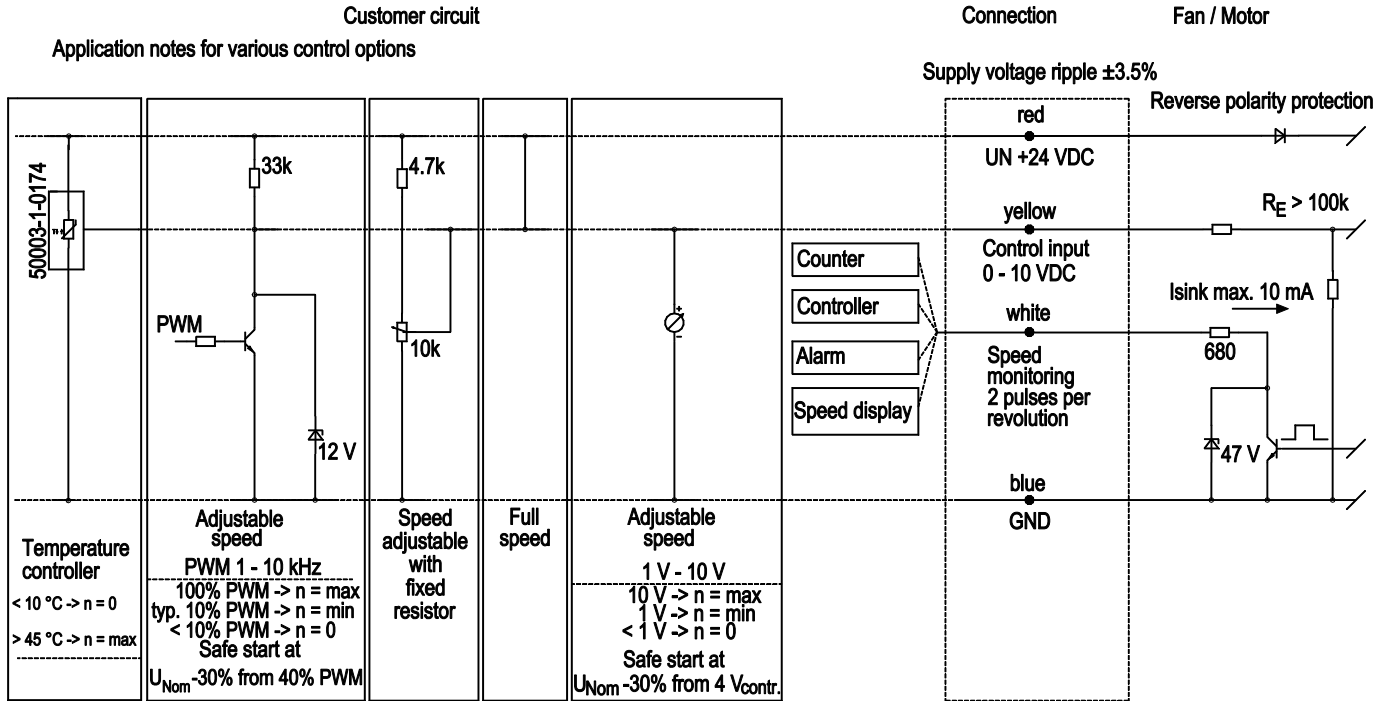
Product drawing



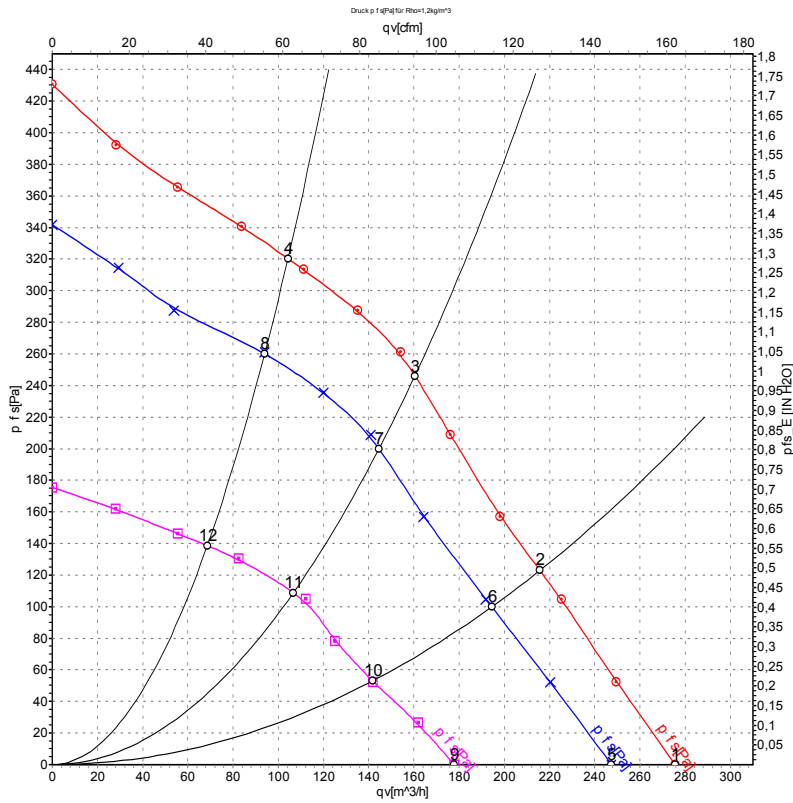
1	Accessory part: inlet ring 96120-2-4013 not included in scope of delivery
2	Max. clearance for screw 5 mm
3	Cable PVC AWG22, 4x crimped splices



Connection diagram



Curves: Air performance



Measurement: LU-57724-1
 Measurement: LU-57723-1
 Measurement: LU-57725-1

Air performance measured according to ISO 5801 installation category A. For detailed information on the measurement setup, contact ebm-papst. Intake sound level: Sound power level according to ISO 13347 / sound pressure level measured at 1 m distance from fan axis. The values given are valid under the specified measuring conditions and may vary due to conditions of installation. For deviations from the standard configuration, the parameters have to be checked on the installed unit.

Measured values

	U	n	P _{ed}	I	q _v	p _{fs}	q _v	p _{fs}
	V	min ⁻¹	W	A	m ³ /h	Pa	cfm	in. wg
1	28	4525	38	1.51	275	0	160	0.00
2	28	4510	38	1.52	215	123	125	0.49
3	28	4605	37	1.46	160	246	95	0.99
4	28	4780	34	1.35	105	320	60	1.28
5	24	4060	26	1.20	245	0	145	0.00
6	24	4055	28	1.30	195	100	115	0.40
7	24	4140	27	1.24	145	200	85	0.80
8	24	4275	25	1.15	95	260	55	1.04
9	16	2975	12	0.82	180	0	105	0.00
10	16	2965	12	0.83	140	52	85	0.21
11	16	3010	11	0.80	105	110	65	0.44
12	16	3095	10	0.74	70	139	40	0.56

U = Power supply · n = Speed (rpm) · P_{ed} = Power consumption · I = Current draw · q_v = Air flow · p_{fs} = Pressure increase

