

EC centrifugal fan

forward curved, single inlet

R1G085-AB05-01 ebmpapst Datasheet

sales@fansco.com

www.fansco.com

Limited partnership · Headquarters Muldingen
County court Stuttgart · HRA 590344

General partner Elektrobau Muldingen GmbH · Headquarters Muldingen
County court Stuttgart · HRB 590142

Nominal data

Type	R1G085-AB05-01	
Motor	M1G045-BE	
Nominal voltage	VDC	24
Nominal voltage range	VDC	16 .. 28
Type of data definition		fa
Speed (rpm)	min ⁻¹	2850
Power input	W	14
Min. ambient temperature	°C	-25
Max. ambient temperature	°C	60

ml = Max. load · me = Max. efficiency · fa = Running at free air · cs = Customer specs · cu = Customer unit
Subject to alterations



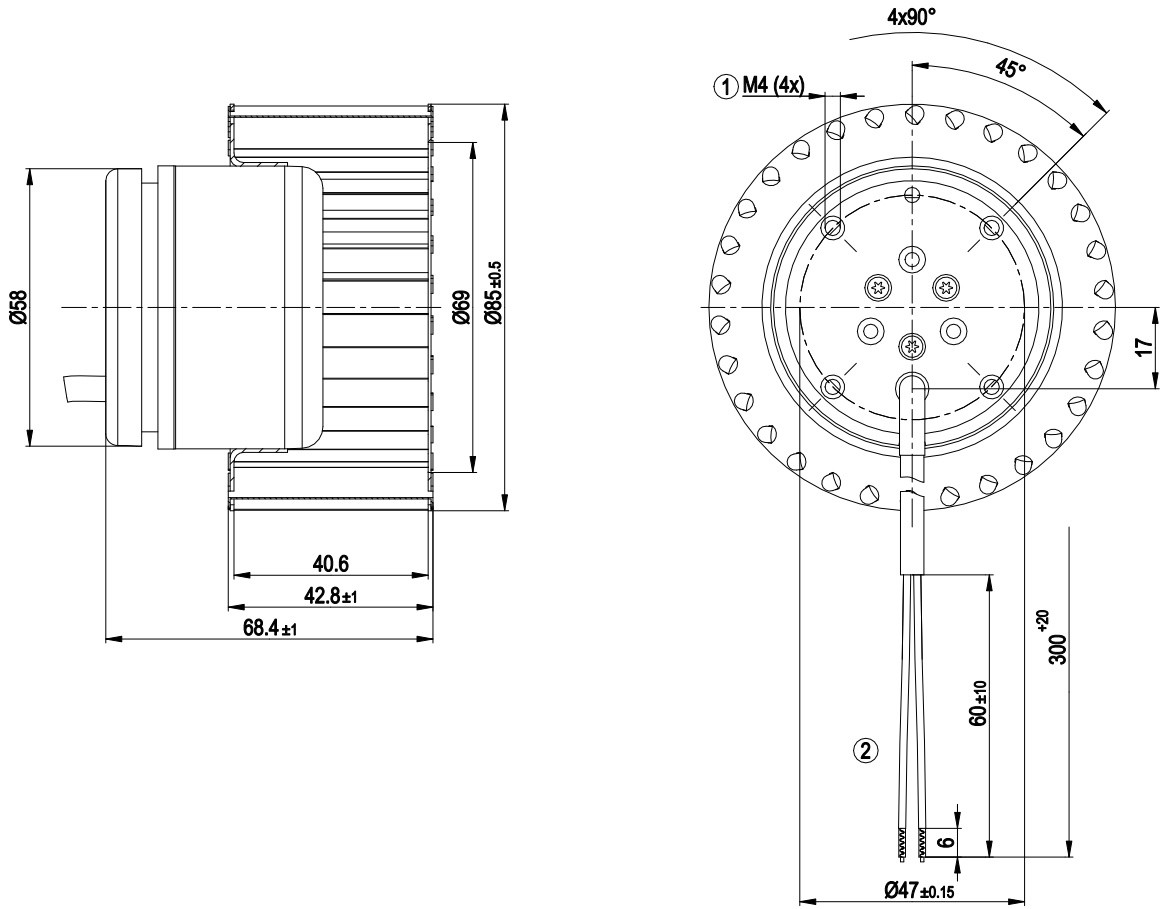
Technical features

Mass	0.5 kg
Size	85 mm
Surface of rotor	Galvanised
Material of electronics housing	Die-cast aluminium
Material of impeller	Sheet steel, galvanised
Direction of rotation	Clockwise, seen on rotor
Type of protection	IP 22
Insulation class	"B"
Humidity (F)/environmental protection class (H)	H0 - dry environment
Max. permissible ambient motor temp. (transp./ storage)	+80 °C
Min. permissible ambient motor temp. (transp./storage)	-40 °C
Mounting position	Any
Condensate discharge holes	None
Operation mode	S1
Motor bearing	Ball bearing
Technical features	<ul style="list-style-type: none"> - Tach output - Soft start - Control input 0-10 VDC / PWM
Motor protection	Reverse polarity and locked-rotor protection
Cable exit	Axial
Protection class	I (if protective earth is connected by customer)
Product conforming to standard	EN 60950-1
Approval	EAC

EC centrifugal fan

forward curved, single inlet

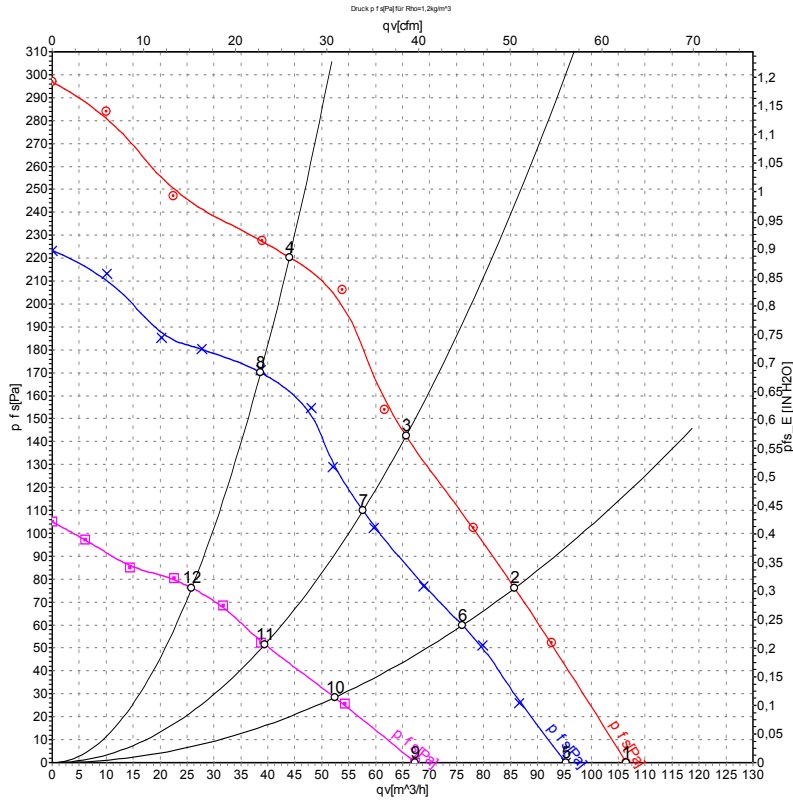
Product drawing



- | | |
|---|---|
| 1 | Thread reach max. 5 mm |
| 2 | Connection line PVC AWG22, 4x lead tips crimped |



Charts: Air flow



Measurement: LU-39691-1
 Measurement: LU-39690-1
 Measurement: LU-39692-1

Air performance measured as per ISO 5801 Installation category A. For detailed information on the measuring set-up, please contact ebm-papst. Suction-side noise levels: LwA measured as per ISO 13347 / LpA measured with 1m distance to fan axis. The values given are valid under the measuring conditions mentioned above and may vary according to the actual installation situation. With any deviation from the standard set-up, the specific values have to be checked and reviewed with the unit installed.

Measured values

	U	n	P _{ed}	I	q _v	P _{fs}	q _v	P _{fs}
	V	min ⁻¹	W	A	m ³ /h	Pa	cfm	inH ₂ O
1	28	3205	19	0.74	105	0	60	0.00
2	28	3405	17	0.66	85	76	50	0.31
3	28	3605	15	0.58	65	141	40	0.57
4	28	3845	12	0.51	45	220	25	0.88
5	24	2850	14	0.64	95	0	55	0.00
6	24	3030	12	0.57	75	60	45	0.24
7	24	3200	10	0.51	60	110	35	0.44
8	24	3400	8.8	0.45	40	170	25	0.68
9	16	2045	5.9	0.44	65	0	40	0.00
10	16	2155	5.1	0.40	50	29	30	0.12
11	16	2245	4.4	0.37	40	51	25	0.20
12	16	2345	3.9	0.35	25	76	15	0.31

U = Supply voltage · n = Speed (rpm) · P_{ed} = Power input · I = Current draw · q_v = Air flow · P_{fs} = Pressure increase

