

QLZ06/3000-3038

# AC tangential blower

forward curved



QLZ06/3000-3038 ebmpapst Datasheet  
sales@fansco.com  
www.fansco.com

## Nominal data

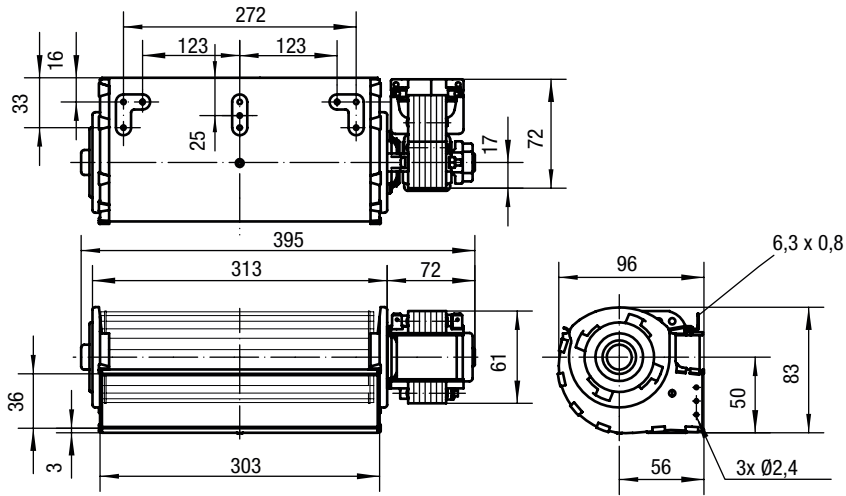
Type	QLZ06/3000-3038	
Nominal voltage	[VAC]	230
Frequency	[Hz]	50
Speed	[min <sup>-1</sup> ]	1600
Power input	[W]	45
Current draw	[A]	0.35
Min. ambient temperature	[°C]	0
Max. ambient temperature	[°C]	60
Air flow	[m <sup>3</sup> /h]	230
Back pressure	[Pa]	60

ml = max. load · me = max. efficiency · rfa = running at free air · cs = customer specs · cu = customer unit  
Subject to alterations

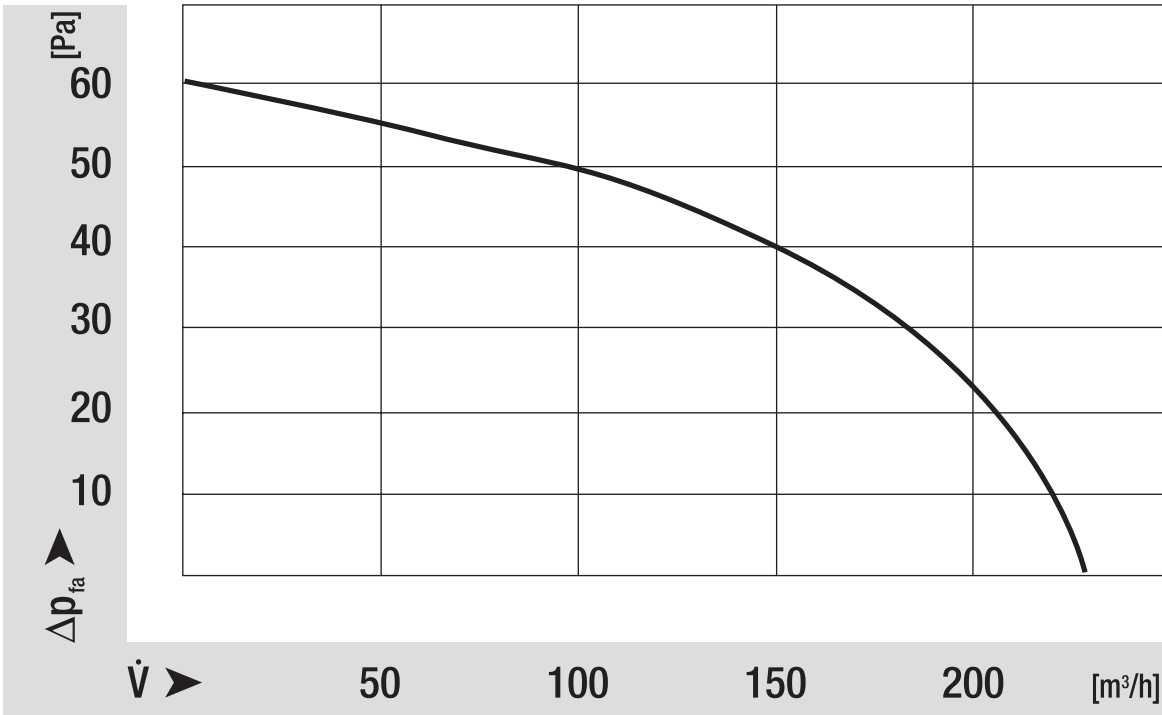
## Technical features

<b>Dimensions</b>	60 mm
<b>Connection line</b>	Flat plug 6.3 x 0.8
<b>Mounting position</b>	Horizontal or vertical with motor at bottom
<b>Insulation class</b>	B F or H also available on request
<b>Mass</b>	1.70 kg

## Product drawing



## Charts: Air flow



## Charts: Speed

