

QLZ06/0030-3038

AC tangential blower

forward curved



QLZ06/0030-3038 ebmpapst Datasheet FansCo
sales@fansco.com
www.fansco.com

Nominal data

Type	QLZ06/0030-3038	
Phase		1~
Nominal voltage	VAC	230
Frequency	Hz	50
Speed	min ⁻¹	1600
Power input	W	45
Current draw	A	0.35
Min. ambient temperature	°C	0
Max. ambient temperature	°C	60
Air flow	m ³ /h	230
Pressure increase	Pa	60

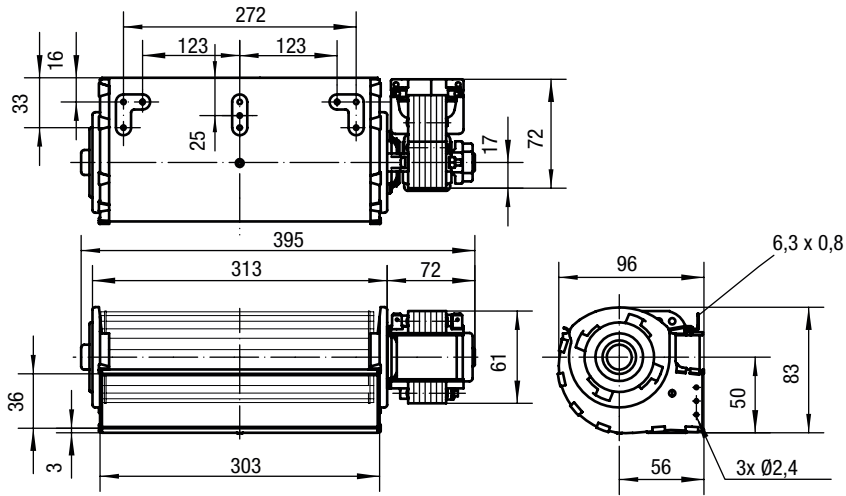
ml = Max. load · me = Max. efficiency · fa = Running at free air · cs = Customer specs · cu = Customer unit
Subject to alterations



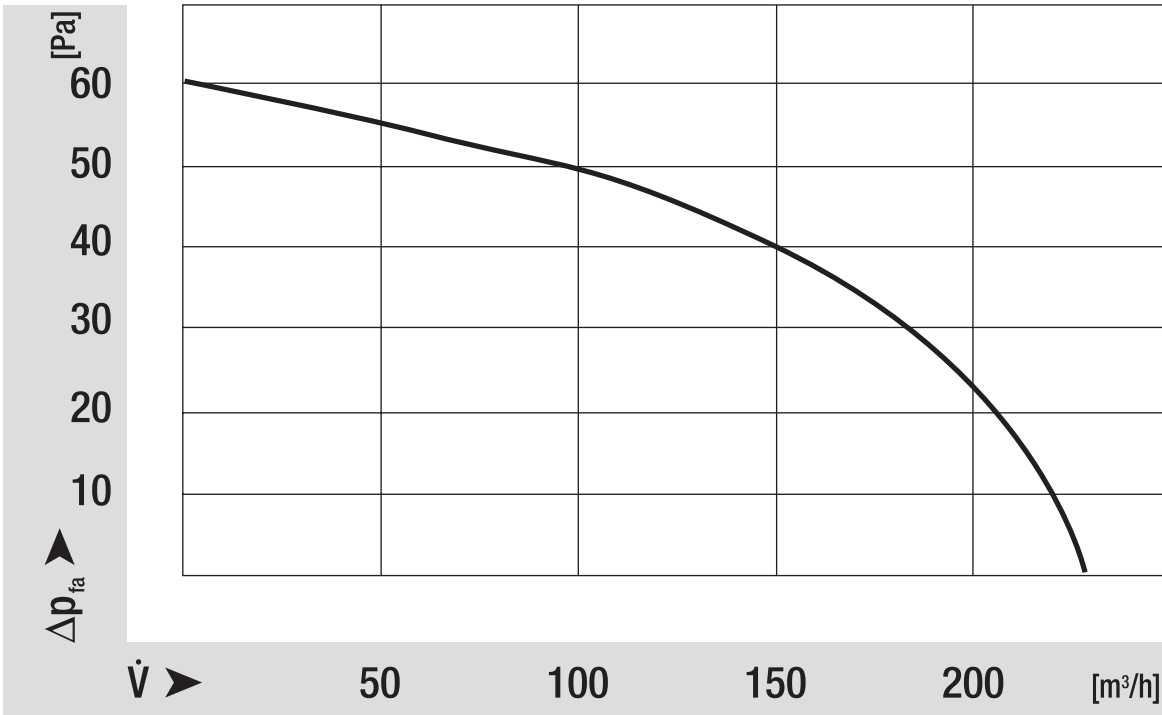
Technical features

Mass	1.70 kg
Dimensions	60 mm
Insulation class	B F or H also available on request
Mounting position	Horizontal or vertical with motor at bottom
Connection line	Flat plug 6.3 x 0.8

Product drawing



Charts: Air flow



Charts: Speed

