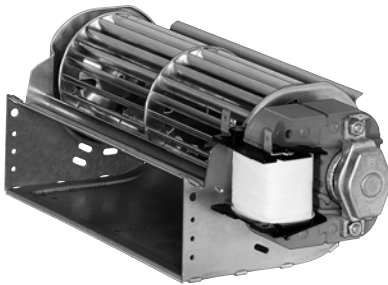


QLN65/2400-3030

AC tangential blower

forward curved



QLN65/2400-3030 ebmpapst Datasheet FansCo

sales@fansco.com
www.fansco.com

Nominal data

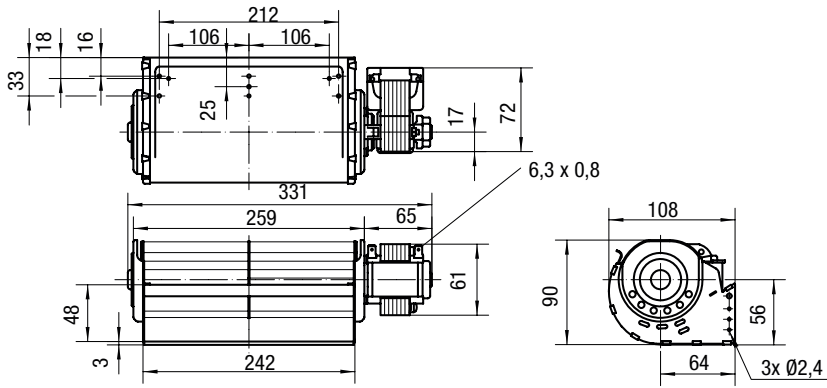
Type	QLN65/2400-3030	
Phase		1~
Nominal voltage	VAC	230
Frequency	Hz	50
Speed	min ⁻¹	1200
Power input	W	38
Current draw	A	.36
Min. ambient temperature	°C	0
Max. ambient temperature	°C	60
Air flow	m ³ /h	220
Back pressure	Pa	80

ml = max. load · me = max. efficiency · rfa = running at free air · cs = customer specs · cu = customer unit
Subject to alterations

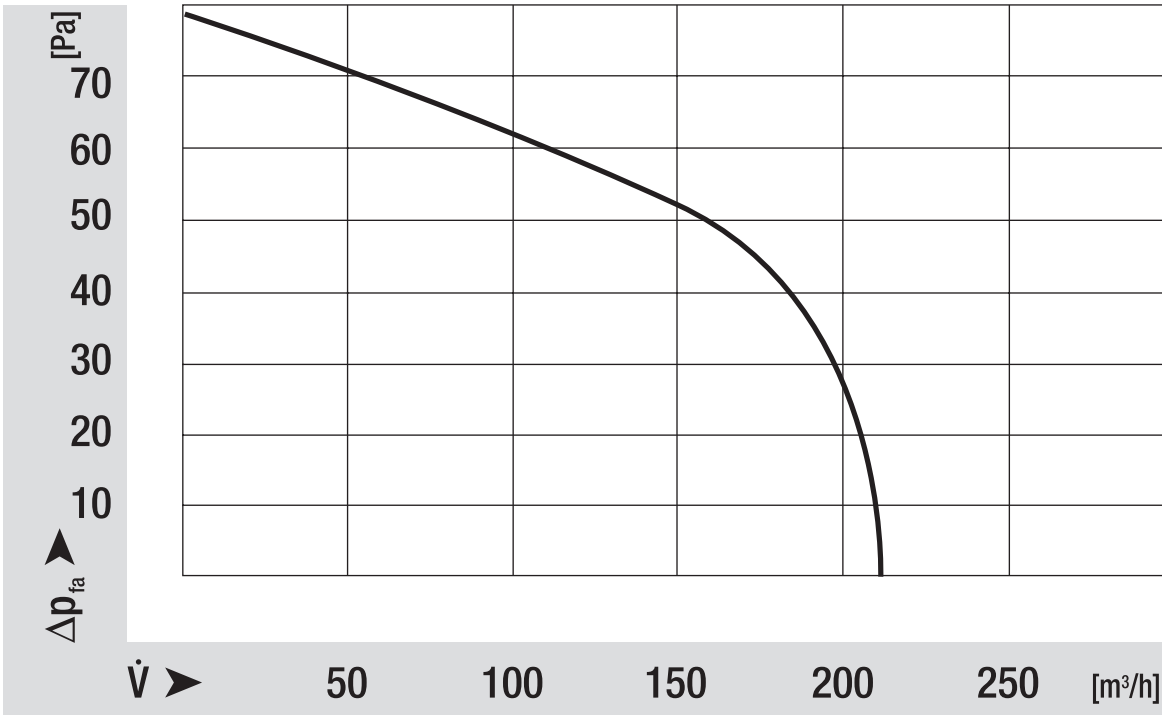
Technical features

Dimensions	65 mm
Connection line	Flat plug 6.3 x 0.8
Mounting position	Horizontal or vertical with motor at bottom
Insulation class	B F or B also available on request
Mass	1.45 kg

Product drawing



Charts: Air flow



Charts: Speed

