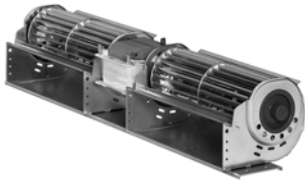


QLN65/1212-3030

# AC tangential blower

forward-curved



QLN65/1212-3030 ebmpapst Datasheet FansCo

sales@fansco.com  
www.fansco.com

## Nominal data

Type	QLN65/1212-3030	
Phase		1~
Nominal voltage	VAC	230
Frequency	Hz	50
Speed	min <sup>-1</sup>	1900
Power consumption	W	54
Current draw	A	0.46
Min. ambient temperature	°C	0
Max. ambient temperature	°C	60
Air flow	m <sup>3</sup> /h	270
Pressure increase	Pa	85

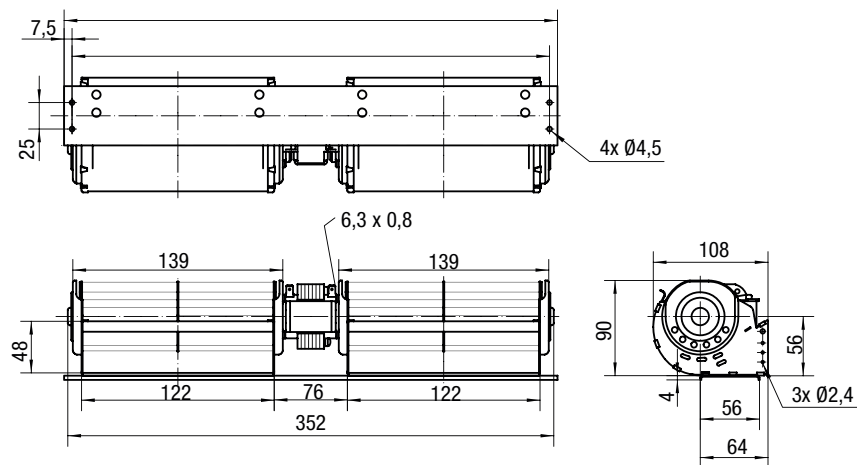
ml = Max. load · me = Max. efficiency · fa = Free air · cs = Customer specification · ce = Customer equipment  
Subject to change



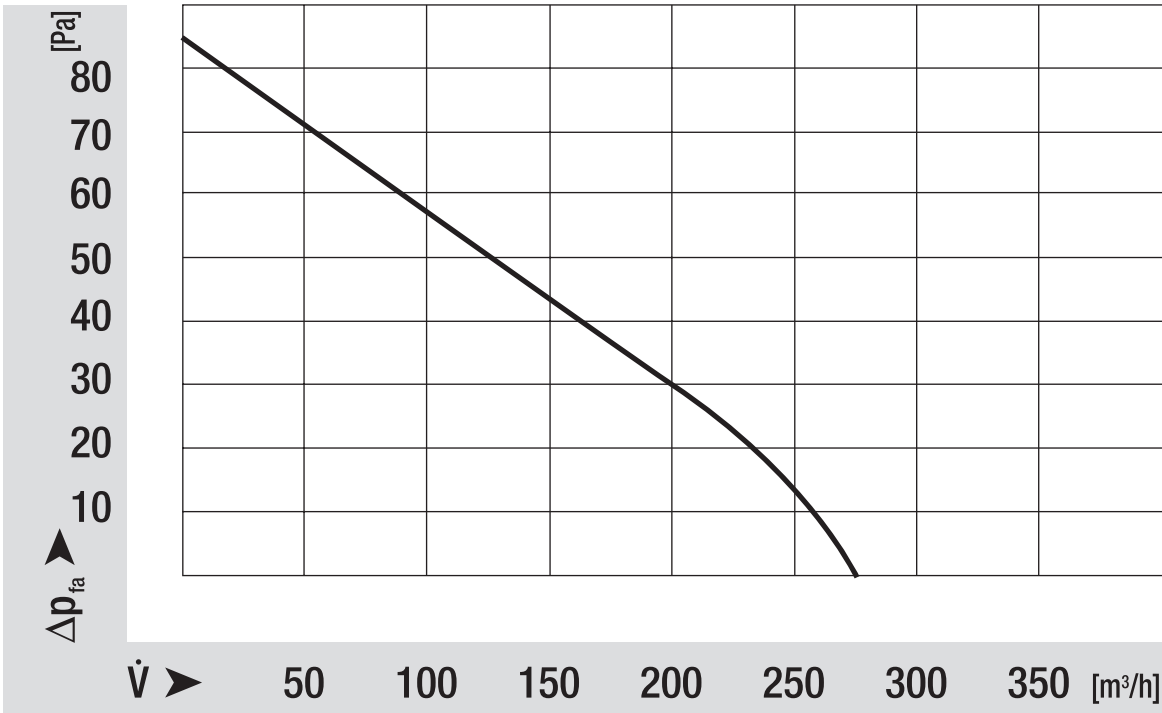
**Technical description**

<b>Weight</b>	1.7 kg
<b>Dimensions</b>	65 mm
<b>Insulation class</b>	B on request also F or H
<b>Installation position</b>	Horizontal
<b>Cable</b>	Flat plug 6.3 x 0.8

## Product drawing



## Curves: Air performance



Curves: Speed

