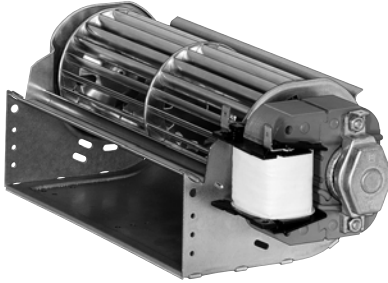


QLN65/1200-3015

AC tangential blower

forward-curved



QLN65/1200-3015 ebmpapst Datasheet FansCo

sales@fansco.com
www.fansco.com

Nominal data

Type	QLN65/1200-3015	
Phase		1~
Nominal voltage	VAC	230
Frequency	Hz	50
Speed	min ⁻¹	1300
Power consumption	W	14
Current draw	A	0.135
Min. ambient temperature	°C	0
Max. ambient temperature	°C	60
Air flow	m ³ /h	83
Pressure increase	Pa	50

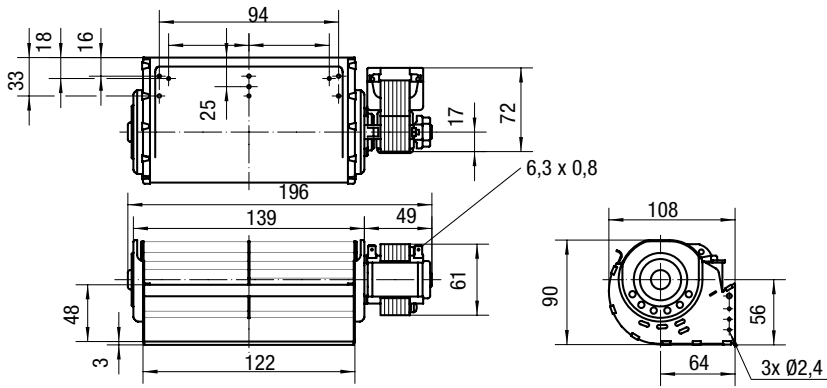
ml = Max. load · me = Max. efficiency · fa = Free air · cs = Customer specification · ce = Customer equipment
Subject to change



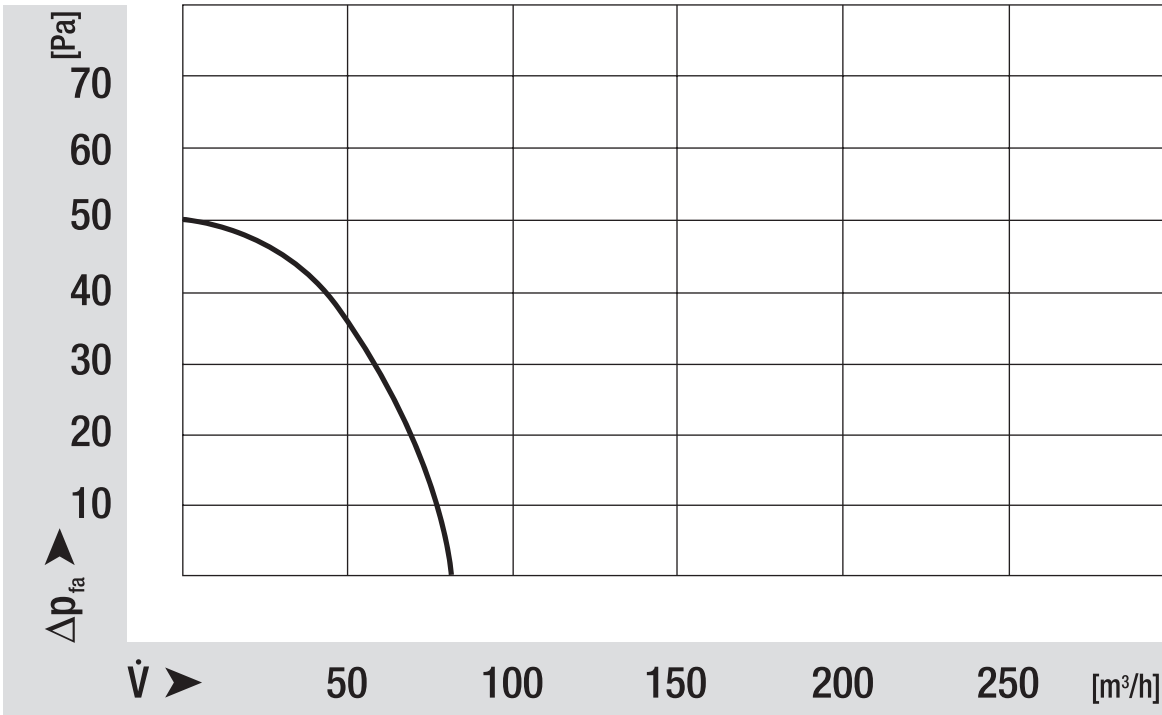
Technical description

Weight	0.90 kg
Dimensions	65 mm
Insulation class	B on request also F or H
Installation position	Horizontal or vertical with motor on bottom
Cable	Flat plug 6.3 x 0.8

Product drawing



Curves: Air performance



Curves: Speed

