

QLK45/0018-2518

# AC tangential blower

forward-curved



QLK45/0018-2518  
sales@fansco.com  
www.fansco.com

ebmpapst

Datasheet

## Nominal data

| Type                     | QLK45/0018-2518   |       |
|--------------------------|-------------------|-------|
| Phase                    |                   | 1~    |
| Nominal voltage          | VAC               | 230   |
| Frequency                | Hz                | 50    |
| Speed                    | min <sup>-1</sup> | 2350  |
| Power consumption        | W                 | 26    |
| Current draw             | A                 | 0.245 |
| Min. ambient temperature | °C                | 0     |
| Max. ambient temperature | °C                | 60    |
| Air flow                 | m <sup>3</sup> /h | 125   |
| Pressure increase        | Pa                | 67    |

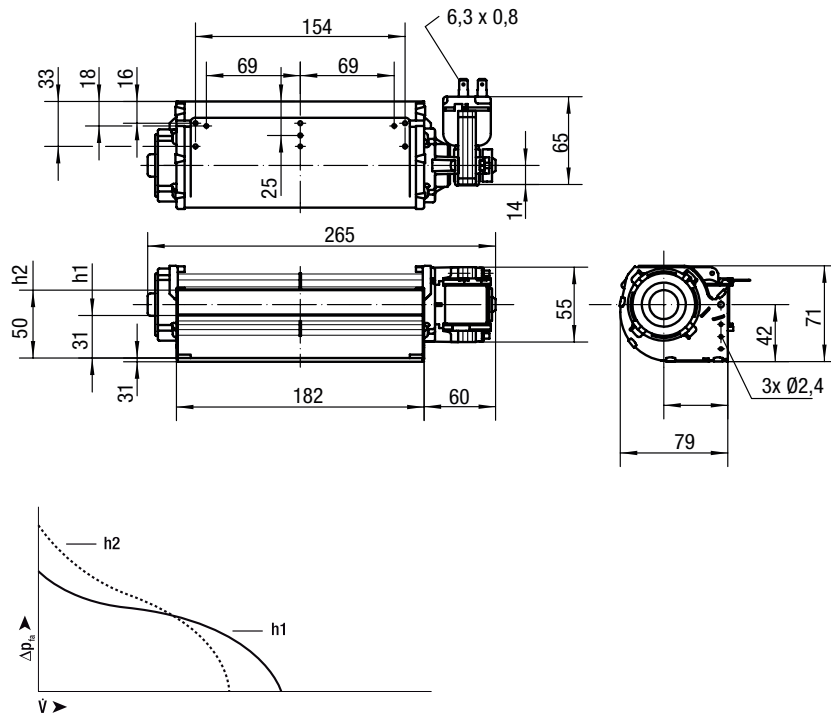
ml = Max. load · me = Max. efficiency · fa = Free air · cs = Customer specification · ce = Customer equipment  
Subject to change



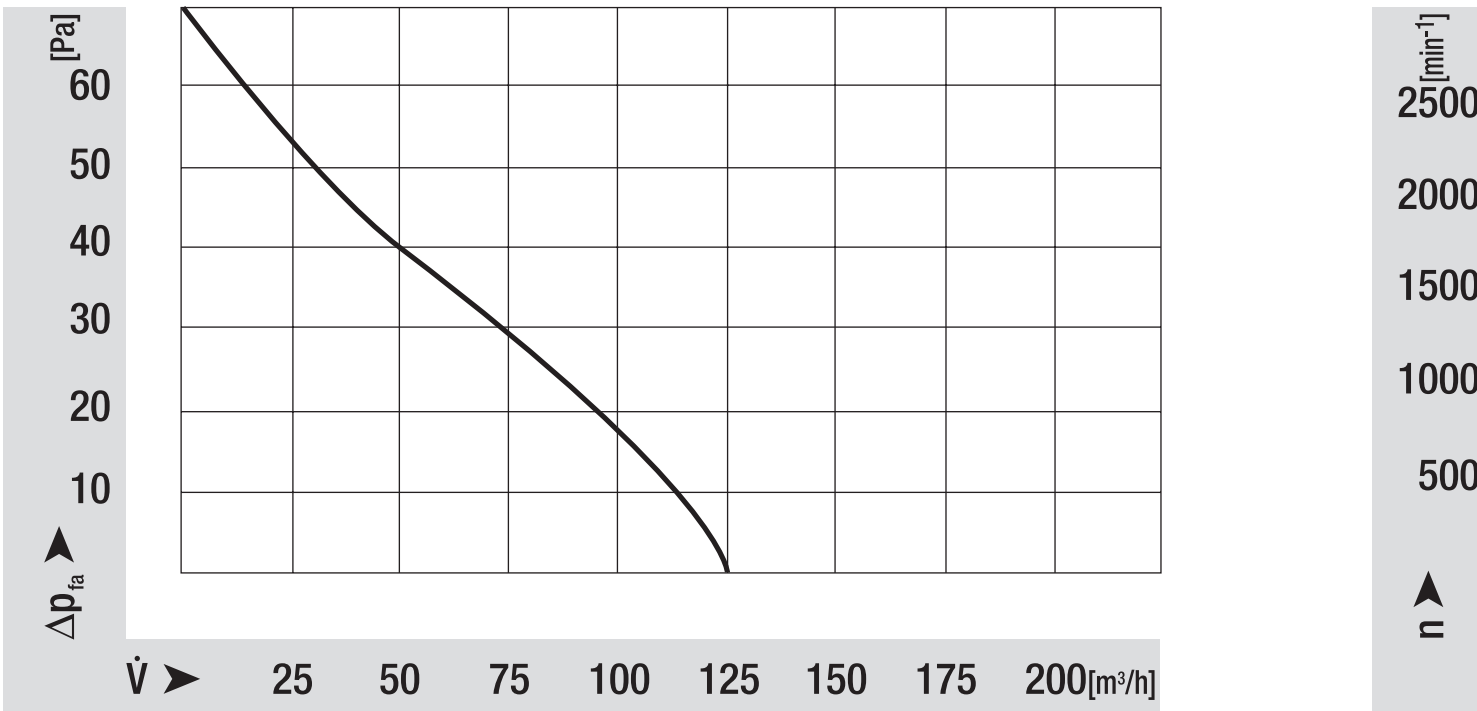
**Technical description**

|                              |   |
|------------------------------|---|
| <b>Weight</b>                | 0.85 kg                                     |
| <b>Dimensions</b>            | 45 mm                                       |
| <b>Insulation class</b>      | "B"<br>on request also F or H               |
| <b>Installation position</b> | Horizontal or vertical with motor on bottom |
| <b>Cable</b>                 | Flat plug 6.3 x 0.8                         |

## Product drawing



## Curves: Air performance



Curves: Speed

