

QL4/2525-2124

AC tangential blower

forward-curved



QL4/2525-2124 ebmpapst Datasheet FansCo

sales@fansco.com
www.fansco.com

Nominal data

Type	QL4/2525-2124	
Phase		1~
Nominal voltage	VAC	230
Frequency	Hz	50
Speed	min ⁻¹	1700
Power consumption	W	16
Current draw	A	0.135
Min. ambient temperature	°C	0
Max. ambient temperature	°C	60
Air flow	m ³ /h	180
Pressure increase	Pa	9

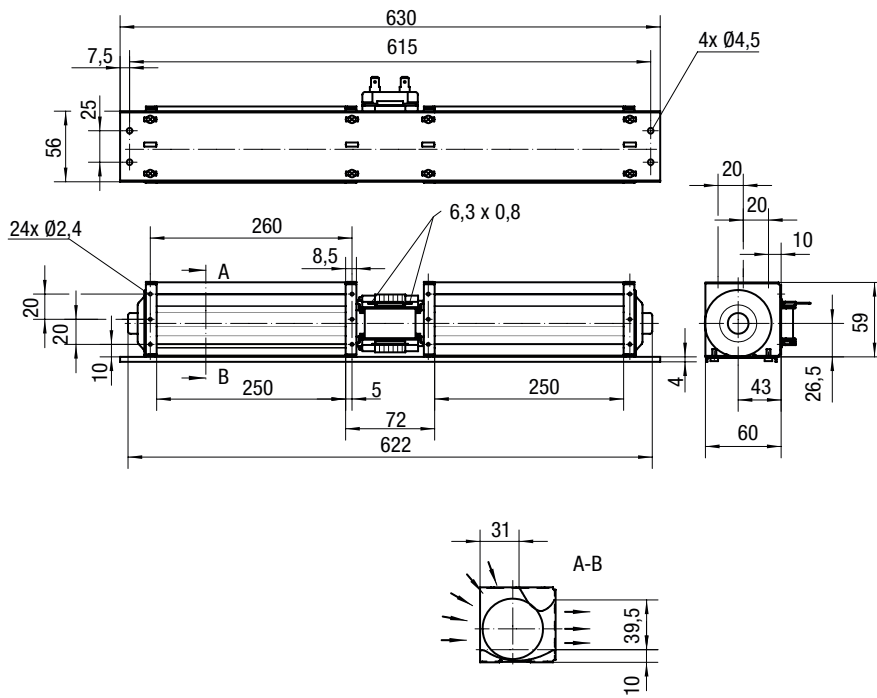
ml = Max. load · me = Max. efficiency · fa = Free air · cs = Customer specification · ce = Customer equipment
Subject to change



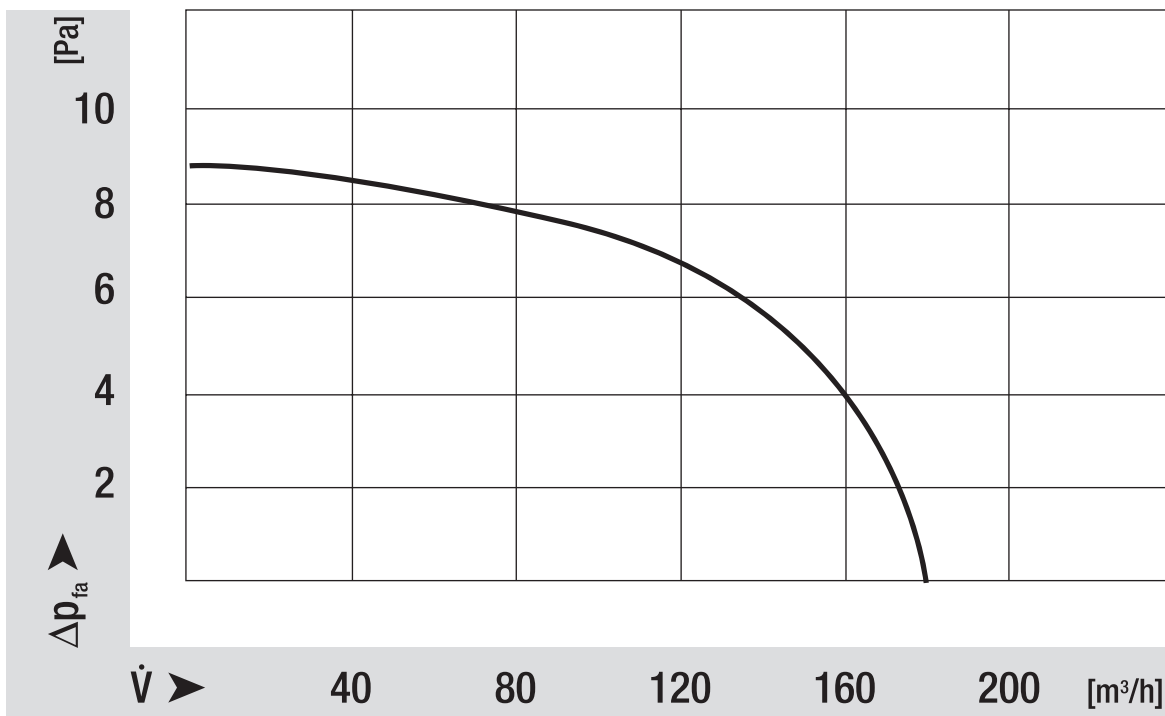
Technical description

Weight	1.3 kg
Dimensions	40 mm
Insulation class	B on request also F or H
Installation position	Horizontal
Cable	Flat plug 6.3 x 0.8

Product drawing



Curves: Air performance



Curves: Speed

