

NRG137/2400-3633

# EC centrifugal fan

backward-curved, single-intake  
Gas blower for condensing boilers



NRG137/2400-3633 ebmpapst Datasheet FansCo  
sales@fansco.com  
www.fansco.com

## Nominal data

Type	NRG137/2400-3633	
Phase		1~
Nominal voltage	VAC	230
Nominal voltage range	VAC	220 .. 240
Frequency	Hz	50/60
Valid for approval/standard		VDE
Speed (rpm)	min <sup>-1</sup>	9000
Power consumption	W	190
Min. ambient temperature	°C	0
Air flow	m <sup>3</sup> /h	235
Pressure increase	Pa	3500

ml = Max. load · me = Max. efficiency · fa = Free air · cs = Customer specification · ce = Customer equipment  
Subject to change



# EC centrifugal fan

backward-curved, single-intake  
Gas blower for condensing boilers

## Technical description

<b>General description</b>	The values given only apply to the catalog type with item number 55667.33110
<b>Weight</b>	1.900 kg
<b>Dimensions</b>	210.1 x 168.9 x 150 mm
<b>Housing material</b>	Die-cast aluminum
<b>Degree of protection</b>	IP00
<b>Insulation class</b>	"H"
<b>Installation position</b>	Any
<b>Storage</b>	Ball bearing
<b>Motor protection</b>	Electronic locked-rotor and overload protection
<b>Protection class</b>	I (with customer connection of protective earth)
<b>Approval</b>	VDE, CE

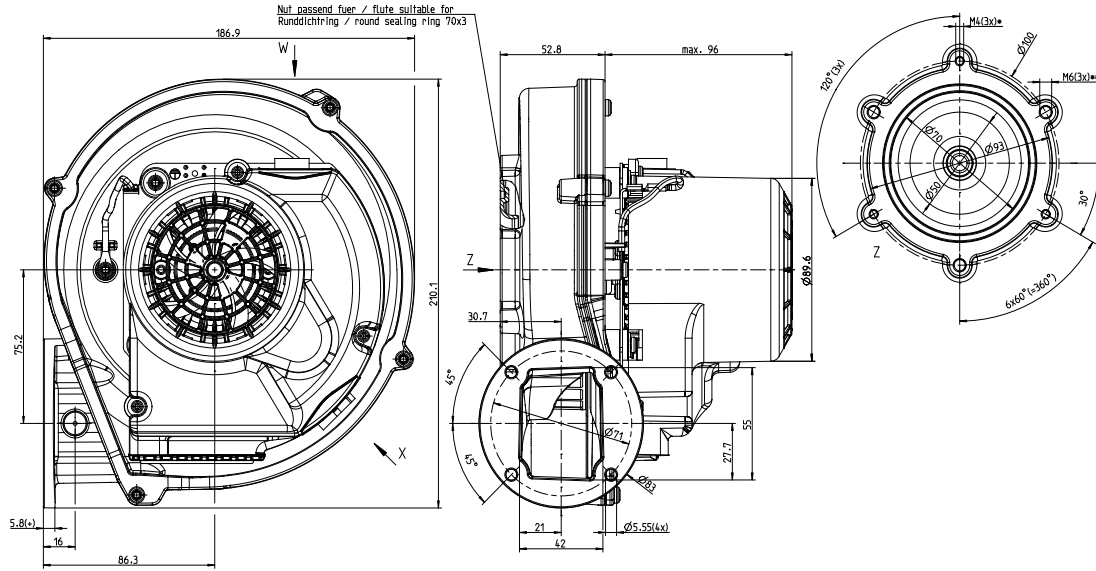


# EC centrifugal fan

backward-curved, single-intake

Gas blower for condensing boilers

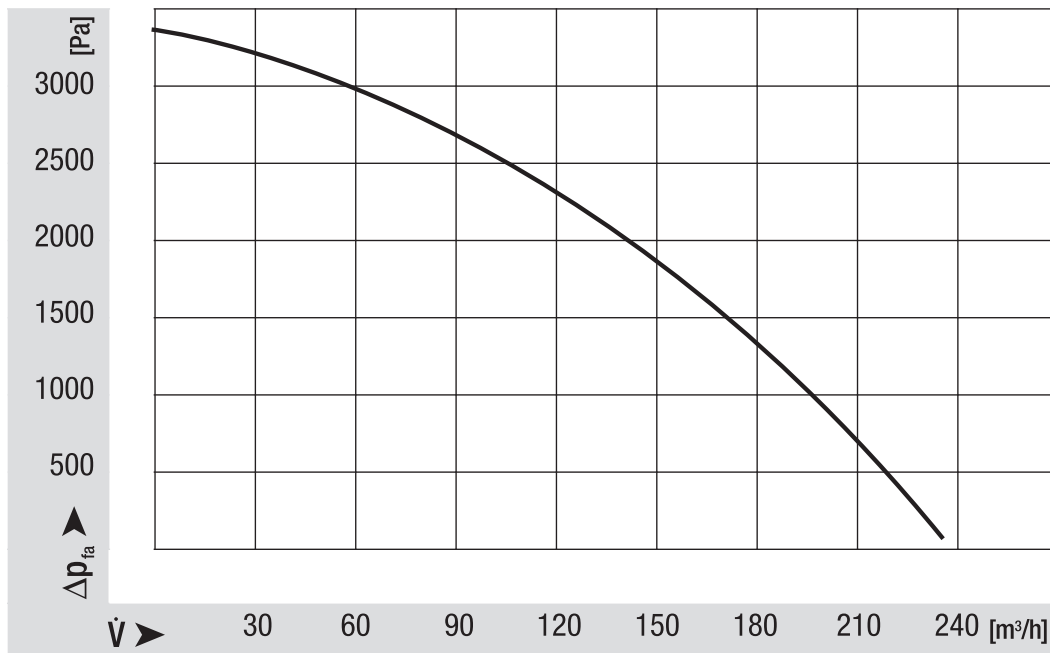
## Product drawing



# EC centrifugal fan

backward-curved, single-intake  
Gas blower for condensing boilers

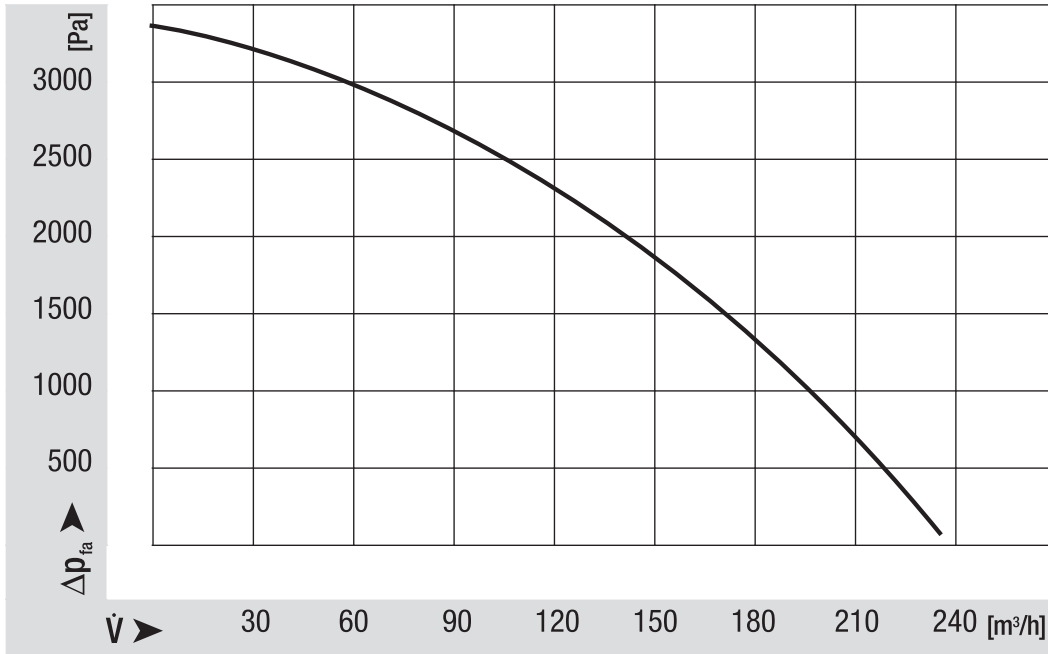
## Curves



# EC centrifugal fan

backward-curved, single-intake  
Gas blower for condensing boilers

## Curves: Air performance



# EC centrifugal fan

backward-curved, single-intake  
Gas blower for condensing boilers

## Curves: Speed (rpm)

