

M4S068-BF08-08 ebmpapst Datasheet FansCo

sales@fansco.com

www.fansco.com

Nominal data

Type	M4S068-BF08-08		
Motor	M4S068-BF		
Phase		1~	1~
Nominal voltage	VAC	230	230
Frequency	Hz	50	60
Type of data definition		me	me
Valid for approval / standard		CE	CE
Speed	min ⁻¹	1200	1400
Power input	W	28	25
Power output	W	5.8	5.3
Current draw	A	0.18	0.16
Rated torque	Ncm	4.6	3.6
Medium start-up torque	Ncm	2.5	1.5
Min. ambient temperature	°C	-25	-25
Max. ambient temperature	°C	65	75

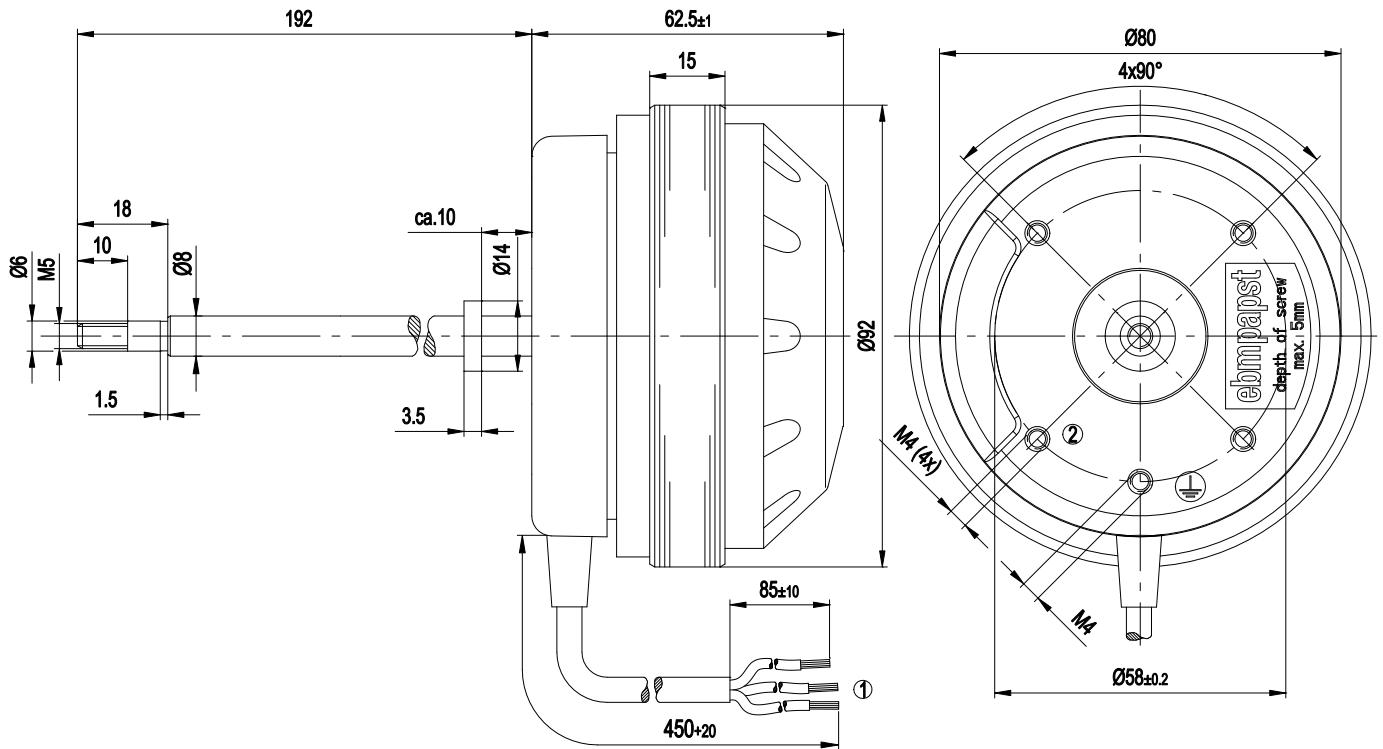
ml = max. load · me = max. efficiency · fa = running at free air · cs = customer specs · cu = customer unit
 Subject to alterations



Technical features

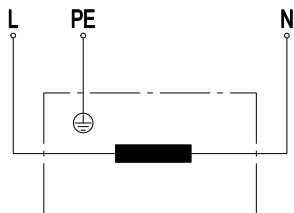
Mass	1.1 kg
Size	68 mm
Surface of rotor	Coated in black
Direction of rotation	Clockwise, seen on rotor
Type of protection	IP 44; Depending on installation and position
Insulation class	"B"
Humidity class	F1-2
Max. permissible ambient motor temp. (transp./ storage)	+ 80 °C
Min. permissible ambient motor temp. (transp./storage)	- 40 °C
Mounting position	Any
Condensate discharge holes	None
Operation mode	S1
Motor bearing	Ball bearing
Touch current acc. IEC 60990 (measuring network Fig. 4, TN system)	< 0.75 mA
Motor protection	Impedance protected
Cable exit	Lateral
Protection class	I (if protective earth is connected by customer)
Product conforming to standard	EN 60335-1; CE
Approval	CCC

Product drawing



- 1 Connection line PVC 3 x 0.5 mm², 3x tin-plated lead tips
- 2 Depth of screw max. 5 mm

Connection screen



L	blue	PE	green/yellow	N	brown
---	------	----	--------------	---	-------



Charts: Speed

